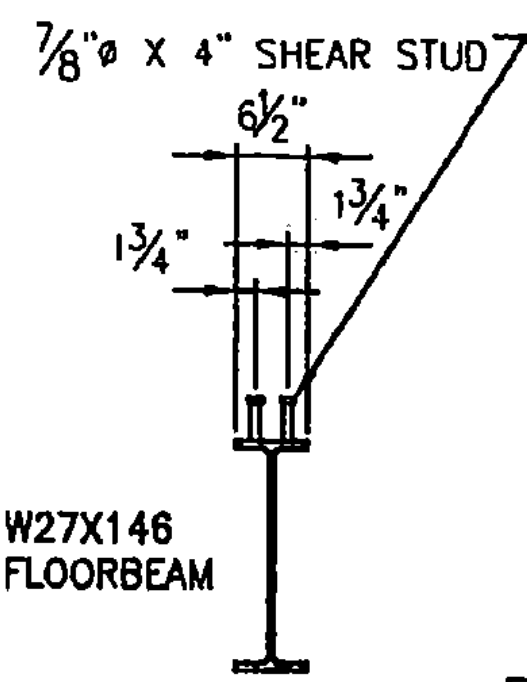
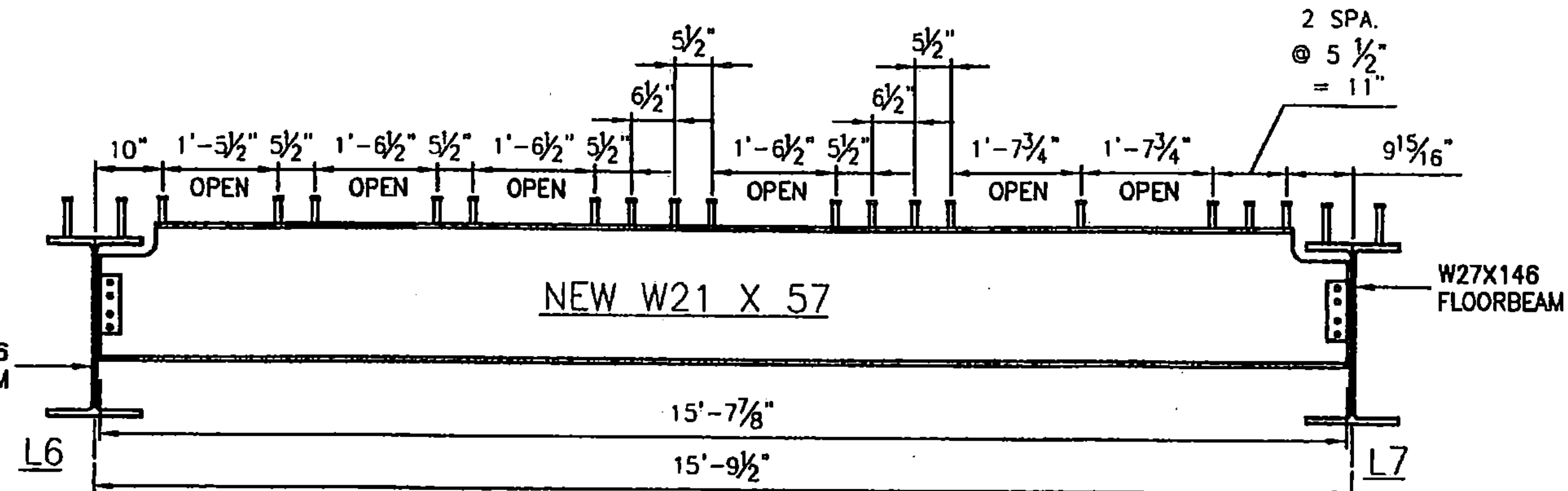


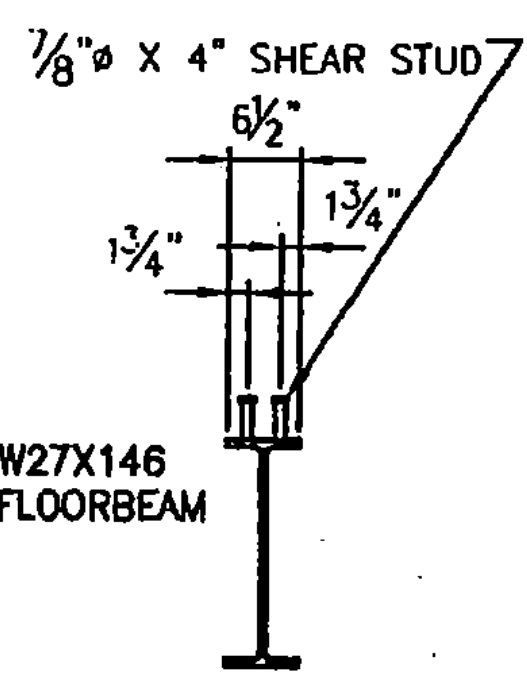
STRINGERS S1 & S2 ~ SHEAR STUD SPACING



TYPICAL STRINGER SECTION



STRINGER S3 ~ SHEAR STUD SPACING

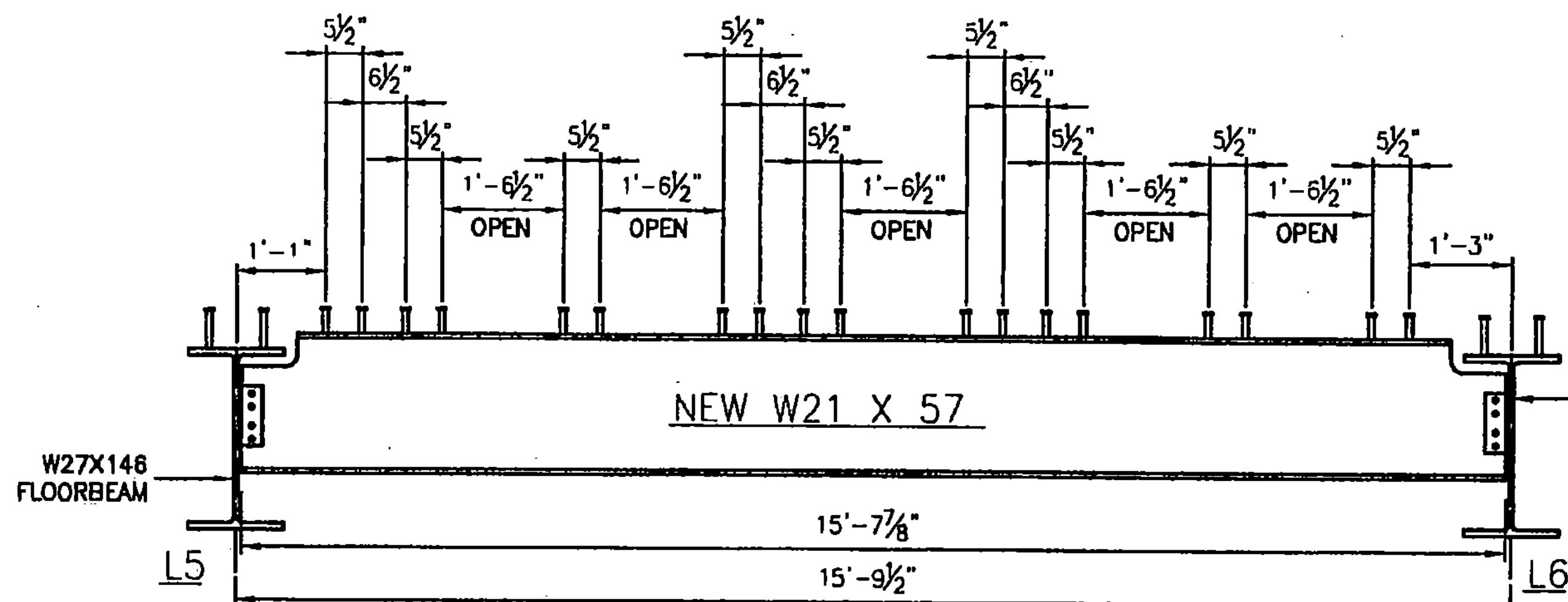


TYPICAL STRINGER SECTION

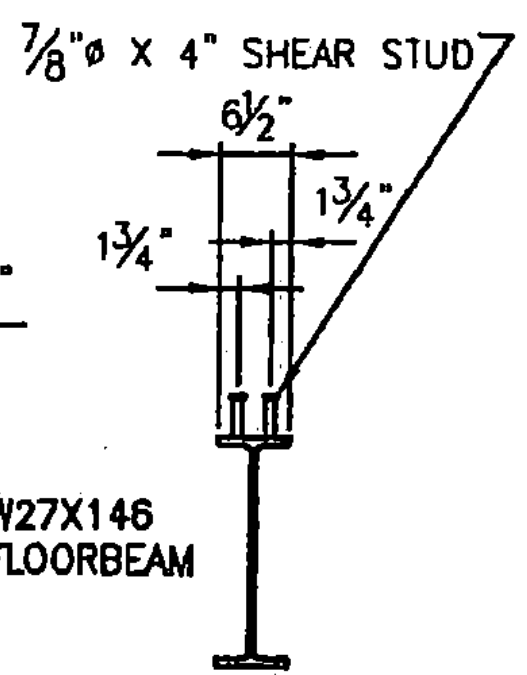
SHEAR STUD SPACING SHOULD BE VERIFIED BY STRUCTURAL STEEL SUPPLIER FOR COORDINATION.

OPEN AREAS ALONG STRINGER S3 ARE TO AVOIDED LEVELING PLATES WITHIN PANELS.

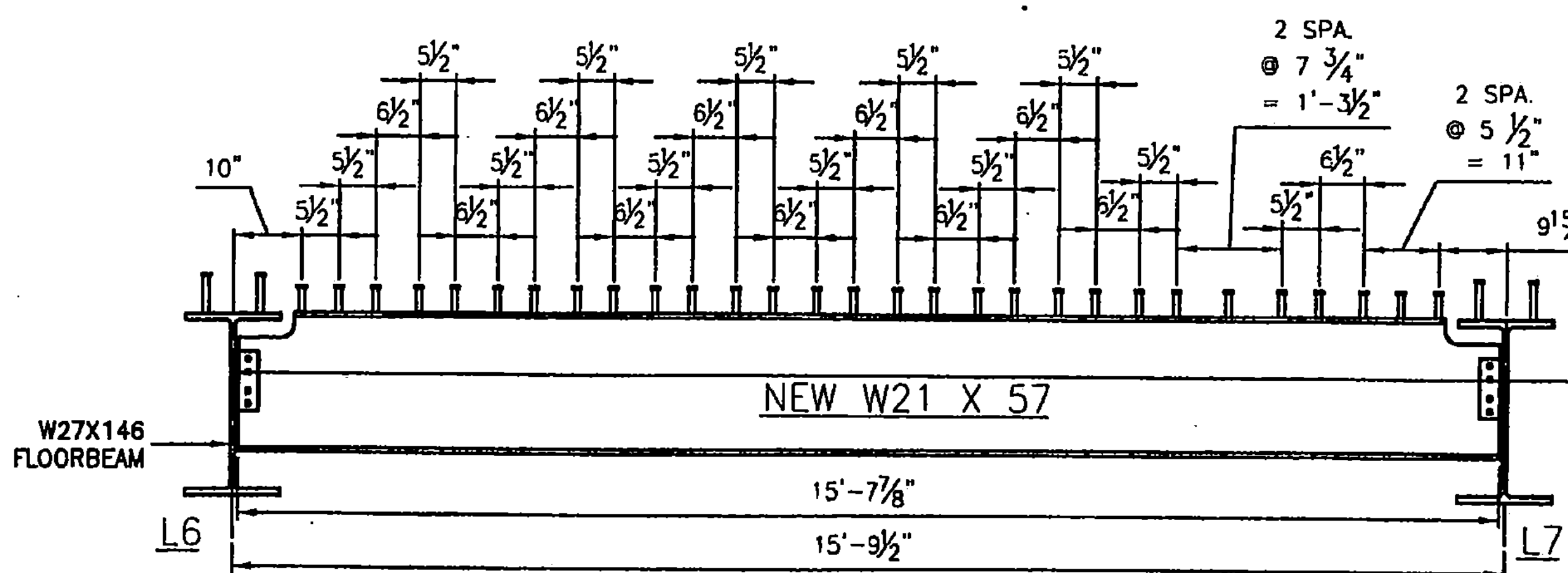
[N.S. NEAR SIDE] [F.S. FAR SIDE]



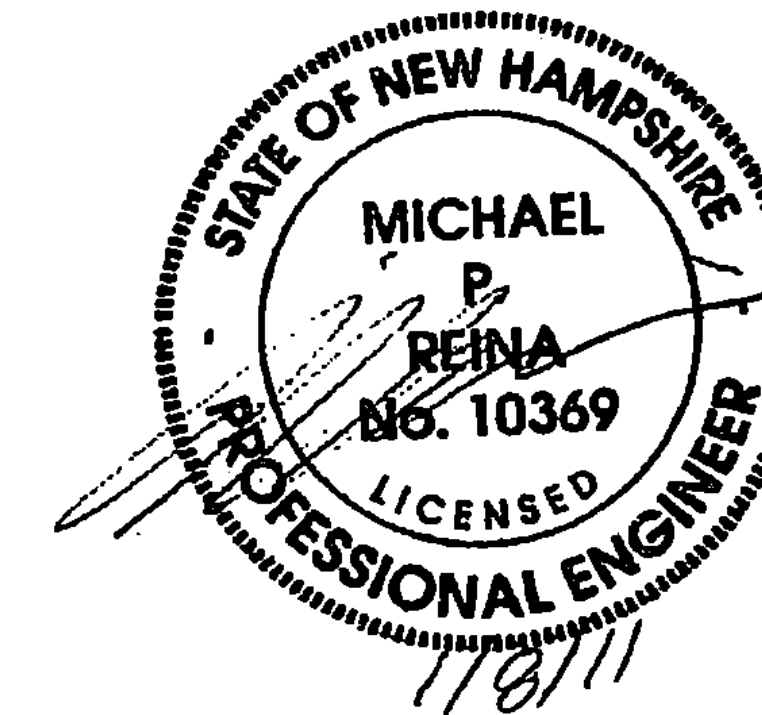
STRINGER S3 ~ SHEAR STUD SPACING



TYPICAL STRINGER SECTION



STRINGERS S1 & S2 ~ SHEAR STUD SPACING



RECEIVED
 OK'D BY JUT OK'D BY _____
 JAN 17 2011
 RESUBMIT _____ APPROVED
 BY KMH DATE 1/20/11

REV	DESCRIPTION	BY	DATE	DATE	DATE	DATE	DATE	DATE	DATE

APPROVED: _____

L. B. FOSTER CO.
 GENERAL OFFICE
 PITTSBURGH, PENNSYLVANIA 15220

FOR: MILLER CONSTRUCTION
 STATE OF VERMONT AGENCY OF TRANSPORTATION
 TOWN OF BRIDGEWATER, COUNTY OF WINDSOR
 VT. ROUTE 100A, BR14 PROJ. NO. BRS 0149 (4)
 SHEAR STUD LAY OUT FOR STRINGERS BEAMS

DATE BLJ 01/20/10 JOB NO. SD0339 SHEET NO. _____

~~190~~ 191 PRE-FAB DECK PANELS