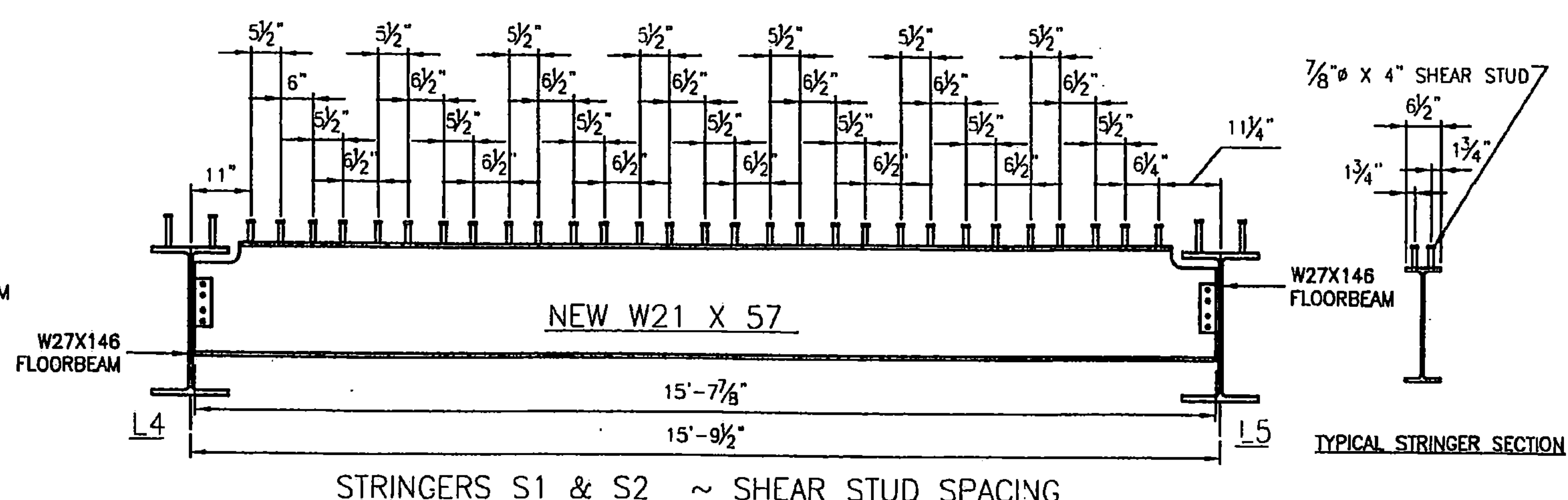
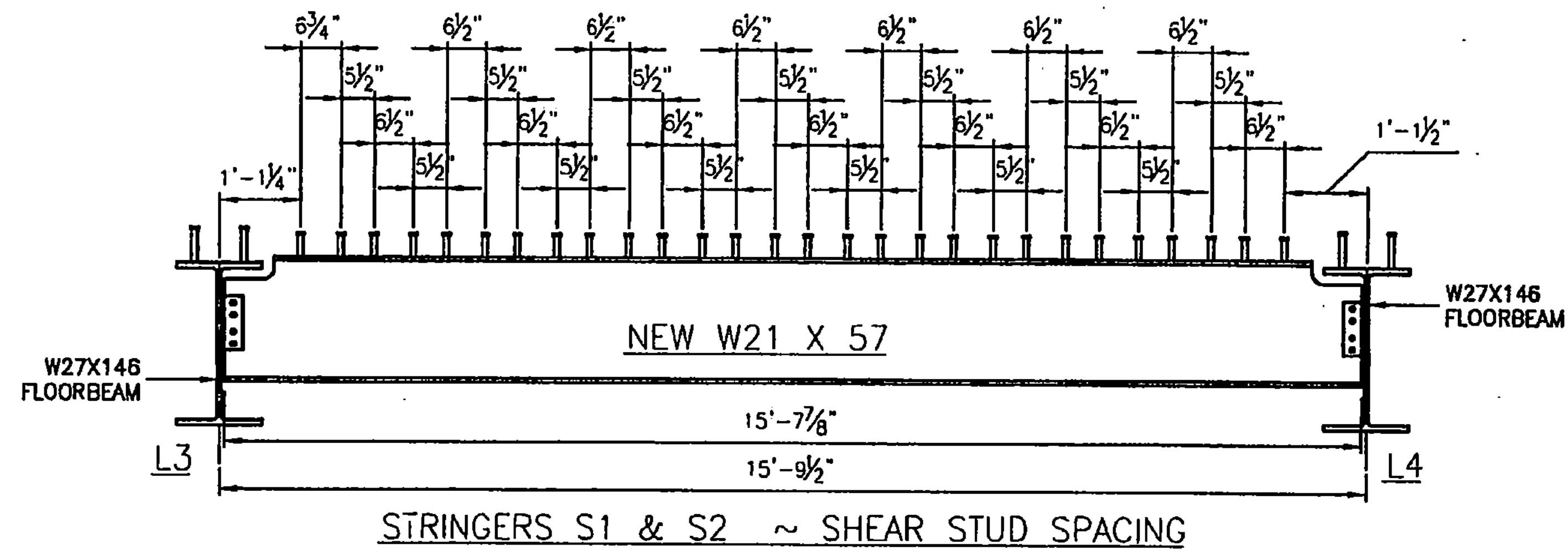
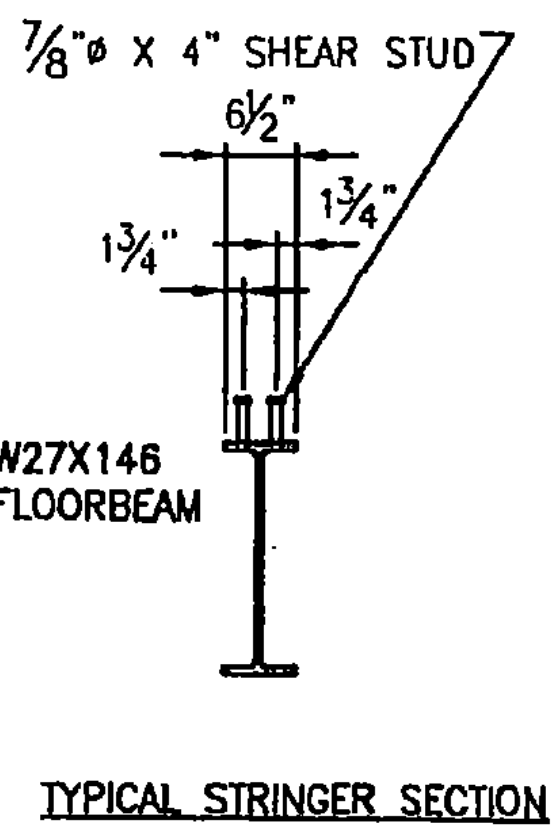


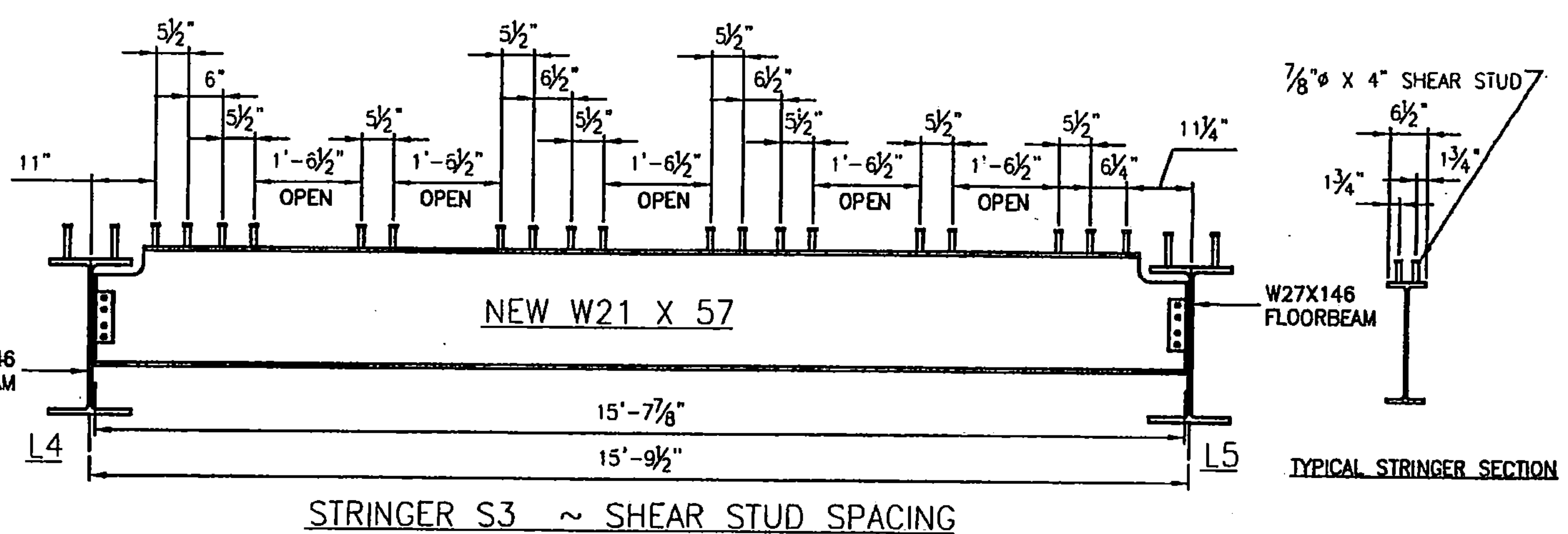
STRINGER S3 ~ SHEAR STUD SPACING



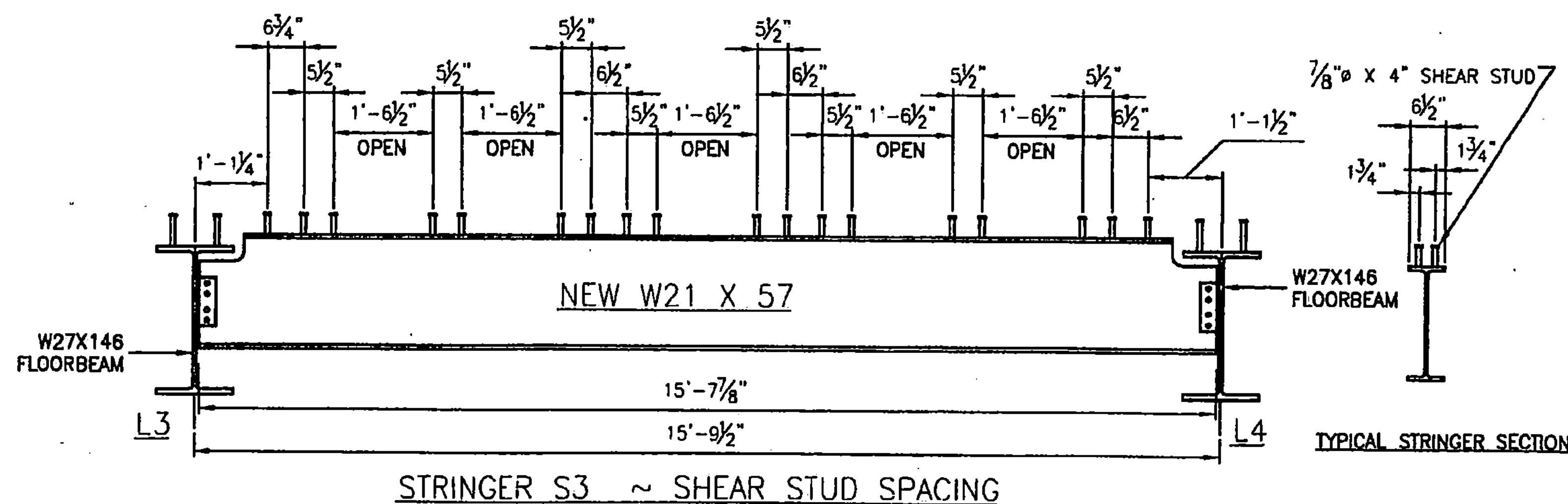
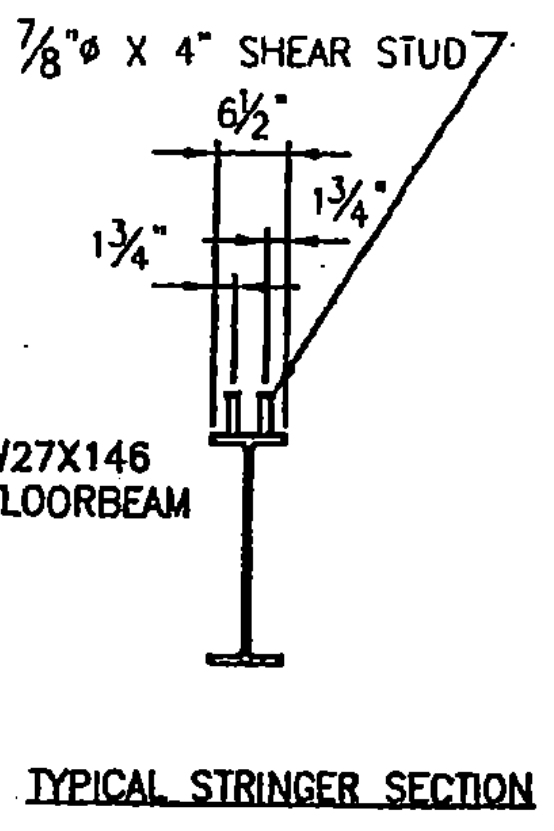
STRINGERS S1 & S2 ~ SHEAR STUD SPACING



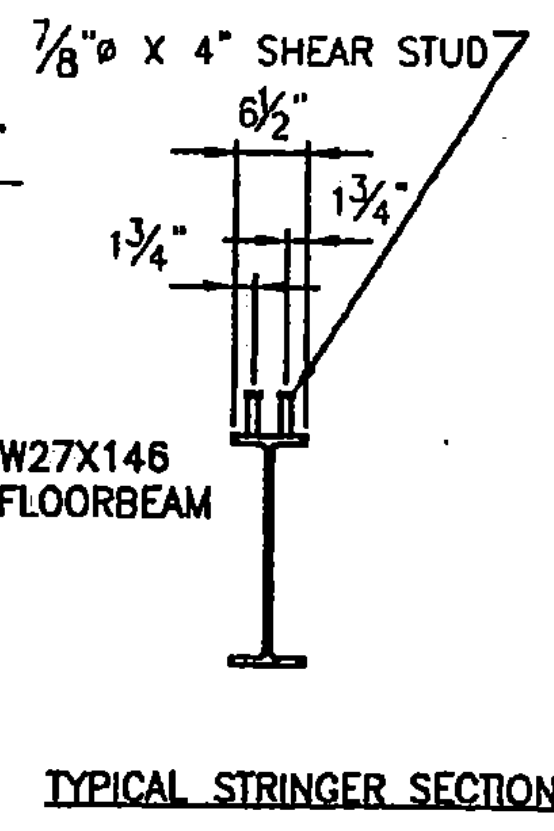
STRINGERS S1 & S2 ~ SHEAR STUD SPACING



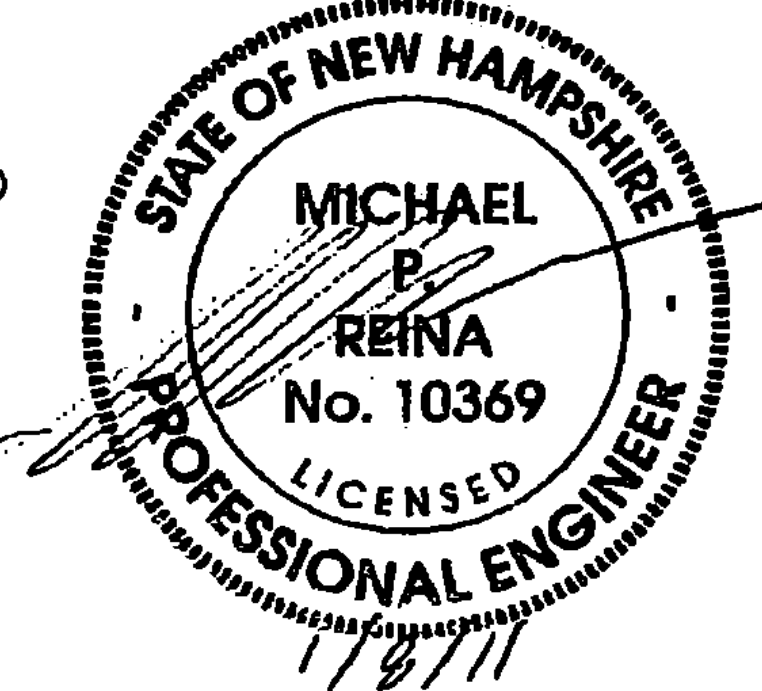
STRINGER S3 ~ SHEAR STUD SPACING



STRINGER S3 ~ SHEAR STUD SPACING



SHEAR STUD SPACING SHOULD BE VERIFIED BY STRUCTURAL STEEL SUPPLIER FOR COORDINATION.
 OPEN AREAS ALONG STRINGER S3 ARE TO AVOIDED LEVELING PLATES WITHIN PANELS.
 [N.S. NEAR SIDE] [F.S. FAR SIDE]



DATE 1/17/2011
 BY KMH DATE 1/20/11

APPROVED:	DATE:
L. B. FOSTER CO.	
PITTSBURGH, PENNSYLVANIA 15220	
FOR: MILLER CONSTRUCTION	
STATE OF VERMONT AGENCY OF TRANSPORTATION	
TOWN OF BRIDGEWATER, COUNTY OF WINDSOR	
VT. ROUTE 100A, BR14 PROJ. NO. BRS 0149 (4)	
SHEAR STUD LAY OUT FOR STRINGERS BEAMS	
ISSUED BY: BLJ	DATE: 12/09/10
JOB NO: SDO339	SCALE: 1/8" = 1'-0"
REV. NO.	REV. NO.

190 PREFAB DECK PANELS