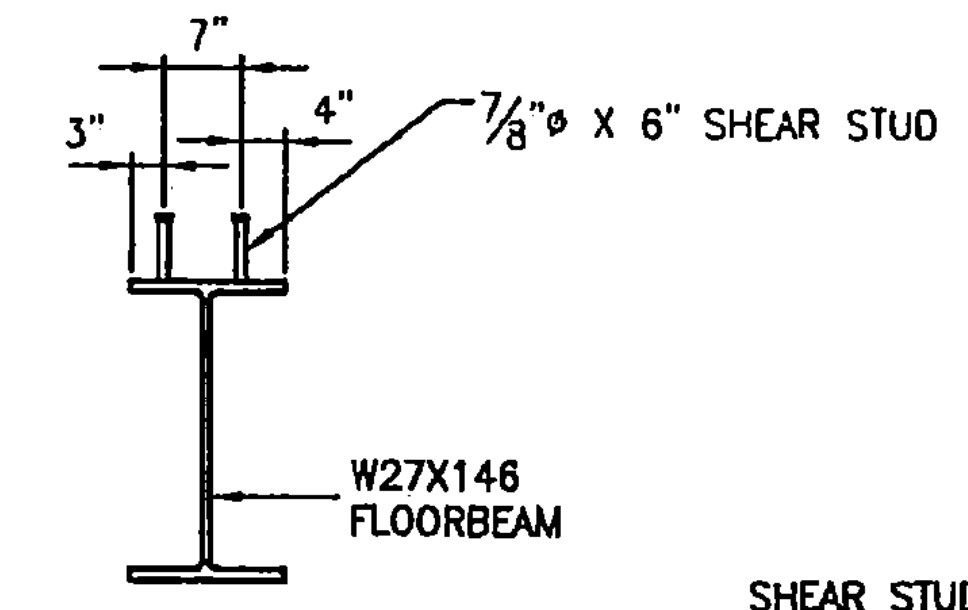
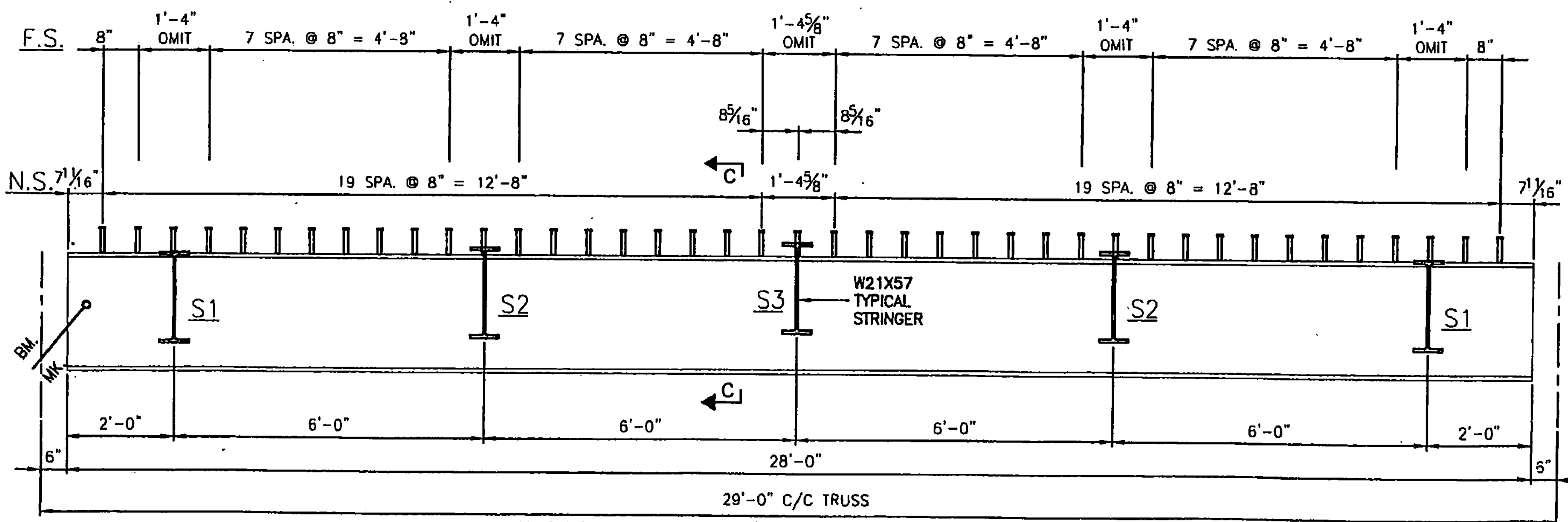


FLOOR BEAMS ~ L3 & L4 ~ SHEAR STUD SPACING

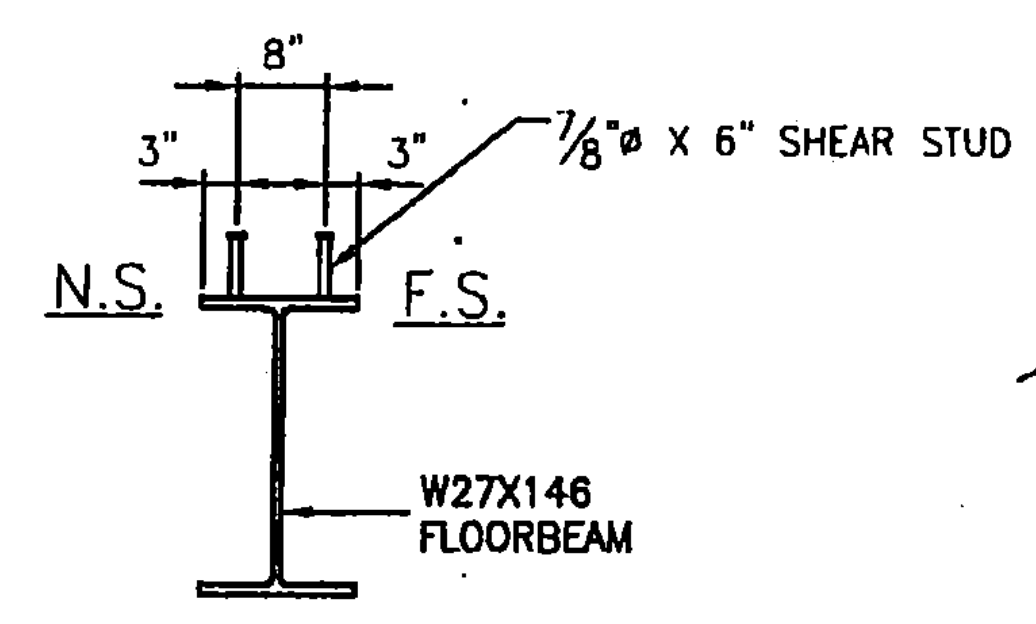


SECTION B-B
L3 SHOWN
L4 OPPOSITE HAND

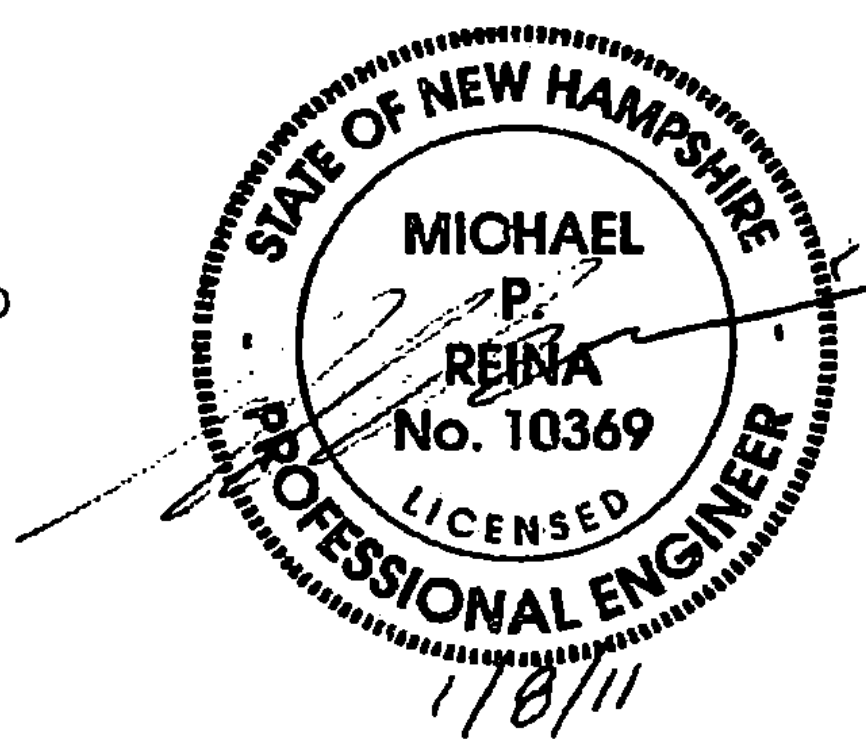
SHEAR STUD SPACING SHOULD BE VERIFIED BY
STRUCTURAL STEEL SUPPLIER FOR COORDINATION.
[N.S. NEAR SIDE] [F.S. FAR SIDE]



FLOOR BEAMS ~ L5 & L7 ~ SHEAR STUD SPACING



SECTION C-C



RECEIVED
JAN 17 2011
RESUBMIT APPROVED ✓
BY KMH DATE 1/20/11

APPROVED:	DATE:
L. B. FOSTER CO.	
PITTSBURGH, PENNSYLVANIA 15220	
FOR: MILLER CONSTRUCTION	
STATE OF VERMONT AGENCY OF TRANSPORTATION	
TOWN OF BRIDGEWATER, COUNTY OF WINDSOR	
VT. ROUTE 100A, BR14 PROJ. NO. BRS 0149 (4)	
SHEAR STUD LAY OUT FOR FLOOR BEAMS	
DATE: 12/09/10	JOB NO. SD0339
BY: BLJ	CHECK: LBE11
REV. NO.	REV. NO.

~~187~~ 188 PREFAB
DECK PANELS