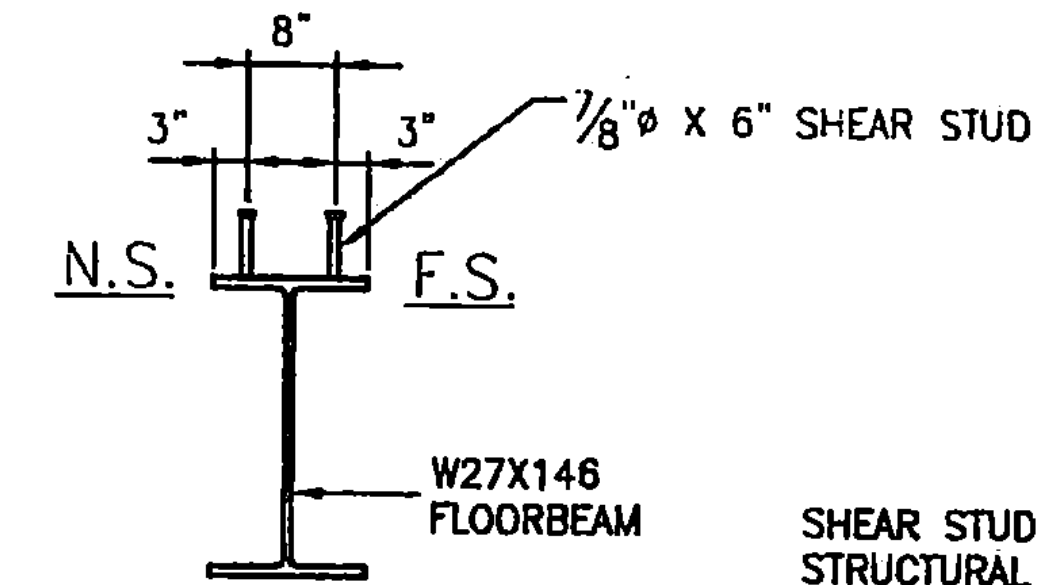
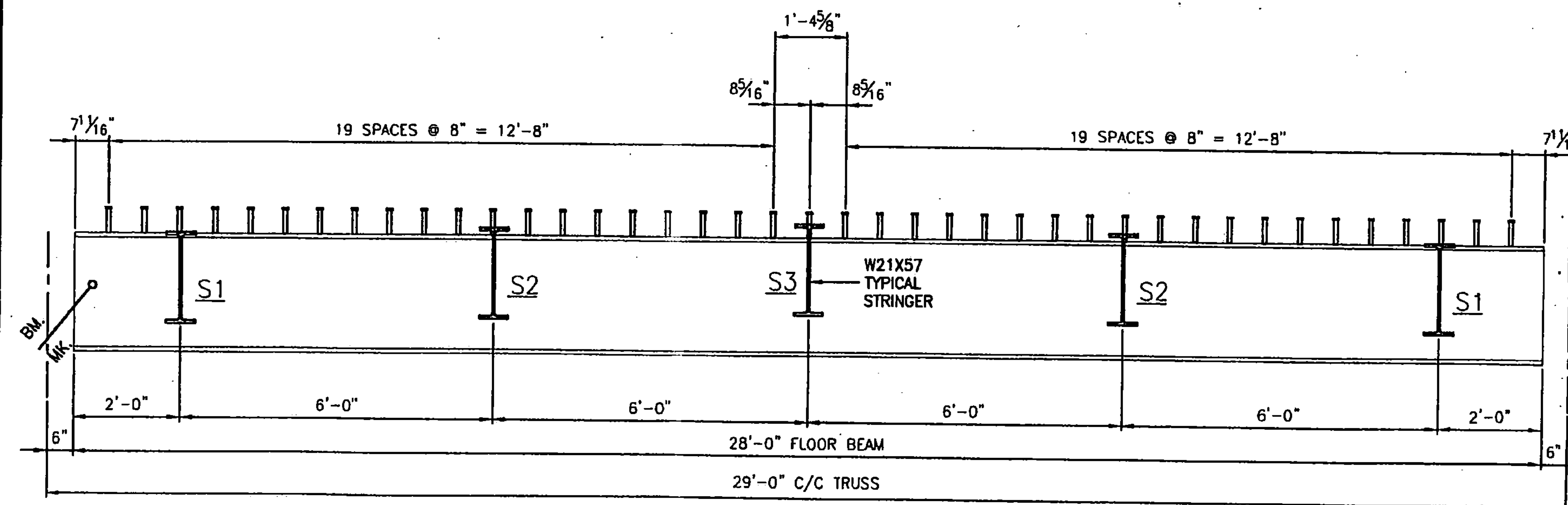


FLOOR BEAMS ~ L0 & L2 ~ SHEAR STUD SPACING

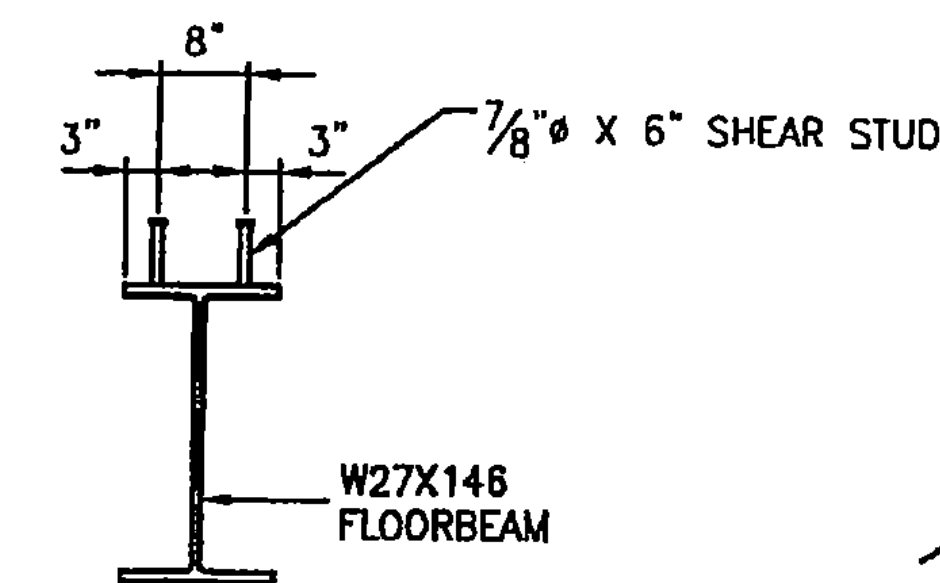


SECTION A-A

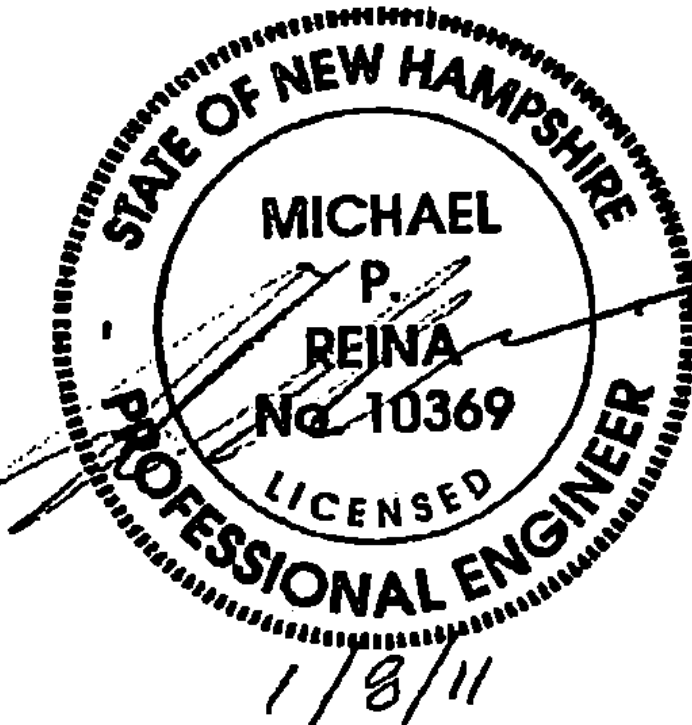
SHEAR STUD SPACING SHOULD BE VERIFIED BY STRUCTURAL STEEL SUPPLIER FOR COORDINATION.
[N.S. NEAR SIDE] [F.S. FAR SIDE]



FLOOR BEAMS ~ L1 & L6 ~ SHEAR STUD SPACING



SECTION A-A



RECEIVED
 JAN 17 2011
 RESUBMIT _____ APPROVED
 BY KMH DATE 1/20/11

APPROVED:	DATE:
L. B. FOSTER CO.	
PITTSBURGH, PENNSYLVANIA 15220	
FOR: MILLER CONSTRUCTION	
STATE OF VERMONT AGENCY OF TRANSPORTATION	
TOWN OF BRIDGEWATER, COUNTY OF WINDSOR	
VT. ROUTE 100A, BR14 PROJ. NO. BRS 0149 (4)	
SHEAR STUD LAY OUT FOR FLOOR BEAMS	
ISSUED BY: BLJ	DATE: 12/09/10
JOB NO. SD0339	SCALE: N/A
REV. NO.	DATE
1	1/20/11
2	
3	
4	
5	
6	
7	
8	
9	
10	
11	
12	
13	
14	
15	
16	
17	
18	
19	
20	
21	
22	
23	
24	
25	
26	
27	
28	
29	
30	
31	
32	
33	
34	
35	
36	
37	
38	
39	
40	
41	
42	
43	
44	
45	
46	
47	
48	
49	
50	
51	
52	
53	
54	
55	
56	
57	
58	
59	
60	
61	
62	
63	
64	
65	
66	
67	
68	
69	
70	
71	
72	
73	
74	
75	
76	
77	
78	
79	
80	
81	
82	
83	
84	
85	
86	
87	
88	
89	
90	
91	
92	
93	
94	
95	
96	
97	
98	
99	
100	

#187 PRE FAB DECK PANELS