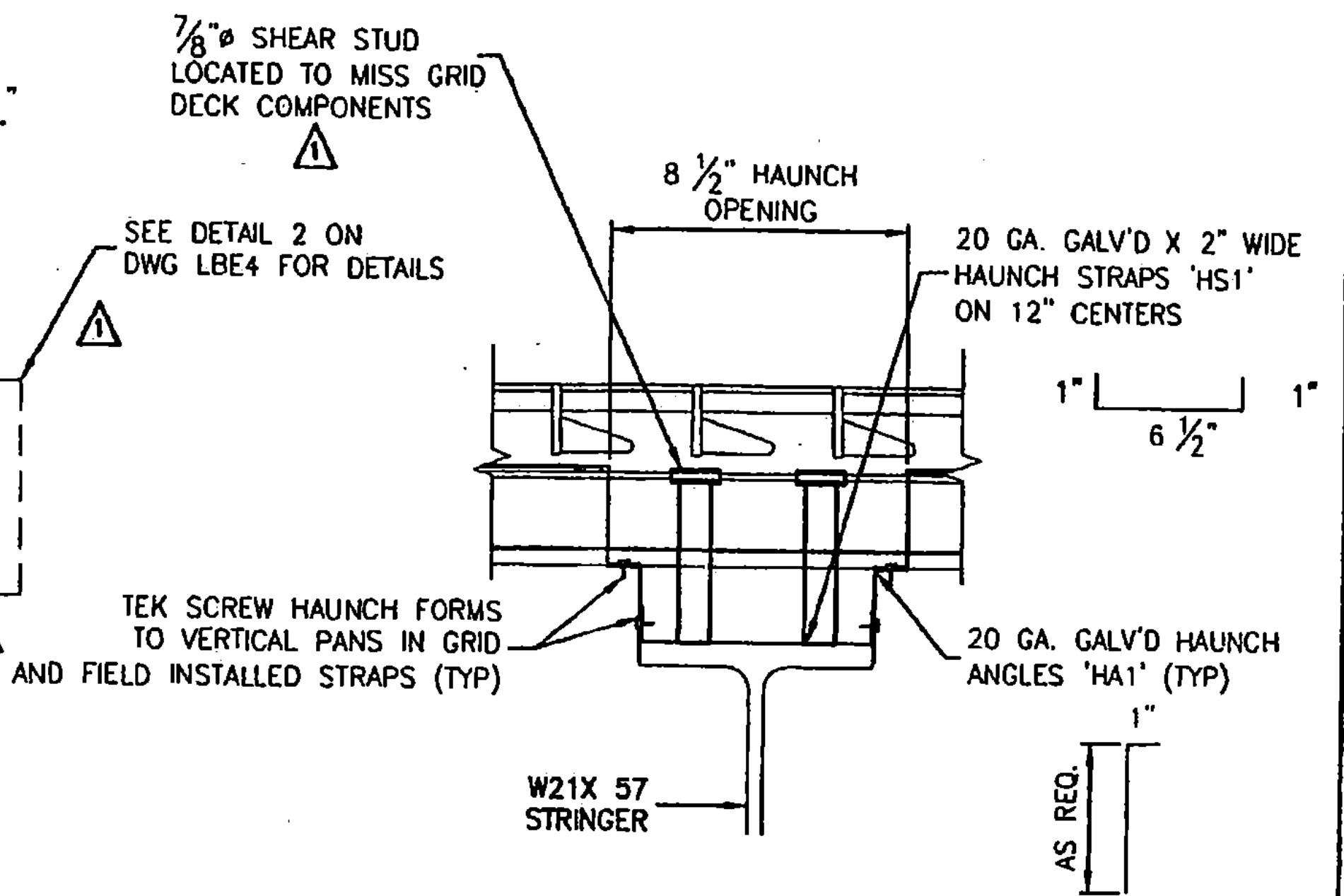
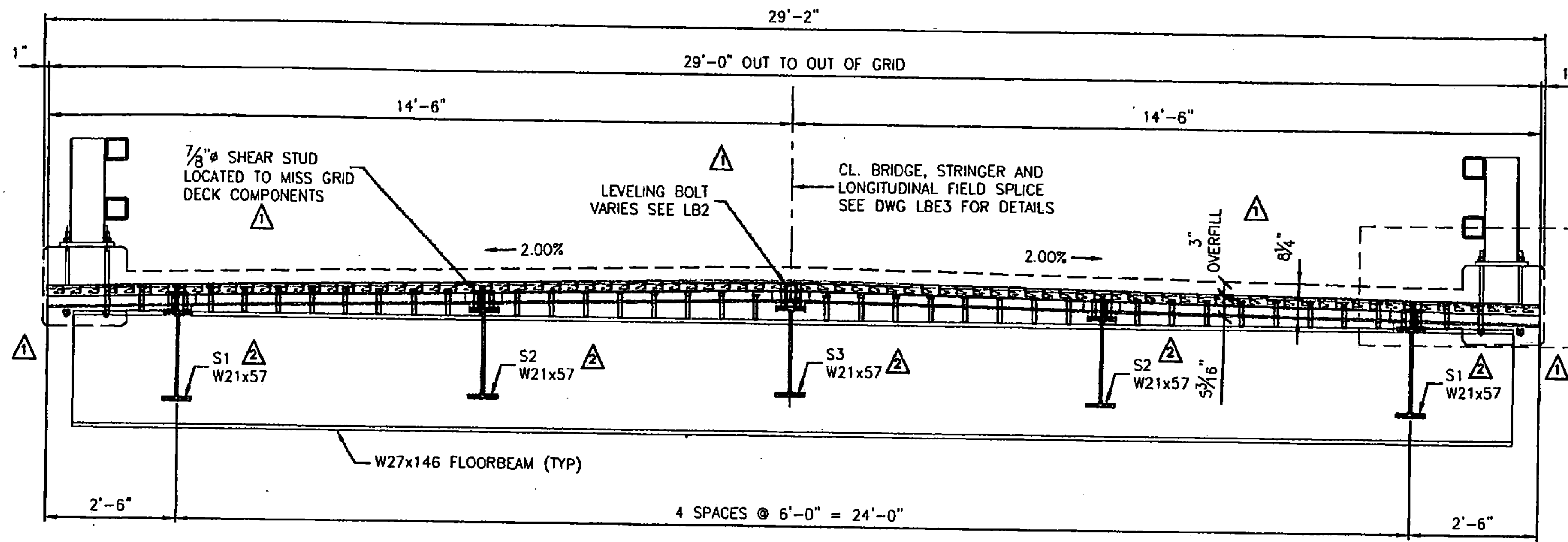
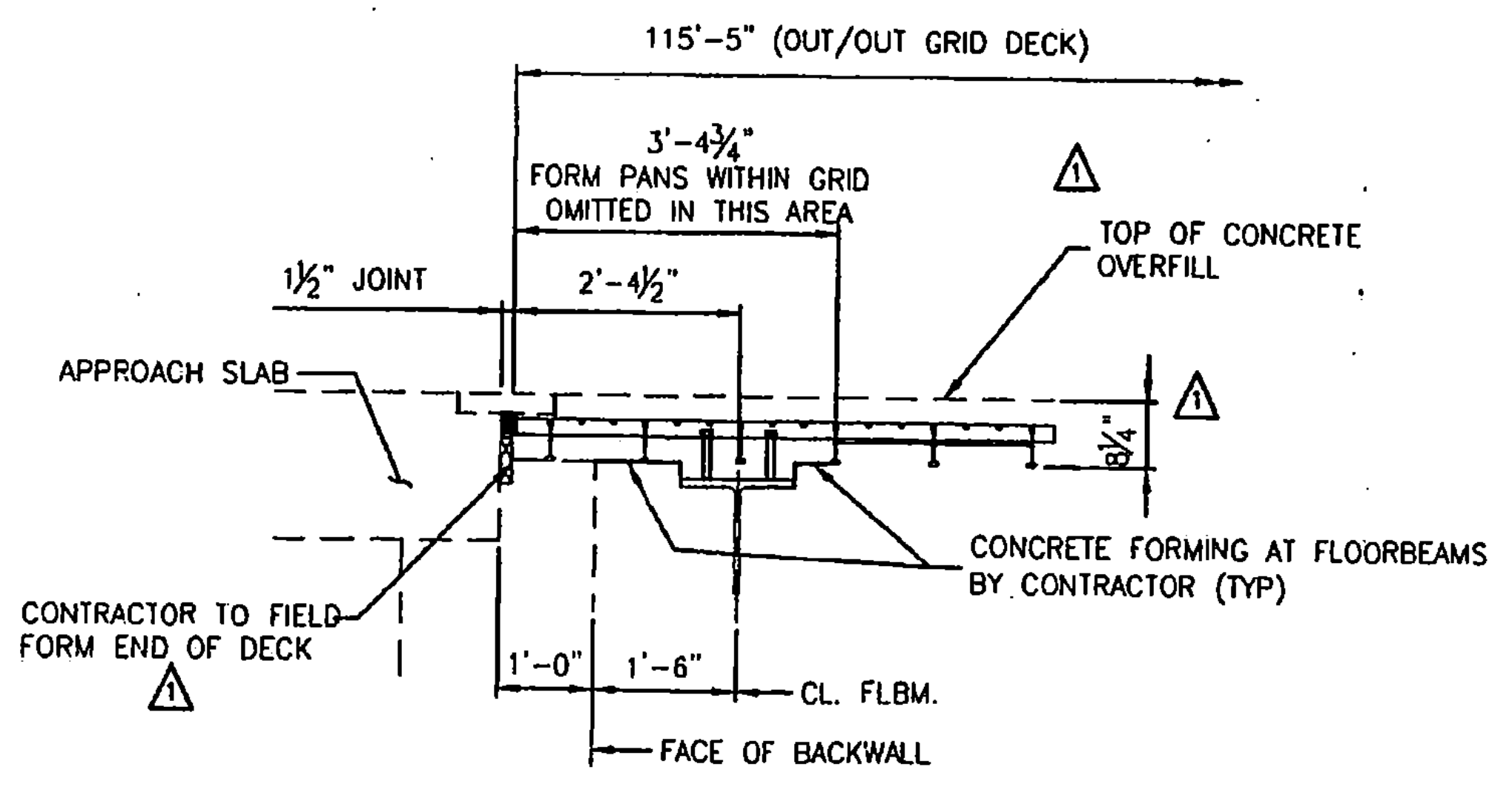


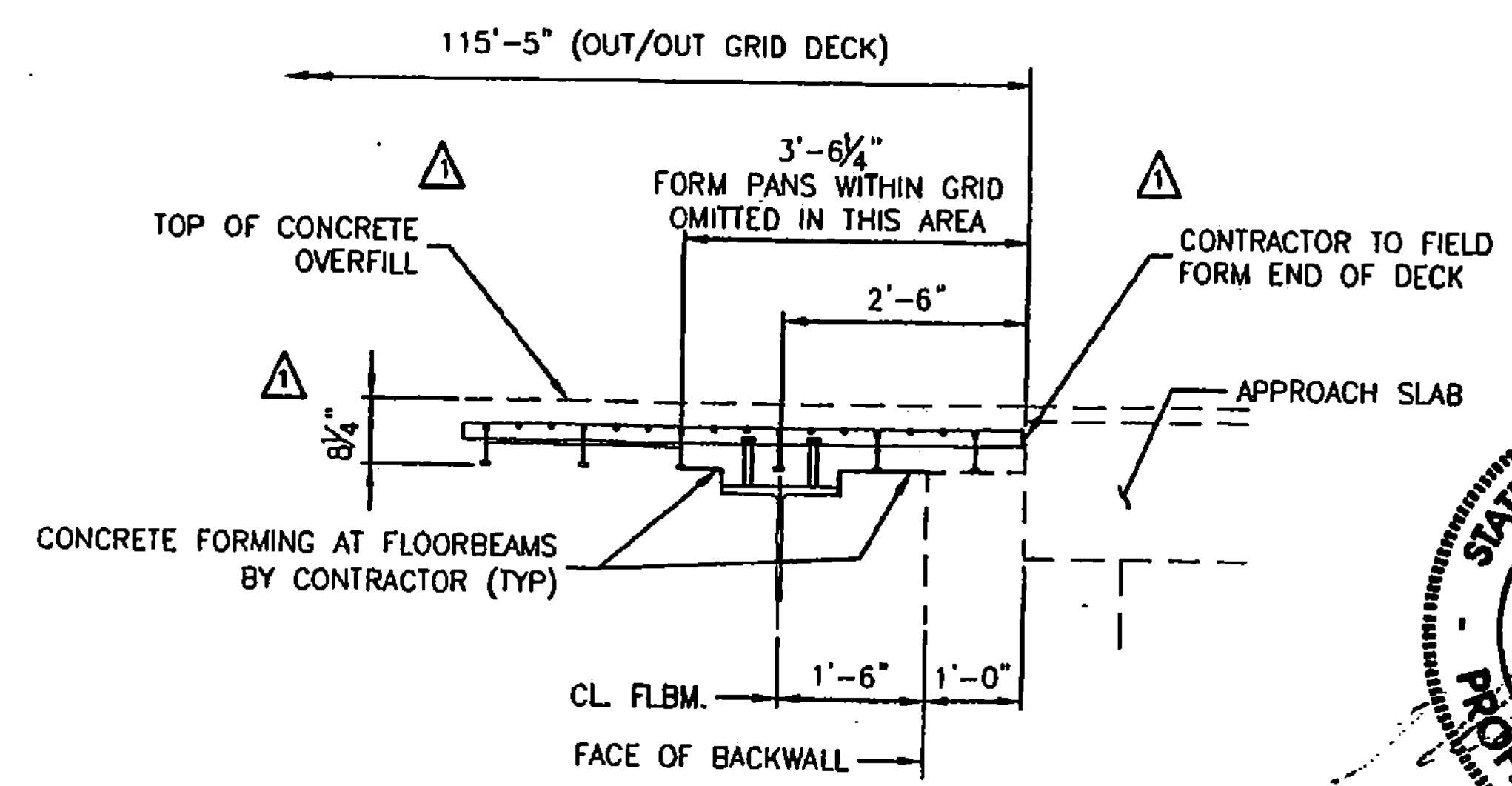
RECEIVED
 JAN 17 2011
 RESUBMIT _____ APPROVED
 BY KMH DATE 1/20/11



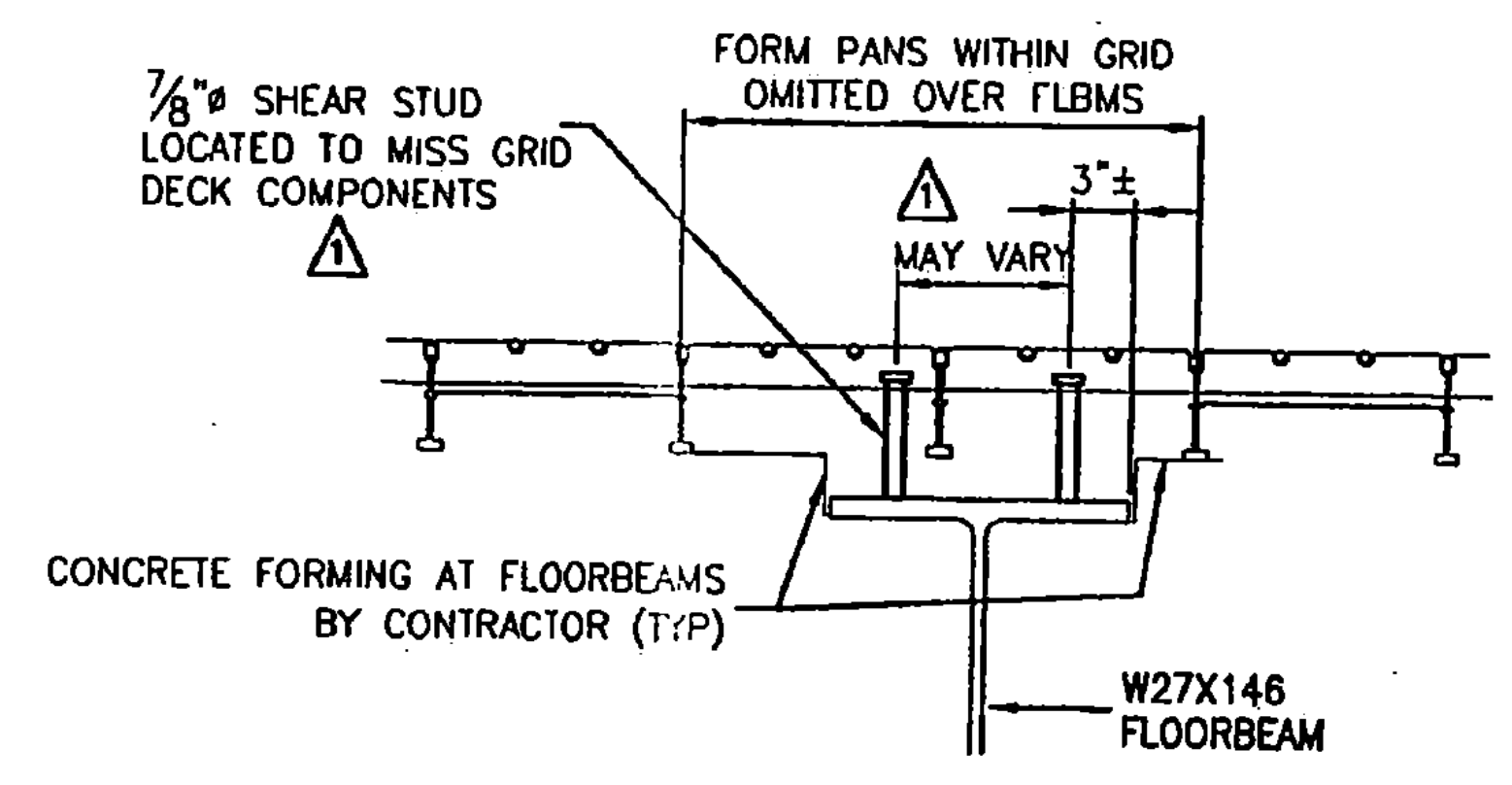
HAUNCH FORMING DETAIL
 AT STRINGERS
 SHEAR STUDS NOT SHOWN



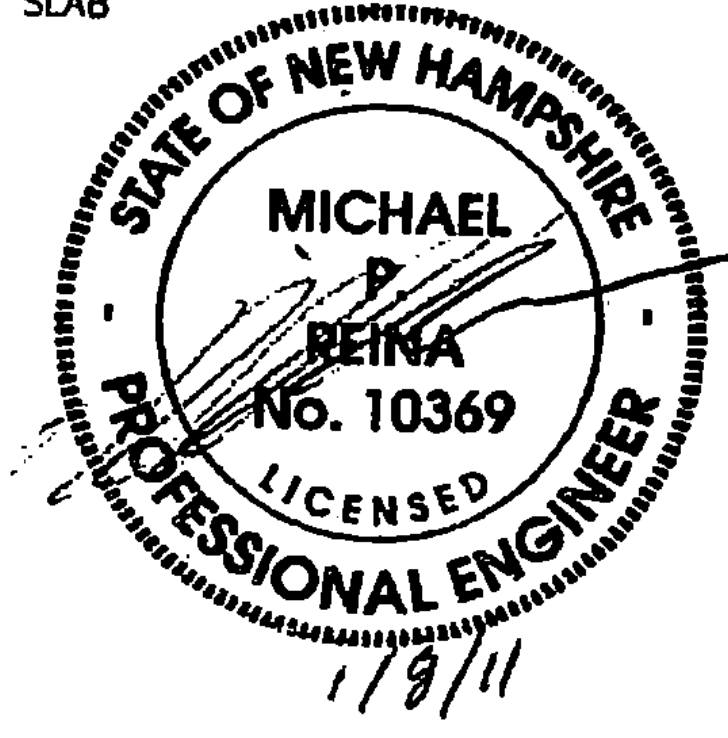
ABUTMENT SECTION A-A
 @ ABUT. 1



ABUTMENT SECTION B-B
 @ ABUT. 2



HAUNCH FORMING DETAIL
 AT FLOORBEAMS
 SHEAR STUDS NOT SHOWN



REVISOR	DESCRIPTION	DATE	BY	CHECKED	DATE
△	REVISED PER STRINGER AVAILABILITY	12/16	B L J		10
△	REVISED PER APPROVER'S COMMENTS	10/26	B L J		10

APPROVED:	
L. B. FOSTER CO.	
PITTSBURGH, PENNSYLVANIA 15220	
FOR: MILLER CONSTRUCTION	
STATE OF VERMONT AGENCY OF TRANSPORTATION	
TOWN OF BRIDGEWATER, COUNTY OF WINDSOR	
VT. ROUTE 100A, BR14 PROJ. NO. BRS 0149 (4)	
SECTIONS	
WFO 08/18/10 S00339	
WFO 09/11/10 LBE2	
REV. NO. 2	

183 PRE FAB
 DECK PANELS