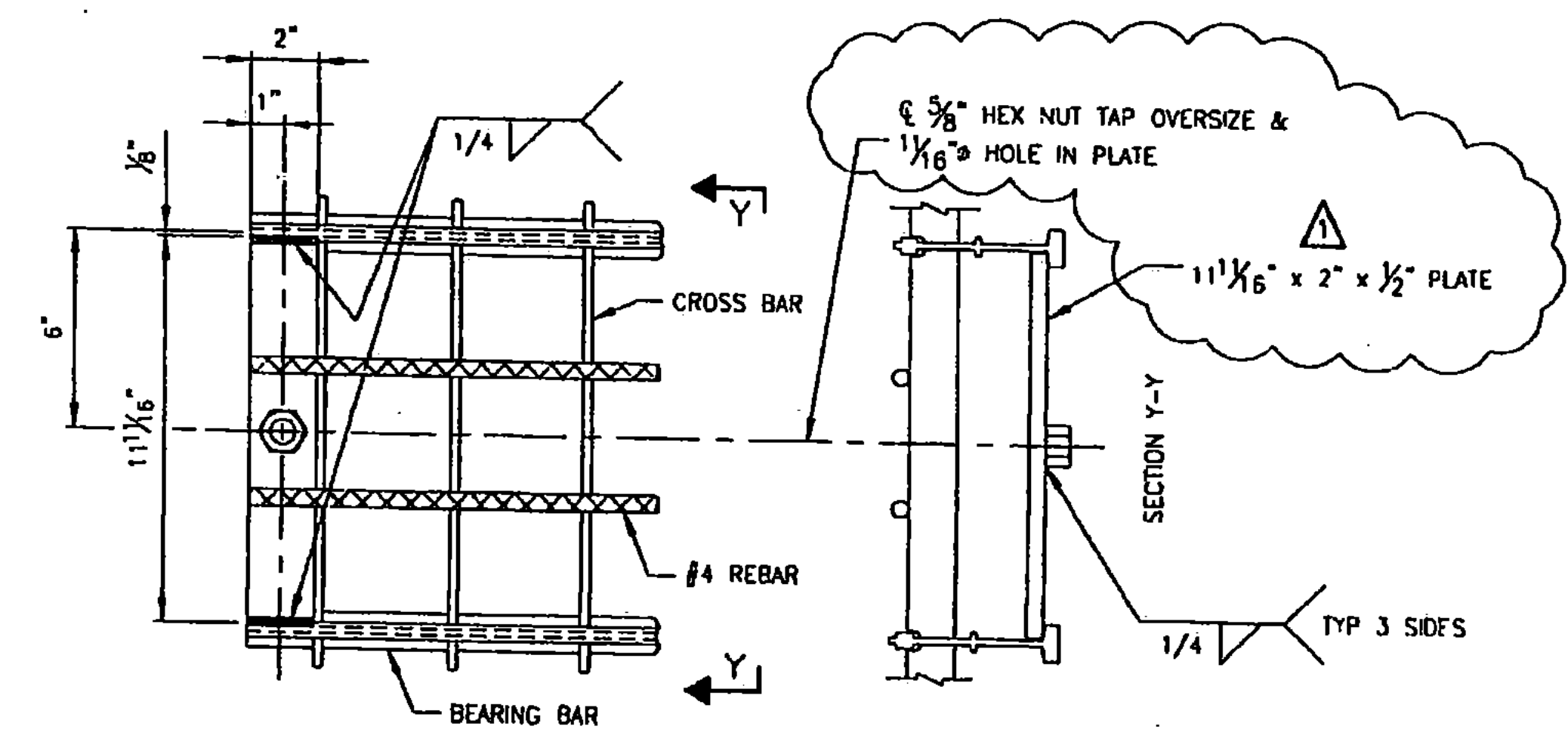
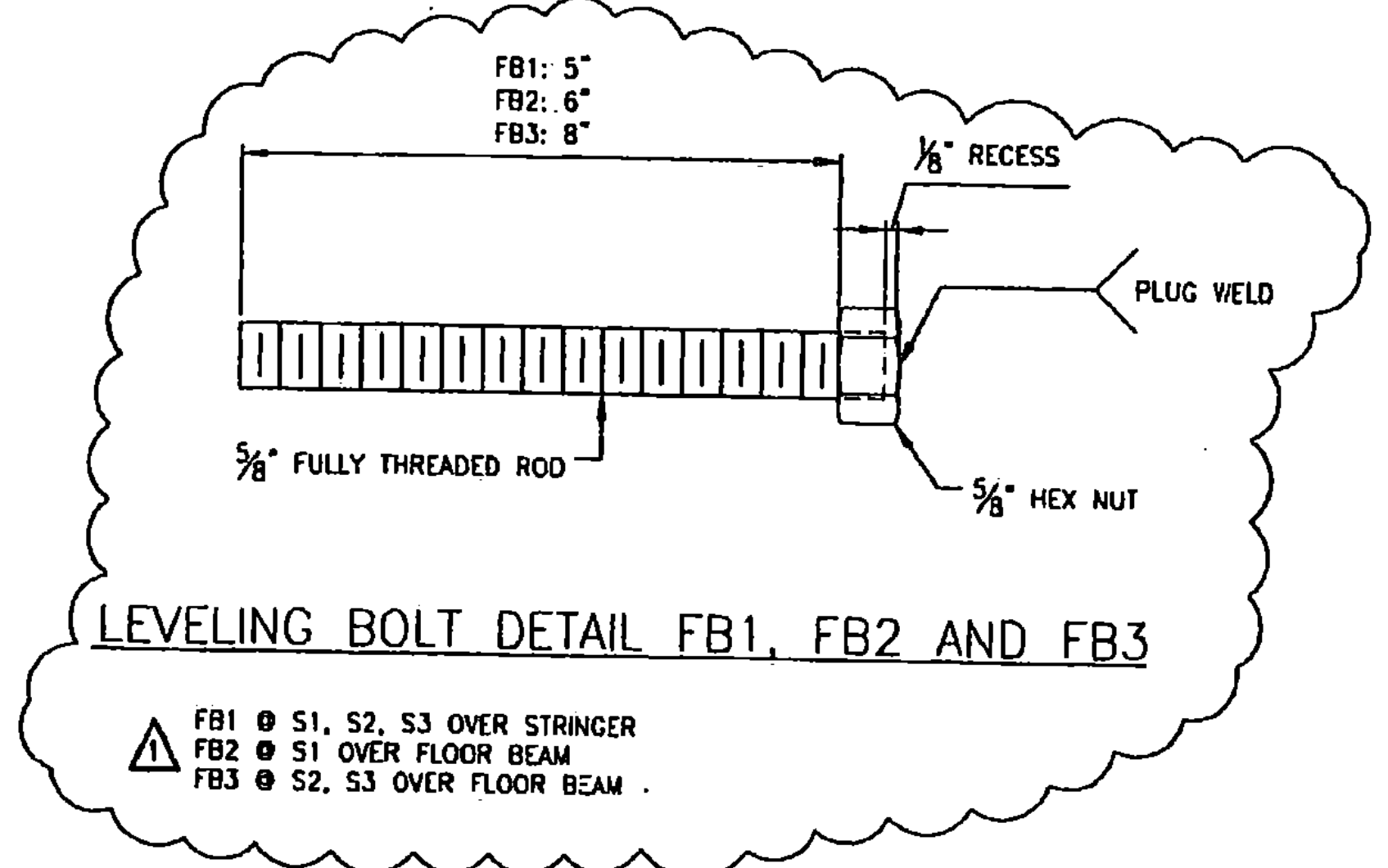


LEVELING PLATE "lp1" WELD DETAILS



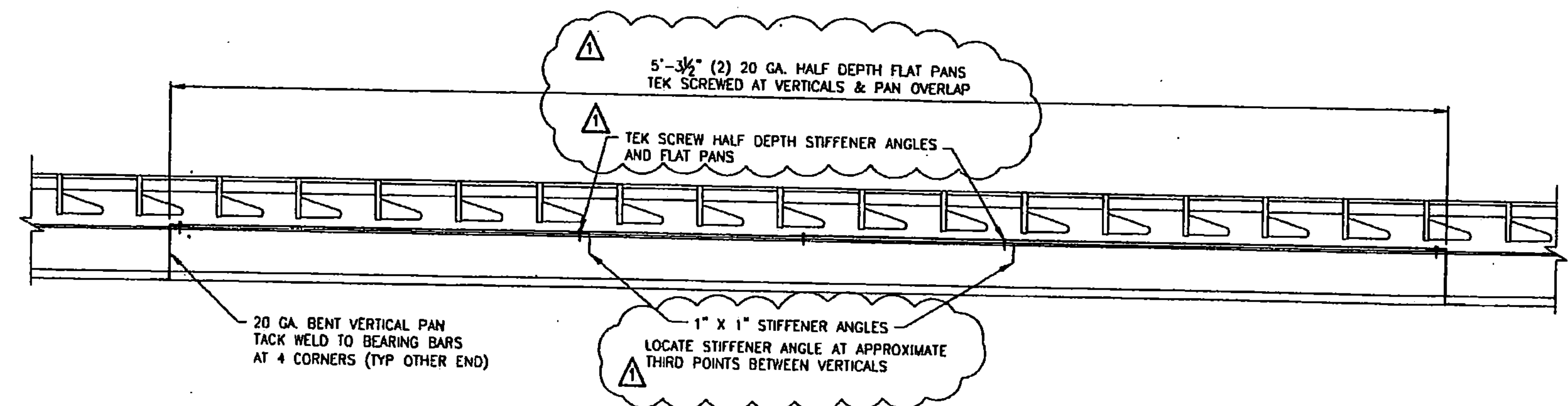
LEVELING PLATE "lp2" WELD DETAILS

REMOVED TRIM DETAIL PER APPROVER'S COMMENTS ON SHEET LBE2 SECTIONS A-A & B-B.



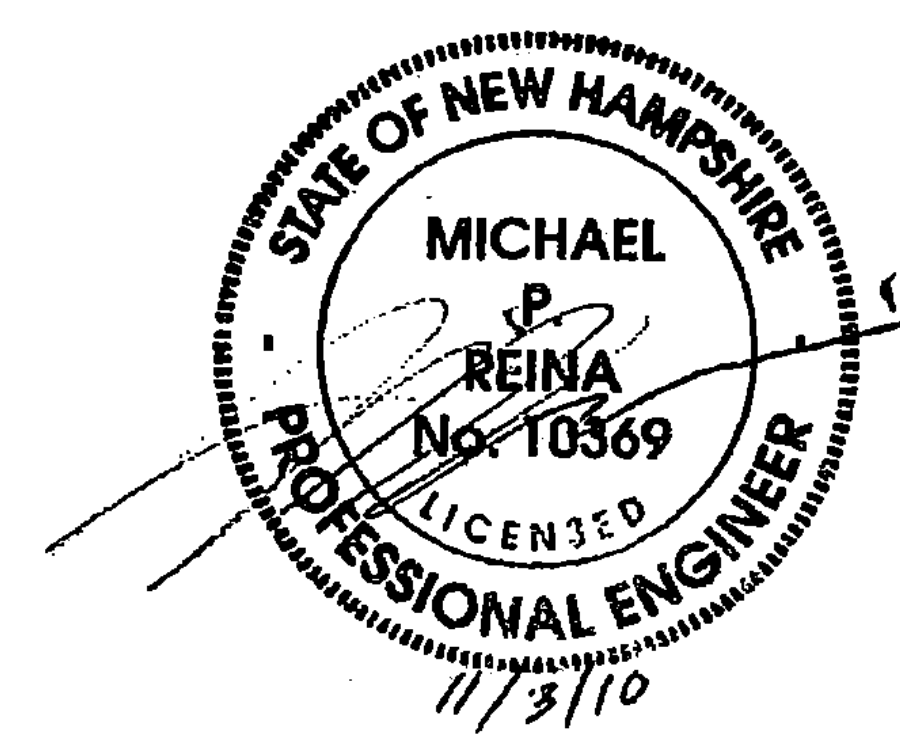
LEVELING BOLT DETAIL FB1, FB2 AND FB3

FB1 @ S1, S2, S3 OVER STRINGER  
 FB2 @ S1 OVER FLOOR BEAM  
 FB3 @ S2, S3 OVER FLOOR BEAM



FORM PAN WELD DETAIL

RECEIVED  
 OK'D BY 167 OK'D BY \_\_\_\_\_  
 JAN 17 2011  
 RESUBMIT \_\_\_\_\_ APPROVED \_\_\_\_\_  
 BY KMH DATE 1/20/11



APPROVED:	DATE APP.
<b>L. B. FOSTER CO.</b>	
PITTSBURGH, PENNSYLVANIA 15220	
FOR: MILLER CONSTRUCTION	
STATE OF VERMONT AGENCY OF TRANSPORTATION	
TOWN OF BRIDGEWATER, COUNTY OF WINDSOR	
VT. ROUTE 100A, BR14 PROJ. NO. BRS 0149 (4)	
SHOP WELDS	
DATE WPD	DATE SDO339
DATE RLP	DATE LB2
REV. NO.	1

181 PRE FAB DECK PANELS