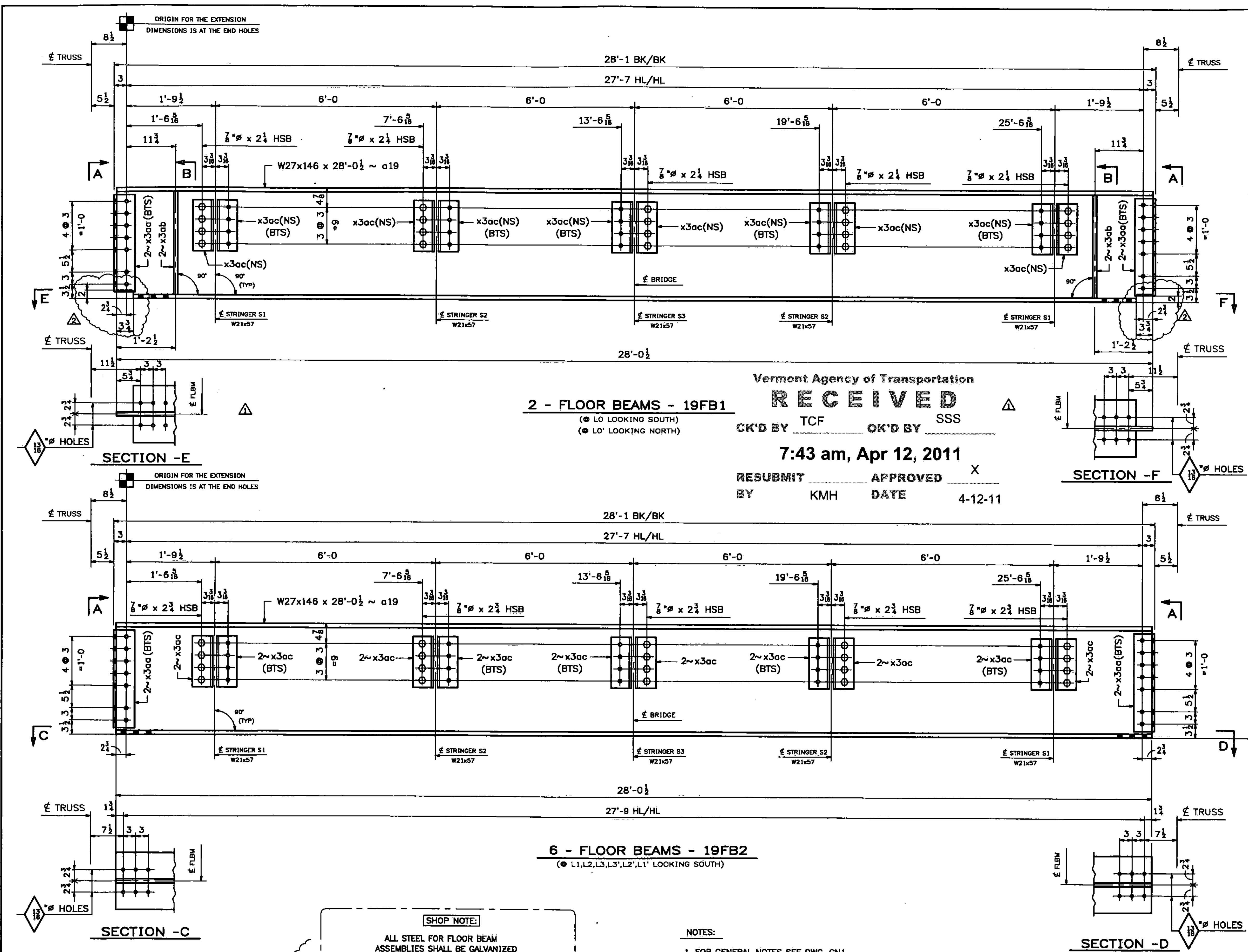
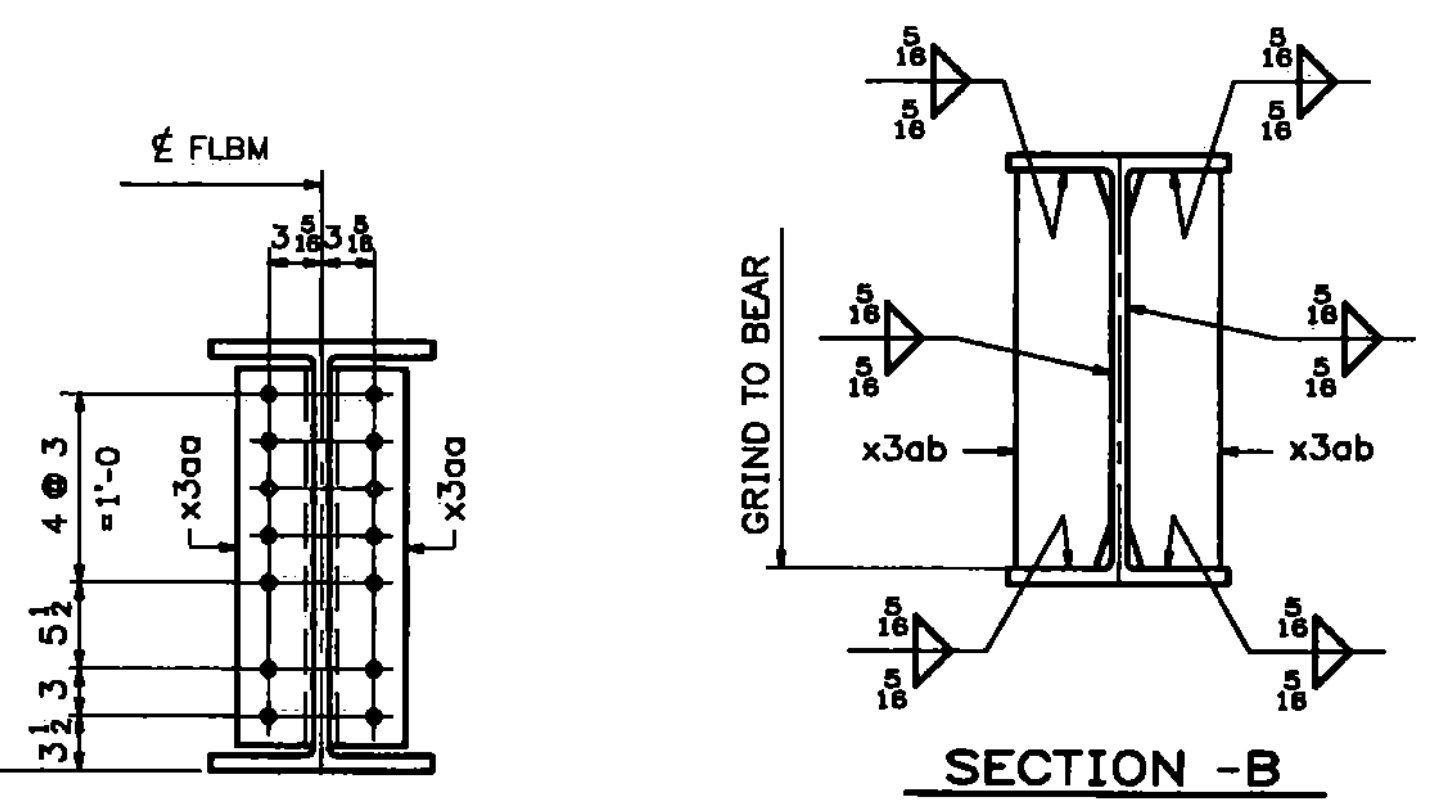
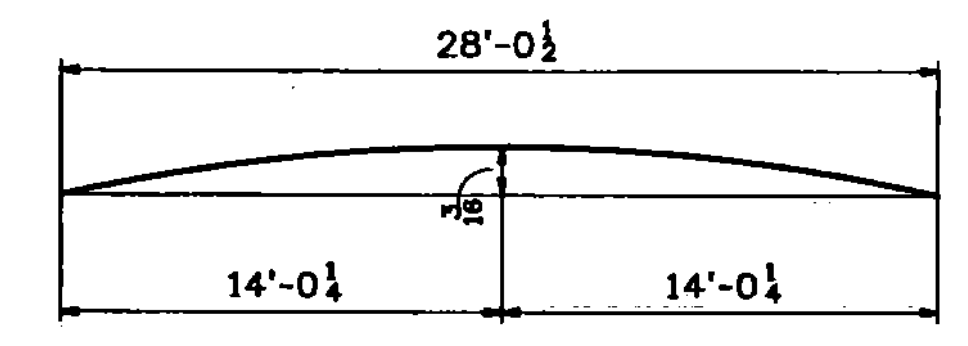


161 STRUCTURAL STEEL



ABM INFO		BILL OF MATERIAL				JOB NO.	DRAWING NO.	REV.	
PAGE	LINE	MARK	QTY	MARK	MATERIAL	LENGTH	REMARKS	WT	PROCUREMENT NOTES
						FT			
		19FB1	2		FLOOR BEAMS				443C
5	B		2	a19	W 27x146	28	0 1/2		(GALVANIZED) M270-5012
5	E		8	x3aa	L 5x5x 3/8	1	11 1/2		(GALVANIZED)
5	F		8	x3ab	PL 1/2x6 1/2	2	11 1/2		(GALVANIZED) G1E
5	G		20	x3ac	L 5x5x 3/8	1	0 1/2		(GALVANIZED)
11	C		40		# HSB	0	2 1/2		(GALVANIZED) A325-1
11	P		40		# HSW				(GALVANIZED) F438
		19FB2	6		FLOOR BEAMS				446E
5	B		6	a19	W 27x146	28	0 1/2		(GALVANIZED) M270-5012
5	E		24	x3aa	L 5x5x 3/8	1	11 1/2		(GALVANIZED)
5	G		120	x3ac	L 5x5x 3/8	1	0 1/2		(GALVANIZED)
11	E		120		# HSB	0	2 1/2		(GALVANIZED) A325-1
11	P		120		# HSW				(GALVANIZED) F438

T2 - DENOTES MATERIAL SUBJECT TO CHARPY V-NOTCH TESTING  
 G1E - DENOTES GRINDING AT ONE END OF STIFFENER



**SHOP NOTE:**  
 ALL STEEL FOR FLOOR BEAM ASSEMBLIES SHALL BE GALVANIZED  
 SHEAR STUDS SHALL BE WELDED TO TOP FLANGE AS PER LB FOSTERS APPROVED PLANS BEFORE GALVANIZING

- NOTES:**
1. FOR GENERAL NOTES SEE DWG. GN1.
  2. FOR STANDARD DETAILS SEE DWG. X3.
  3. ALL BOLTS SHALL BE FULLY TORQUED (UN).
  4. BTS - DENOTES BOLT TO SHIP OR SECURE FOR SHIPMENT.

REV.	DATE	REMARKS	DWN	CHK	APVL	SHOP
0	03/23/11	REVISED AS PER APPROVAL COMMENTS	JM			
0	03/03/11	REVISED AS PER APPROVAL COMMENTS	JM			

MATERIAL:	SURFACE PREP. & PAINT:	HOLES:	SHOP BOLTS:
M270-50 (U.N.)	SEE DWG GN1	1/8" Ø (U.N.)	AS NOTED
DESCRIPTION: FLOOR BEAMS			
<b>CASCO BAY STEEL STRUCTURES, INC.</b>			
75 SPRING HILL ROAD		SACO, MAINE 04072	
PHONE (207) 282-7360		FAX (207) 282-1179	
STRUCTURE:	Vermont Route 100A	DRAWN:	DATE:
	Bridge No. 14	RB	10/8/10
	Bridgewater	CHKD:	DATE:
	County of Windsor	WJL	10/19/10
LOCATION:	BRIDGEWATER, VERMONT	JOB NO.	DWG NO.
PROJ NO.	BRS 0149(4)	454	19
CUSTOMER:	VT AOT		REV.: