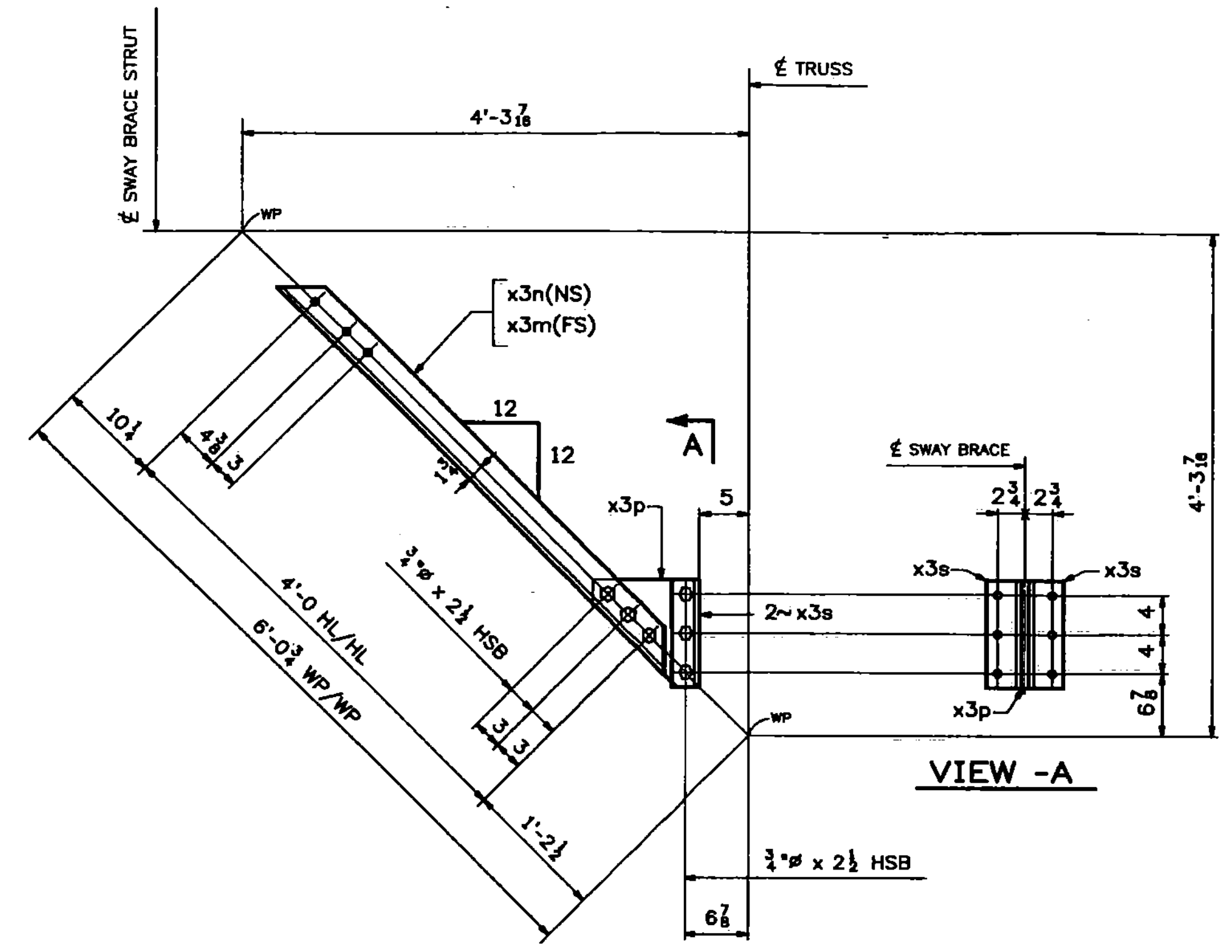
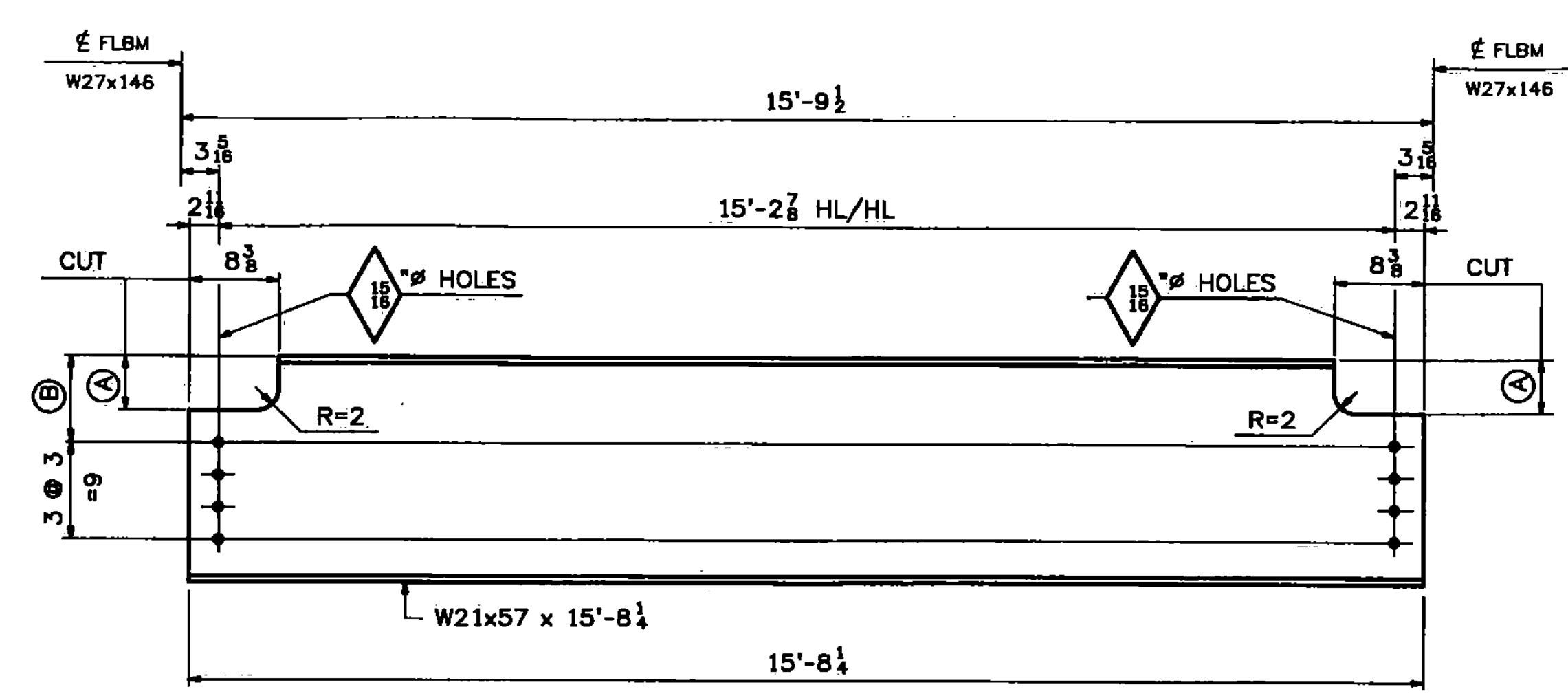


158 STRUCTURAL STEEL



8 - KNEE BRACES - 17KB1
(BELOW SWAY BRACE STRUTS @ U2,U3,U3' & U2')

SHOP NOTE:
ALL STEEL FOR KNEE BRACE ASSEMBLIES SHALL BE GALVANIZED



STRINGERS

	MARK	REQ'D	(A)	(B)
(● LINE S1)	17S1	14	2 1/2	5 1/2
(● LINE S2)	17S2	14	3 1/8	6 1/8
(● LINE S3)	17S3	7	5	8

SHOP NOTE:

STRINGERS SHALL BE FABRICATED WITH NATURAL MILL CAMBER UP.

SHOP NOTE:
ALL STEEL FOR STRINGERS SHALL BE GALVANIZED
SHEAR STUDS SHALL BE WELDED TO TOP FLANGE AS PER LB FOSTERS APPROVED PLANS BEFORE GALVANIZING

ASB INFO		SHIP		BILL OF MATERIAL				JOB NO.	DRAWING NO.	REV.
								454	17	
PAGE	LINE	MARK	QTY	MARK	MATERIAL	LENGTH		REMARKS	WT	PROCUREMENT NOTES
						FT	INCHES			
		17KB1	8		KNEE BRACES				97	
6	H		8	x3m	L 3 1/2 x 3 x 3/8	4	7 1/2	(GALVANIZED)		
6	H		8	x3n	L 3 1/2 x 3 x 3/8	4	7 1/2	(GALVANIZED)		
6	J		8	x3p	PL 3/8 x 10 1/8	0	11	(GALVANIZED)		
6	K		16	x3s	L 3 1/2 x 3 x 3/8	0	11	(GALVANIZED)		
10	E		48	3 # HSB		0	2 1/2	(GALVANIZED) A325-1		
10	P		48	3 # HSW				(GALVANIZED) F438		
STRINGERS										
5	C	17S1	14		W 21x57	15	8 1/4	(GALVANIZED) M270-50T2		894
5	C	17S2	14		W 21x57	15	8 1/4	(GALVANIZED) M270-50T2		894
5	C	17S3	7		W 21x57	15	8 1/4	(GALVANIZED) M270-50T2		894

T2 - DENOTES MATERIAL SUBJECT TO CHARPY V-NOTCH TESTING

Vermont Agency of Transportation

RECEIVED

CK'D BY TCF OK'D BY SSS

7:43 am, Apr 12, 2011

RESUBMIT APPROVED X
BY KMH DATE 4-12-11

- NOTES:
- FOR GENERAL NOTES SEE DWG. GN1.
 - FOR STANDARD DETAILS SEE DWG. X3.
 - ALL BOLTS SHALL BE FULLY TORQUED.

REV.	DATE	REMARKS	DWN	CHK	APVL	SHOP
03/23/11		RESUBMIT FOR APPROVAL	JM	PWR		
03/09/11		RESUBMIT FOR APPROVAL	JM	PWR		
0						

MATERIAL: M270-50 (U.N.)	SURFACE PREP. & PAINT: SEE DWG GN1	HOLES: 1 1/8" (U.N.)	SHOP BOLTS: AS NOTED
DESCRIPTION: KNEE BRACES & STRINGERS			
CASCO BAY STEEL STRUCTURES, INC.			
75 SPRING HILL ROAD PHONE (207) 282-7380		SACO, MAINE 04072 FAX. (207) 282-1179	
STRUCTURE: Vermont Route 100A Bridge No. 14 Bridgewater County of Windsor	DRAWN: RB	DATE: 10/6/10	
	CHKD: WJL	DATE: 10/19/10	
LOCATION: BRIDGEWATER, VERMONT	JOB NO. 454	DWG NO. 17	
PROJ NO. BRS 0149(4)			
CUSTOMER: VT AOT			