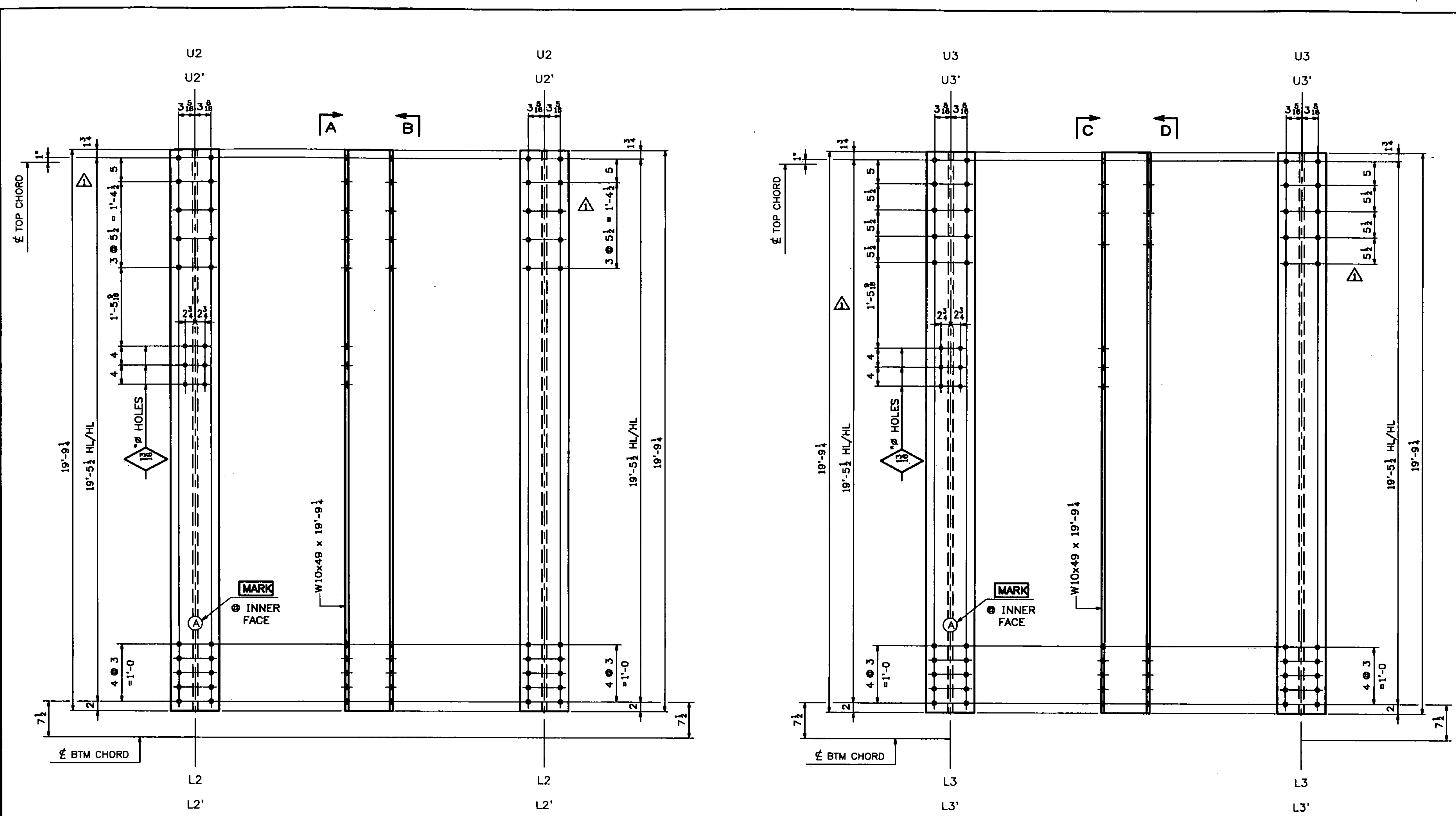


154 STRUCTURAL STEEL



- VIEW -A**
(AT INNER FACE)
- ONE - VERTICAL - 15V3W (L2-U2 WEST)
 - ONE - VERTICAL - 15V3E (L2-U2 EAST)
 - ONE - VERTICAL - 15V6W (L2'-U2' WEST)
 - ONE - VERTICAL - 15V6E (L2'-U2' EAST)
- ALIKE EXCEPT FOR MARK

- VIEW -C**
(AT INNER FACE)
- ONE - VERTICAL - 15V4W (L3-U3 WEST)
 - ONE - VERTICAL - 15V4E (L3-U3 EAST)
 - ONE - VERTICAL - 15V5W (L3'-U3' WEST)
 - ONE - VERTICAL - 15V5E (L3'-U3' EAST)
- ALIKE EXCEPT FOR MARK

SHOP NOTE:
ALL STEEL FOR VERTICALS SHALL BE GALVANIZED

NOTES:
1. FOR GENERAL NOTES SEE DWG. GN1.

ASM INFO		SHIP		BILL OF MATERIAL		JOB NO.	DRAWING NO.	REV.
				VERTICALS		454	15	
PAGE	LINE	MARK	QTY	MARK	MATERIAL	LENGTH FT INCHES	REMARKS	WT
							ALIKE EXCEPT FOR MARK	PROCUREMENT NOTES
4	M	15V3W	1		W 10x49	19 9 1/4	(GALVANIZED) M270-S012	969
4	M	15V3E	1		W 10x49	19 9 1/4	(GALVANIZED) M270-S012	969
4	M	15V6W	1		W 10x49	19 9 1/4	(GALVANIZED) M270-S012	969
4	M	15V6E	1		W 10x49	19 9 1/4	(GALVANIZED) M270-S012	969
				VERTICALS			ALIKE EXCEPT FOR MARK	
4	M	15V4W	1		W 10x49	19 9 1/4	(GALVANIZED) M270-S012	969
4	M	15V4E	1		W 10x49	19 9 1/4	(GALVANIZED) M270-S012	969
4	M	15V5W	1		W 10x49	19 9 1/4	(GALVANIZED) M270-S012	969
4	M	15V5E	1		W 10x49	19 9 1/4	(GALVANIZED) M270-S012	969

Vermont Agency of Transportation
RECEIVED
CK'D BY TCF OK'D BY SSS
7:43 am, Apr 12, 2011
RESUBMIT APPROVED X
BY KMH DATE 4-12-11

REV.	DATE	REMARKS	DOWN	CHK	APVL	SHOP
0	03/25/11	REVISED MATERIAL TYPE	JM	PWR		
	03/02/11	REVISED AS PER APPROVAL COMMENTS	JM	PWR		
MATERIAL: M270-50		SURFACE PREP. & PAINT: SEE DWG GN1	HOLES: 1/8" (U.N.)		SHOP BOLTS: NONE	
DESCRIPTION: VERTICALS 15V3W, 15V3E, 15V4W, 15V4E, 15V5W, 15V5E, 15V6W & 15V6E						
CASCO BAY STEEL STRUCTURES, INC.						
75 SPRING HILL ROAD SACO, MAINE 04072			PHONE (207) 282-7360		FAX (207) 282-1179	
STRUCTURE: Vermont Route 100A Bridge No. 14 Bridgewater County of Windsor			DRAWN: RB	DATE: 10/4/10		
			CHKD: WJL	DATE: 10/19/10		
LOCATION: BRIDGEWATER, VERMONT			JOB NO. 454	DWG NO. 15		
PROJ NO. BRS 0149(4)				REV. 15		
CUSTOMER: VT AOT						