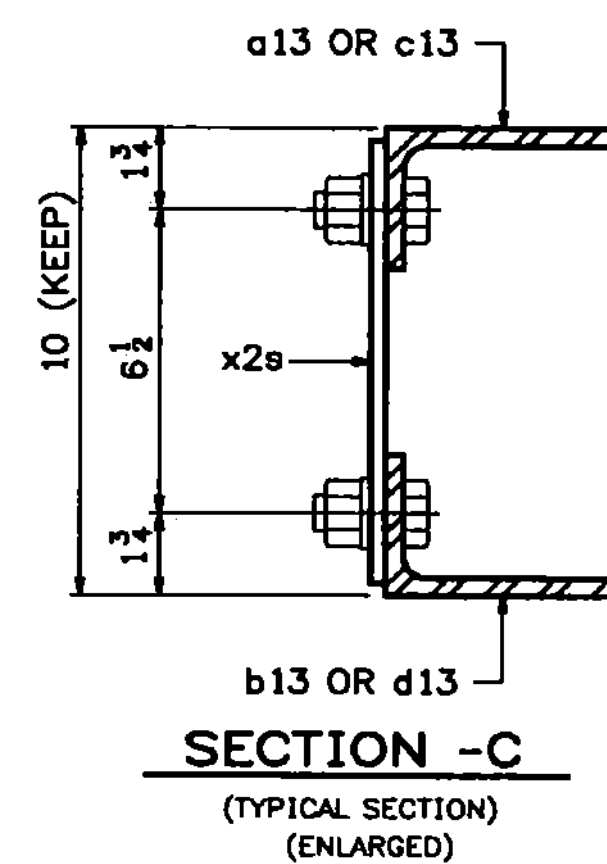
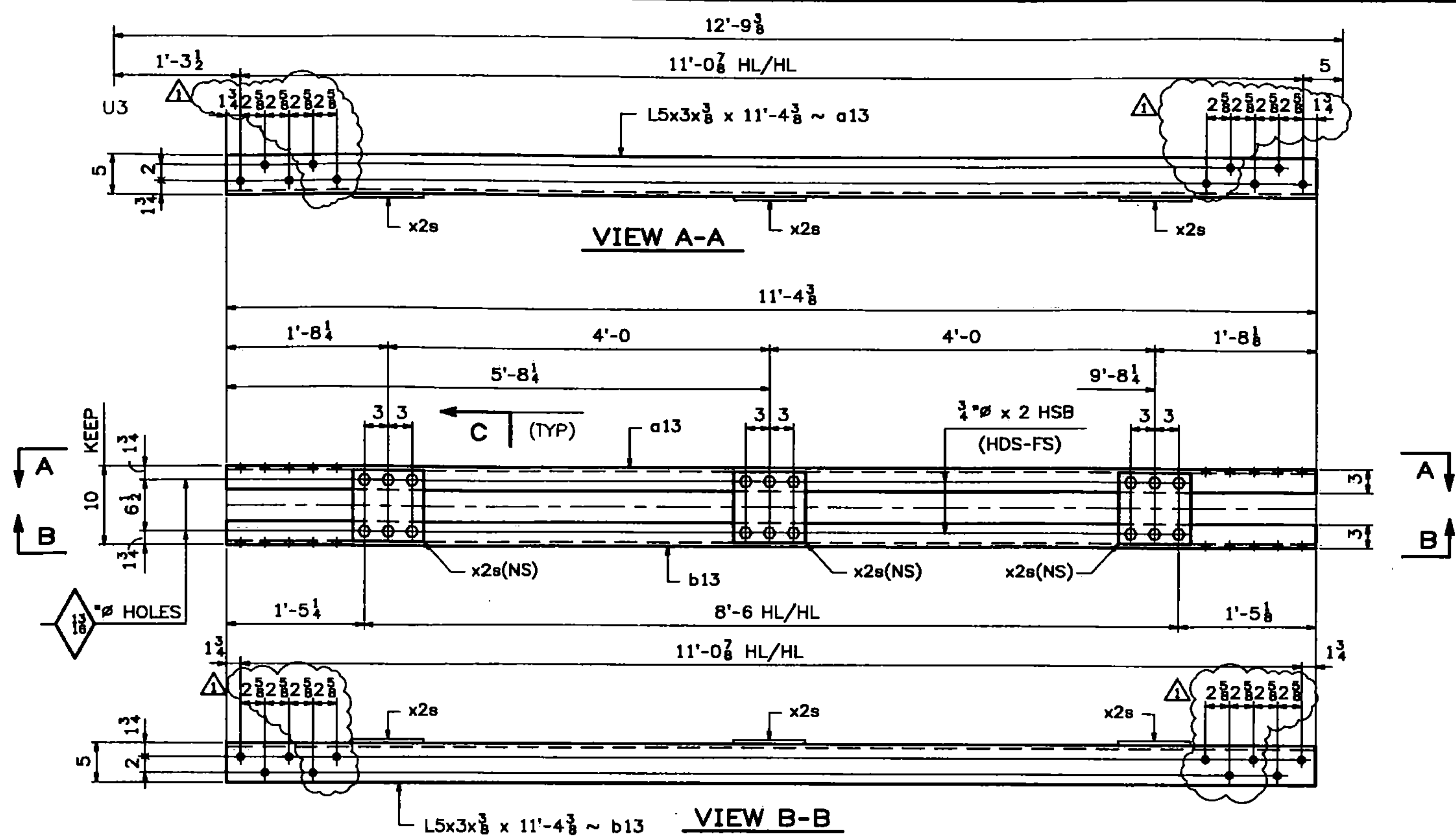
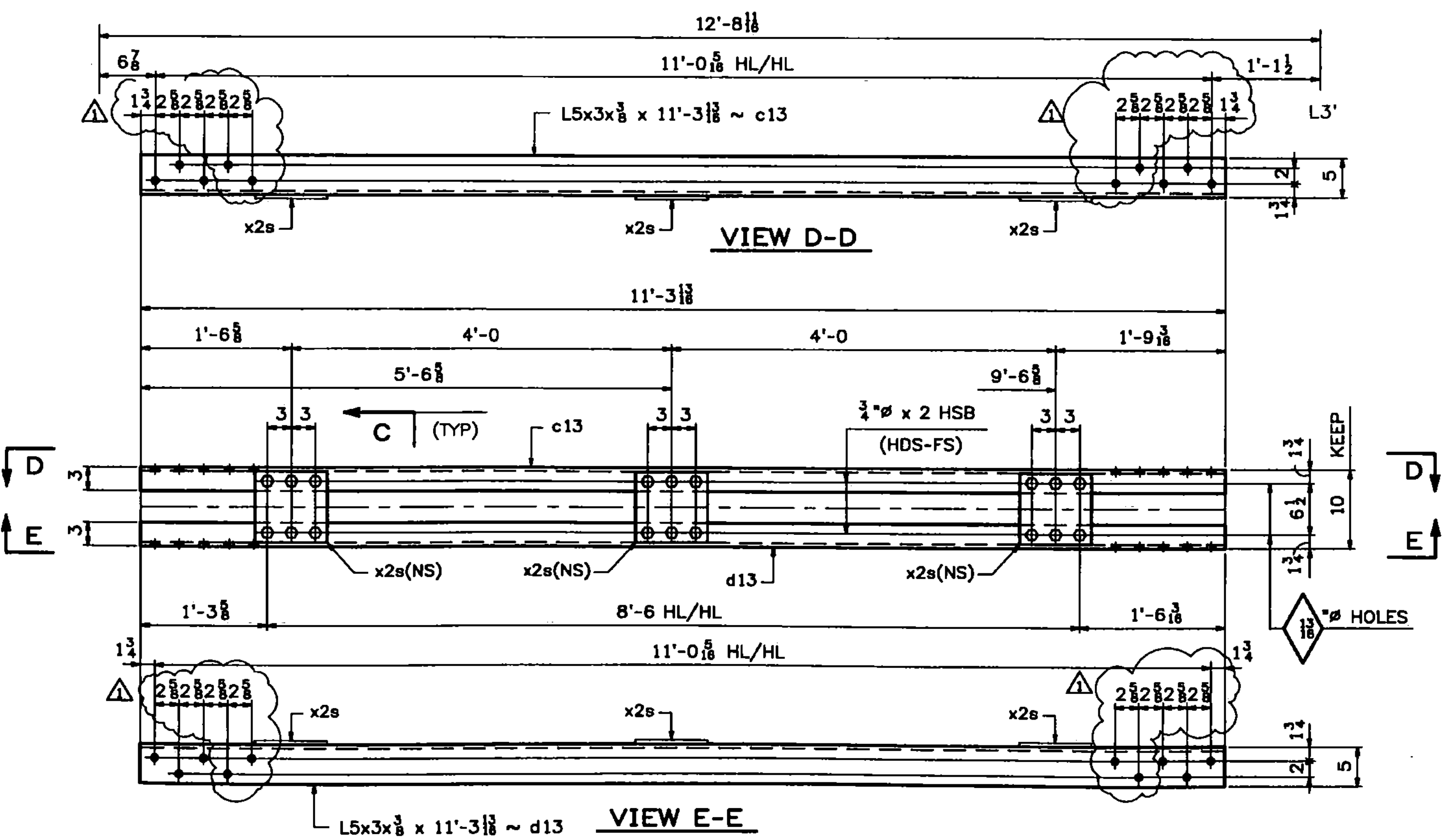


152 STRUCTURAL
STEEL



ONE - DIAGONAL - 13D5W
(U3-CTR WEST)
ONE - DIAGONAL - 13D5E
(U3-CTR EAST)
ALIKE EXCEPT FOR MARK



ONE - DIAGONAL - 13D6W
(CTR-L3' WEST)
ONE - DIAGONAL - 13D6E
(CTR-L3' EAST)
ALIKE EXCEPT FOR MARK

ABM INFO		SHIP		BILL OF MATERIAL				JOB NO.	DRAWING NO.	REV.
								454	13	
PAGE	LINE	MARK	QTY	MARK	MATERIAL	LENGTH		REMARKS	WT	PROCUREMENT NOTES
						FT	INCHES			
					DIAGONAL			ALIKE EXCEPT FOR MARK	254	
					DIAGONAL				254	
4	C		2	a13	L 5x3x3/8	11	4 3/8	(GALVANIZED) M270-5012		
4	C		2	b13	L 5x3x3/8	11	4 3/8	(GALVANIZED) M270-5012		
4	G		6	x2s	PL 1/8 x 9	0	9 1/2	(GALVANIZED)		
10	C		36		1/4\"/>					

T2 - DENOTES MATERIAL SUBJECT TO CHARPY V-NOTCH TESTING

Vermont Agency of Transportation

RECEIVED

CK'D BY TCF OK'D BY SSS

7:43 am, Apr 12, 2011

RESUBMIT APPROVED X

BY KMH DATE 4-12-11

SHOP NOTE:
ALL STEEL FOR DIAGONAL ASSEMBLIES SHALL BE GALVANIZED

- NOTES:
- FOR GENERAL NOTES SEE DWG. GN1.
 - FOR STANDARD DETAILS SEE DWG. X2.
 - ALL BOLTS SHALL BE FULLY TORQUED.

03/02/11	REVISED AS PER APPROVAL COMMENTS	JM	PWR			
REV.	DATE	REMARKS	DWN	CHK	APVL	SHOP
MATERIAL: M270-50 (U.N.)		SURFACE PREP. & PAINT: SEE DWG GN1		HOLES: 1/8\"/>		
DESCRIPTION: DIAGONALS 13D5W, 13D5E, 13D6W & 13D6E						
CASCO BAY STEEL STRUCTURES, INC.						
75 SPRING HILL ROAD SACO, MAINE 04072						
PHONE (207) 282-7360 FAX. (207) 282-1179						
STRUCTURE: Vermont Route 100A			DRAWN: RB		DATE: 10/4/10	
Bridge No. 14			CHKD: WJL		DATE: 10/19/10	
Bridgewater						
County of Windsor						
LOCATION: BRIDGEWATER, VERMONT			JOB NO. 454		DWG NO. 13	
PROJ NO. BRS 0149(4)					REV. A	
CUSTOMER: VT AOT						