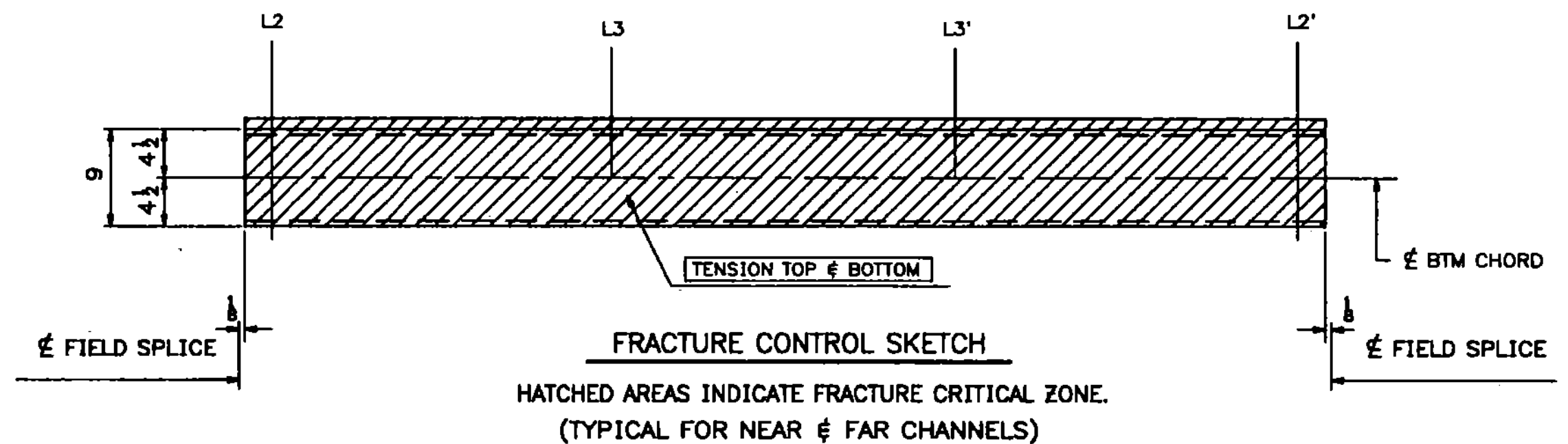


CAMBER DIAGRAM FOR 3BC2W



ABM INFO		SHIP	BILL OF MATERIAL				JOB NO.	DRAWING NO.	REV.
							454	4C	
PAGE	LINE	MARK	QTY	MARK	MATERIAL	LENGTH	REMARKS	WT	PROCUREMENT NOTES
						FT INCHES			
		4BC2E	1		BOTTOM CHORD				4B4
1	C		1	c4	C 9x20	54 4 1/4	(GALVANIZED) M270-50F2 (FCM)		
1	C		1	b4	C 9x20	54 4 1/4	(GALVANIZED) M270-50F2 (FCM)		
1	E		1	c4	PL 1/2 x 10	54 4 1/4	(GALVANIZED) M270-50F2 (FCM)		
1	M		4	x1g	PL 1/2 x 29	2 9 1/8	(GALVANIZED) M270-50T2		
1	N		4	x1h	PL 1/2 x 29	3 2 1/2	(GALVANIZED) M270-50T2		
1	Q		4	x1n	PL 1/2 x 29	2 5 1/2	(GALVANIZED) M270-50T2		
1	R		12	x1p	PL 1/2 x 9	0 10	(GALVANIZED) M270-50T2		
10	D		120		1 # HSB	0 2 1/2	(GALVANIZED) A325-1		
10	E		206		1 # HSB	0 2 1/2	(GALVANIZED) A325-1		
10	F		326		1 # HSW		(GALVANIZED) F436		
10	Q		326		BEVEL WASH FOR 3/8 # HSB		(GALVANIZED) F436		

F2 DENOTES FRACTURE CRITICAL MATERIAL
T2 DENOTES MATERIAL SUBJECT TO CHARPY V-NOTCH TESTING

Vermont Agency of Transportation
RECEIVED
CK'D BY TCF OK'D BY SSS
7:43 am, Apr 12, 2011
RESUBMIT APPROVED X
BY KMH DATE 4-12-11

03/01/11	REVISED AS PER APPROVAL COMMENTS	JM	PWR			
REV.	DATE	REMARKS	DWN	CHK	APVL	SHOP
MATERIAL:	SURFACE PREP. & PAINT:	HOLES:	SHOP BOLTS:			
M270-50 (U.N.)	SEE DWG GN1	1/8" Ø (U.N.)	AS NOTED			
DESCRIPTION: BOTTOM CHORD 4BC2E						
CASCO BAY STEEL STRUCTURES, INC.						
75 SPRING HILL ROAD			SACO, MAINE 04072			
PHONE (207) 282-7360			FAX. (207) 282-1179			
STRUCTURE:	Vermont Route 100A	DRAWN:	DATE:			
	Bridge No. 14	RB	9/27/10			
	Bridgewater	CHKD:	DATE:			
	County of Windsor	WJL	10/18/10			
LOCATION:	BRIDGEWATER, VERMONT	JOB NO.	DWG NO.			
PROJ NO.	BRS 0149(4)	454	4C			
CUSTOMER:	VT AOT			REV.	△	

WORK THIS DWG. WITH DWG. 4AC & 4BC.