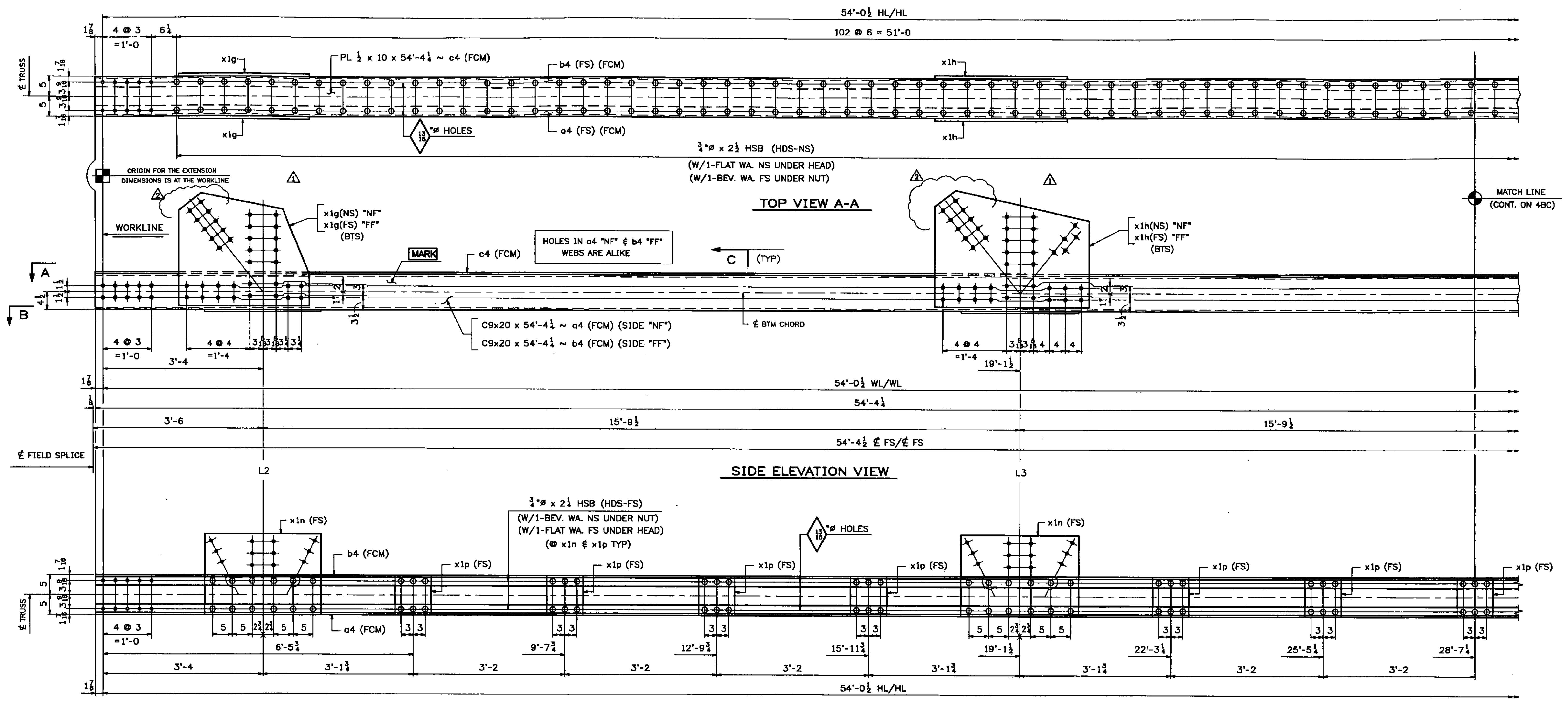
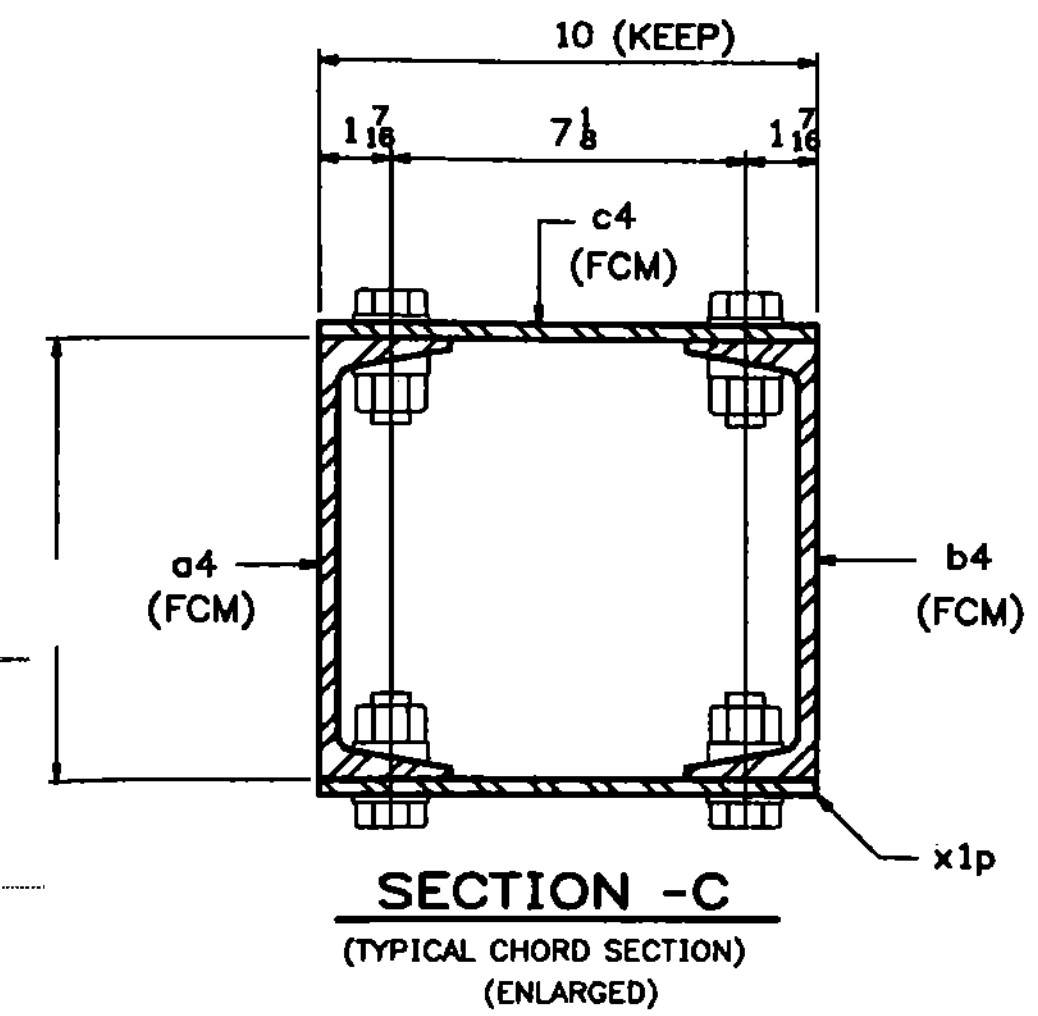


137 STRUCTURAL STEEL



Vermont Agency of Transportation
RECEIVED
 CK'D BY TCF OK'D BY SSS
 7:43 am, Apr 12, 2011
 RESUBMIT APPROVED X
 BY KMH DATE 4-12-11



SECTION B-B
 ONE - BOTTOM CHORD - 4BC2E
 (L2-L2' EAST)

SHOP NOTE:
 ALL STEEL FOR BOTTOM CHORD ASSEMBLY SHALL BE GALVANIZED

- NOTES:**
1. FOR GENERAL NOTES SEE DWG. GN1.
 2. FOR STANDARD DETAILS SEE DWG. X1.
 3. "NF" - DENOTES NEAR FACE OF ASS'Y.
 4. "FF" - DENOTES FAR FACE OF ASS'Y.
 5. "BF" - DENOTES BOTH FACES OF ASSEMBLY.
 6. FCM - DENOTES FRACTURE CRITICAL MATERIAL.
 7. ALL BOLTS SHALL BE FULLY TORQUED (UN).
 8. BTS - DENOTES BOLT TO SHIP OR SECURE FOR SHIPMENT.
 9. HDS - DENOTES BOLT HEADS.

WORK THIS DWG. WITH DWG. 4BC & 4C.

03/23/11	REVISED AS PER APPROVAL COMMENTS	JM	PWR			
03/01/11	REVISED AS PER APPROVAL COMMENTS	JM	PWR			
0						
REV.	DATE	REMARKS	DWN	CHK	APVL	SHOP
MATERIAL:		SURFACE PREP. & PAINT:	HOLES:		SHOP BOLTS:	
M270-50 (U.N.)		SEE DWG GN1	1/8" @ (U.N.)		AS NOTED	
DESCRIPTION:		BOTTOM CHORD 4BC2E				
CASCO BAY STEEL STRUCTURES, INC.						
75 SPRING HILL ROAD		SACO, MAINE 04072		TENSOR 3015		
PHONE (207) 282-7360		FAX. (207) 282-1179				
STRUCTURE:	Vermont Route 100A	DRAWN:	RB	DATE:	9/27/10	
	Bridge No. 14			CHKD:	DATE:	
	Bridgewater			WJL	10/18/10	
	County of Windsor					
LOCATION:	BRIDGEWATER, VERMONT	JOB NO.	454	DWG NO.	4AC	
PROJ NO.	BRS 0149(4)			REV.		
CUSTOMER:	VT AOT					