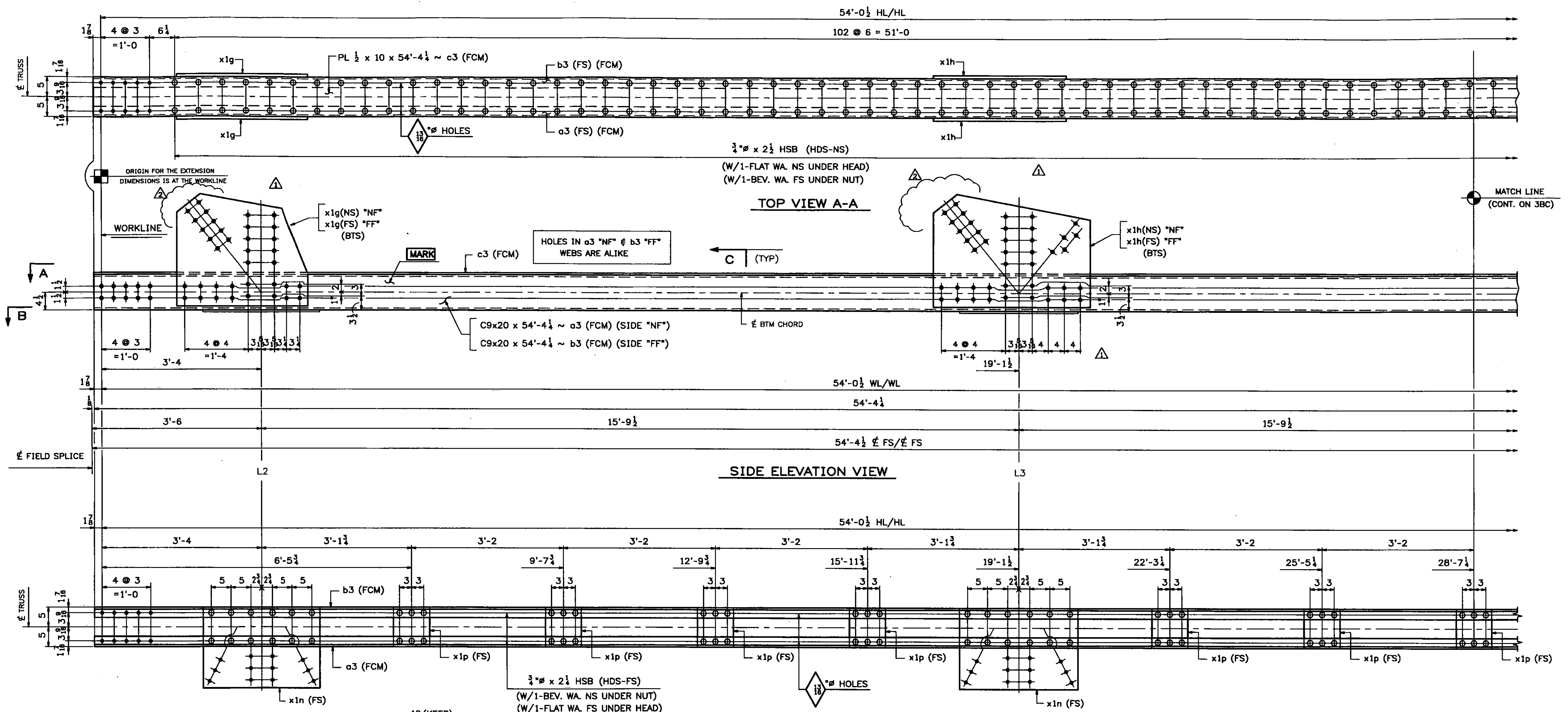


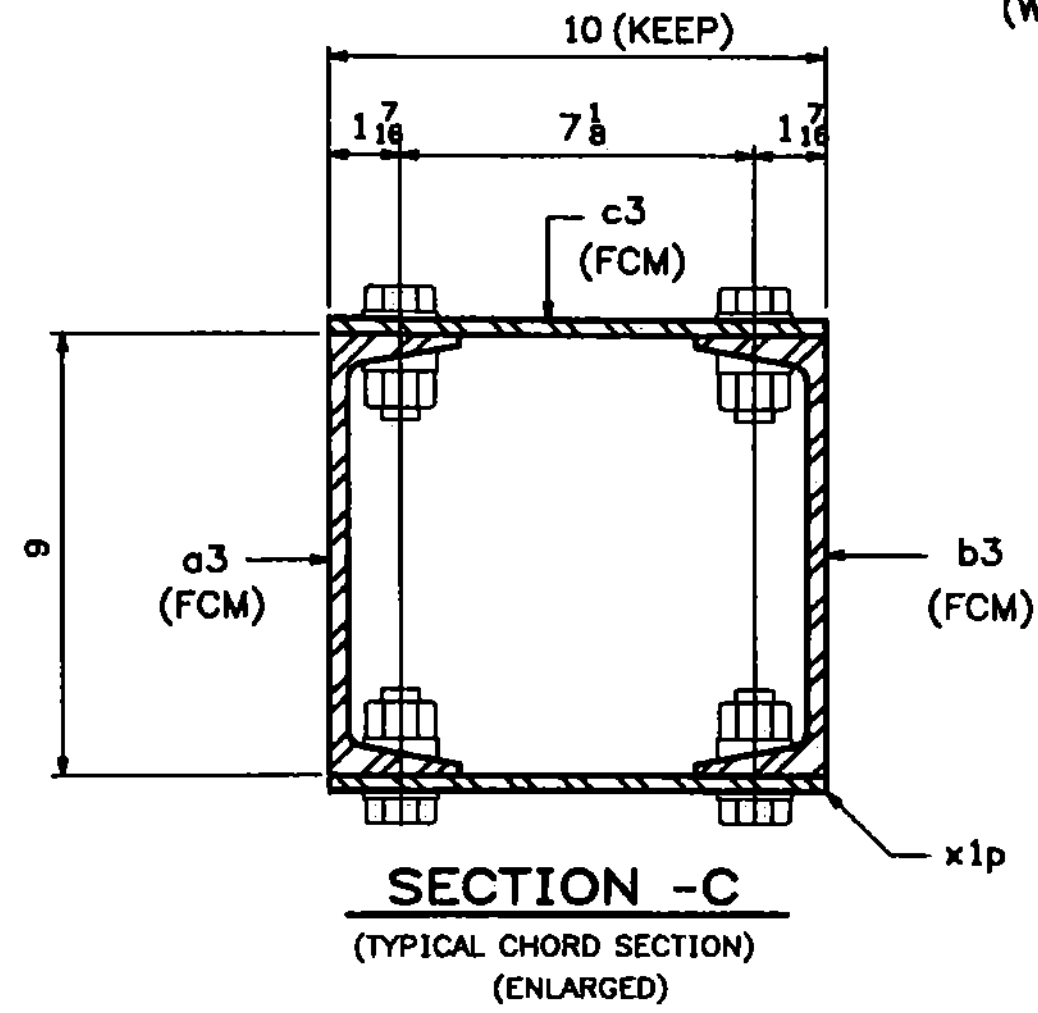
134 STRUCTURAL
STEEL



ONE - BOTTOM CHORD - 3BC2W
(L2-L2' WEST)

SHOP NOTE:
ALL STEEL FOR BOTTOM CHORD
ASSEMBLY SHALL BE GALVANIZED

- NOTES:
1. FOR GENERAL NOTES SEE DWG. GN1.
 2. FOR STANDARD DETAILS SEE DWG. X1.
 3. "NF" - DENOTES NEAR FACE OF ASSY.
 4. "FF" - DENOTES FAR FACE OF ASSY.
 5. "BF" - DENOTES BOTH FACES OF ASSEMBLY.
 6. FCM - DENOTES FRACTURE CRITICAL MATERIAL.
 7. ALL BOLTS SHALL BE FULLY TORQUED (UN).
 8. BTS - DENOTES BOLT TO SHIP OR SECURE FOR SHIPMENT.
 9. HDS - DENOTES BOLT HEADS.



Vermont Agency of Transportation
RECEIVED
CK'D BY TCF OK'D BY SSS
7:43 am, Apr 12, 2011
RESUBMIT APPROVED X
BY KMH DATE 4-12-11

03/23/11	REVISED AS PER APPROVAL COMMENTS	JM	PWR		
02/28/11	REVISED AS PER APPROVAL COMMENTS	JM	PWR		
0					
REV. DATE	REMARKS	DWN	CHK	APVL	SHOP
MATERIAL: M270-50 (U.N.)		SURFACE PREP. & PAINT: SEE DWG GN1		Holes: 1/8" (U.N.) SHOP BOLTS: AS NOTED	
DESCRIPTION: BOTTOM CHORD 3BC2W					
CASCO BAY STEEL STRUCTURES, INC.					
75 SPRING HILL ROAD SACO, MAINE 04072					
PHONE (207) 282-7360 FAX. (207) 282-1179					
STRUCTURE: Vermont Route 100A Bridge No. 14 Bridgewater County of Windsor				DRAWN: RB	DATE: 9/27/10
LOCATION: BRIDGEWATER, VERMONT				CHKD: WJL	DATE: 10/18/10
PROJ NO. BRS 0149(4)				JOB NO. 454	DWG NO. 3AC
CUSTOMER: VT AOT				REV. 4	

WORK THIS DWG. WITH DWG. 3BC & 3C.