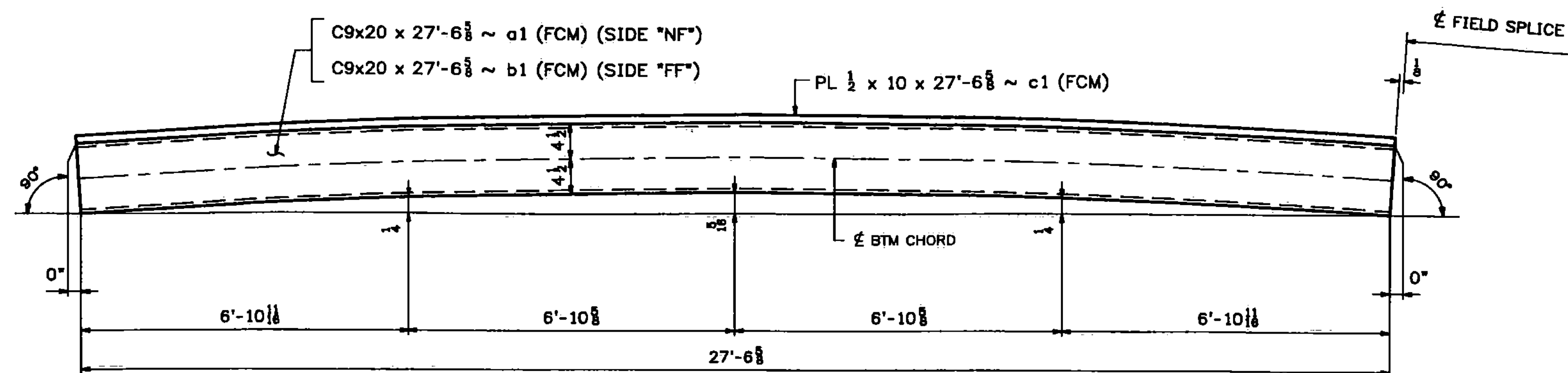
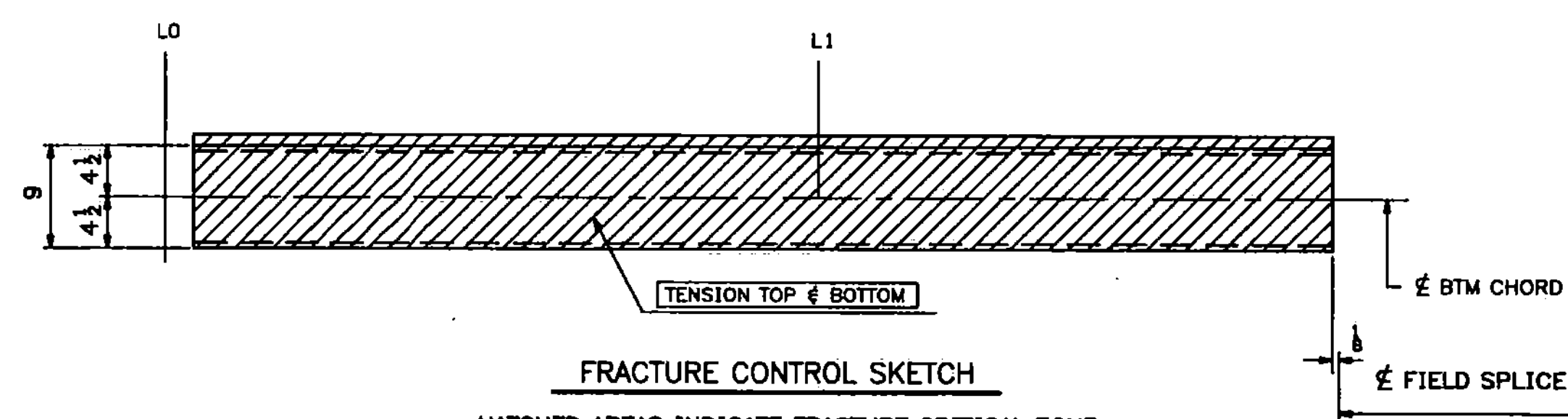


131 STRUCTURAL STEEL



CAMBER DIAGRAM FOR 1BC1W & 1BC3E



FRACTURE CONTROL SKETCH
HATCHED AREAS INDICATE FRACTURE CRITICAL ZONE.
(TYPICAL FOR NEAR & FAR CHANNELS)

JOB NO.		DRAWING NO.		REV.			
484		1B					
ASB INFO	SHIP	BILL OF MATERIAL		REMARKS	WT	PROCUREMENT NOTES	
PAGE	LINE	MARK	QTY	MARK	MATERIAL	LENGTH	
						FT	INCHES
		1BC1W	1		BOTTOM CHORD		
		1BC3E	1		BOTTOM CHORD		
1	B	2	a1	C	9x20	27	6 1/8
					(GALVANIZED) M270-50F2		(FCM)
1	B	2	b1	C	9x20	27	6 1/8
					(GALVANIZED) M270-50F2		(FCM)
1	D	2	c1	PL	1/2x10	27	6 1/8
					(GALVANIZED) M270-50F2		(FCM)
1	G	4	x1a	PL	1/2x7	2	7 1/2
					(GALVANIZED) M270-50F2		(FCM)
1	H	4	x1b	PL	1/2x10	2	7 1/2
					(GALVANIZED) M270-50F2		(FCM)
1	K	2	x1c	PL	1/2x27 1/8	2	4
					(GALVANIZED) M270-50T2		
1	K	2	x1d	PL	1/2x27 1/8	2	4
					(GALVANIZED) M270-50T2		
1	L	4	x1f	PL	1/2x16 1/8	2	2
					(GALVANIZED) M270-50T2		
1	Q	2	x1n	PL	1/8x20 1/2	2	5 1/2
					(GALVANIZED) M270-50T2		
1	R	14	x1p	PL	1/8x9	0	10
					(GALVANIZED) M270-50T2		
10	D	108		3/8	HSB	0	2 1/2
					(GALVANIZED) A325-1		
10	E	208		3/8	HSB	0	2 1/2
					(GALVANIZED) A325-1		
10	P	316		3/8	HSW		
					(GALVANIZED) F438		
10	Q	316		3/8	HSB		
					(GALVANIZED) F438		

F2 DENOTES FRACTURE CRITICAL MATERIAL
T2 DENOTES MATERIAL SUBJECT TO CHARPY V-NOTCH TESTING

Vermont Agency of Transportation

RECEIVED

CK'D BY TCF OK'D BY SSS

7:43 am, Apr 12, 2011

RESUBMIT APPROVED X
BY KMH DATE 4-12-11

WORK THIS DWG. WITH DWG. 1AB.

02/28/11	REVISED AS PER APPROVAL COMMENTS	JM	PWR		
REV.	DATE	REMARKS	DWN	CHK	APVL
					SHOP
MATERIAL:	SURFACE PREP. & PAINT:	HOLES:	SHOP BOLTS:		
M270-50 (U.N.)	SEE DWG GN1	1/8" Ø (U.N.)	AS NOTED		
DESCRIPTION: BOTTOM CHORD 1BC1W & 1BC3E					
CASCO BAY STEEL STRUCTURES, INC.					
75 SPRING HILL ROAD SACO, MAINE 04072					
PHONE (207) 282-7360 FAX. (207) 282-1179					
STRUCTURE:	Vermont Route 100A	DRAWN:	DATE:		
	Bridge No. 14	RB	9/21/10		
	Bridgewater	CHKD:	DATE:		
	County of Windsor	WJL	10/15/10		
LOCATION:	BRIDGEWATER, VERMONT	JOB NO.	DWG NO.		
PROJ NO.	BRS 0149(4)	454	1B		
CUSTOMER:	VT AOT		REV.		