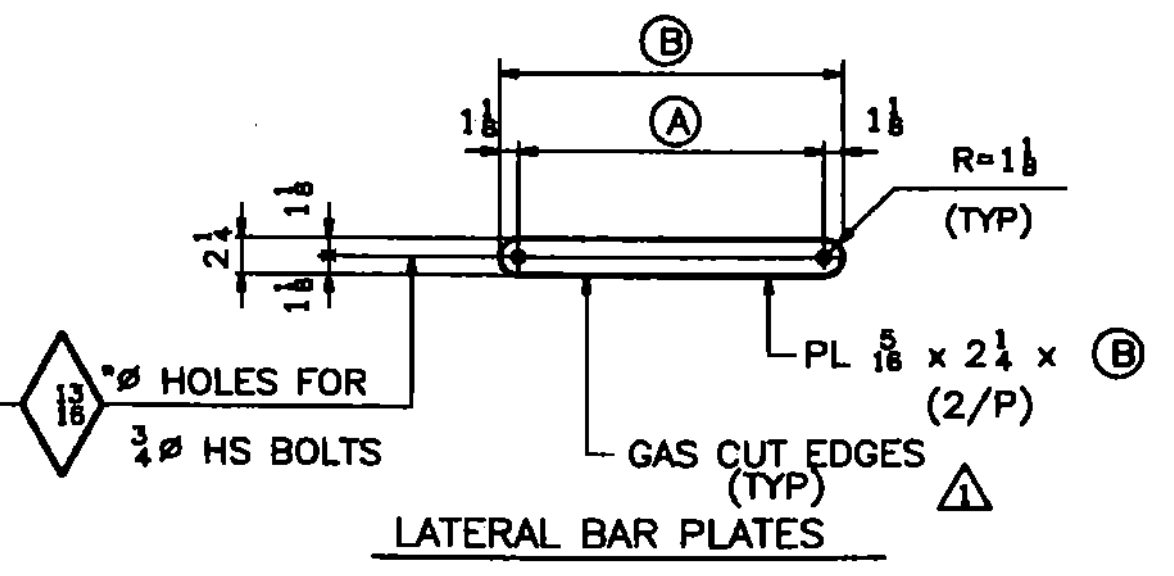


Vermont Agency of Transportation
RECEIVED
CK'D BY TCF OK'D BY SSS
7:43 am, Apr 12, 2011

RESUBMIT BY KMH APPROVED DATE 4-12-11



| MARK | REQ'D | (A) | (B) |
|-------------------|-------|----------|----------|
| (@ DIAGONALS) x1v | 128 | 1'-6 1/8 | 1'-8 1/8 |
| (@ DIAGONALS) x1w | 16 | 1'-5 7/8 | 1'-8 1/8 |

SHOP NOTE:
ALL STEEL PARTS ON THIS DRAWING SHALL BE GALVANIZED

- NOTES:**
- FOR GENERAL NOTES SEE DWG. GN1.
 - CVN - DENOTES MATERIAL SUBJECT TO CHARPY V-NOTCH TESTING.
 - FCM - DENOTES FRACTURE CRITICAL MATERIAL.
 - D.O.R. - DENOTES DIRECTION OF MILL ROLLING.

| 03/23/11 | REVISED AS PER APPROVAL COMMENTS | JM | PWR | | |
|---|----------------------------------|---|-----|-------------------|------|
| 02/28/11 | REVISED AS PER APPROVAL COMMENTS | JM | PWR | | |
| 0 | | | | | |
| REV. DATE | REMARKS | DWN | CHK | APVL | SHOP |
| MATERIAL: M270-50 (U.N.) | | SURFACE PREP. & PAINT: SEE DWG GN1 | | HOLES: 1/8 (U.N.) | |
| SHOP BOLTS: NONE | | DESCRIPTION: LOWER CHORD & DIAGONAL STANDARDS | | | |
| CASCO BAY STEEL STRUCTURES, INC. | | | | | |
| 75 SPRING HILL ROAD | | SACO, MAINE 04072 | | TENSOR 3018 | |
| PHONE (207) 282-7360 | | FAX (207) 282-1179 | | | |
| STRUCTURE: Vermont Route 100A | | DRAWN: RB | | DATE: 9/20/10 | |
| Bridge No. 14 | | CHKD: WJL | | DATE: 10/14/10 | |
| Bridgewater | | JOB NO. 454 | | DWG NO. X1 | |
| County of Windsor | | CUSTOMER: VT AOT | | REV. A | |