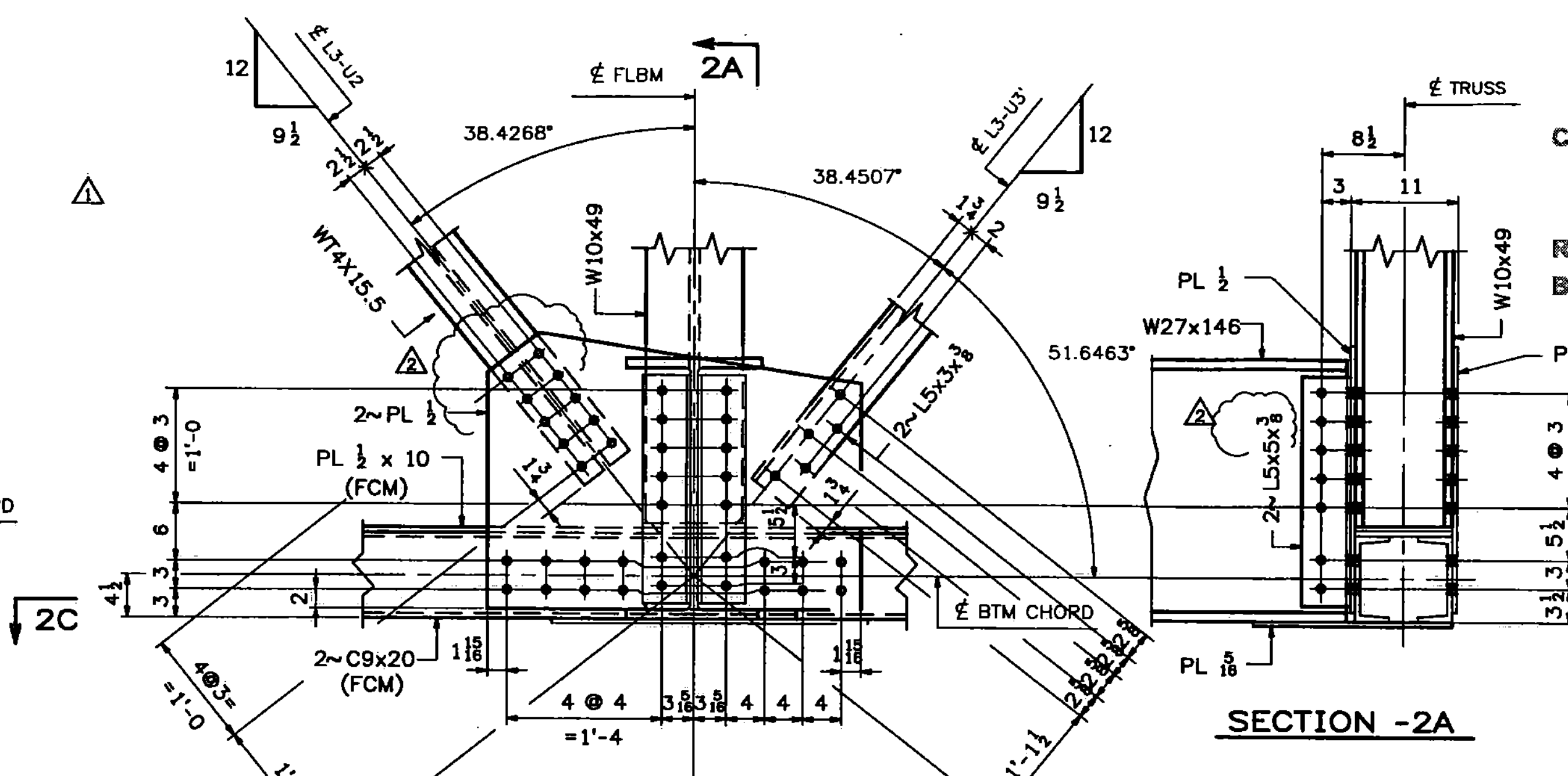
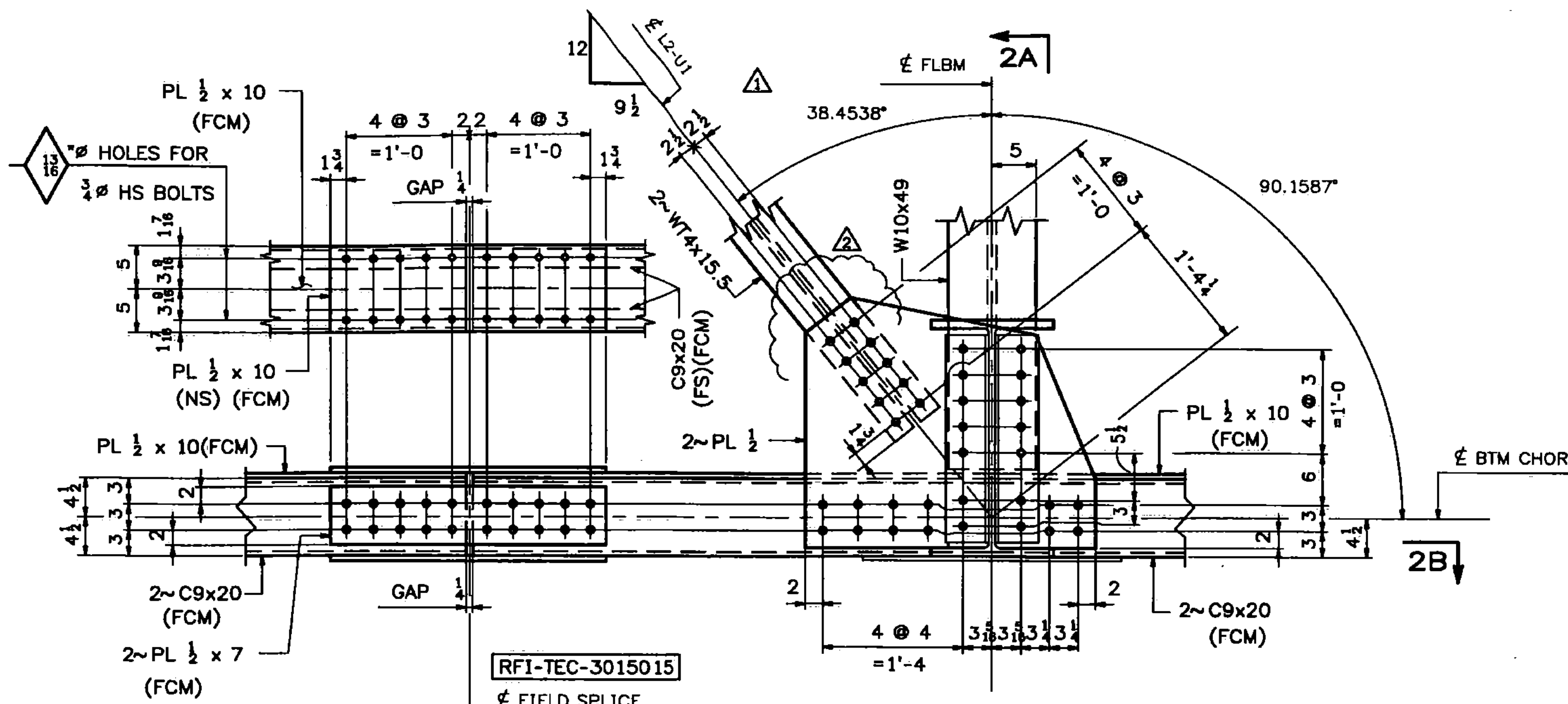
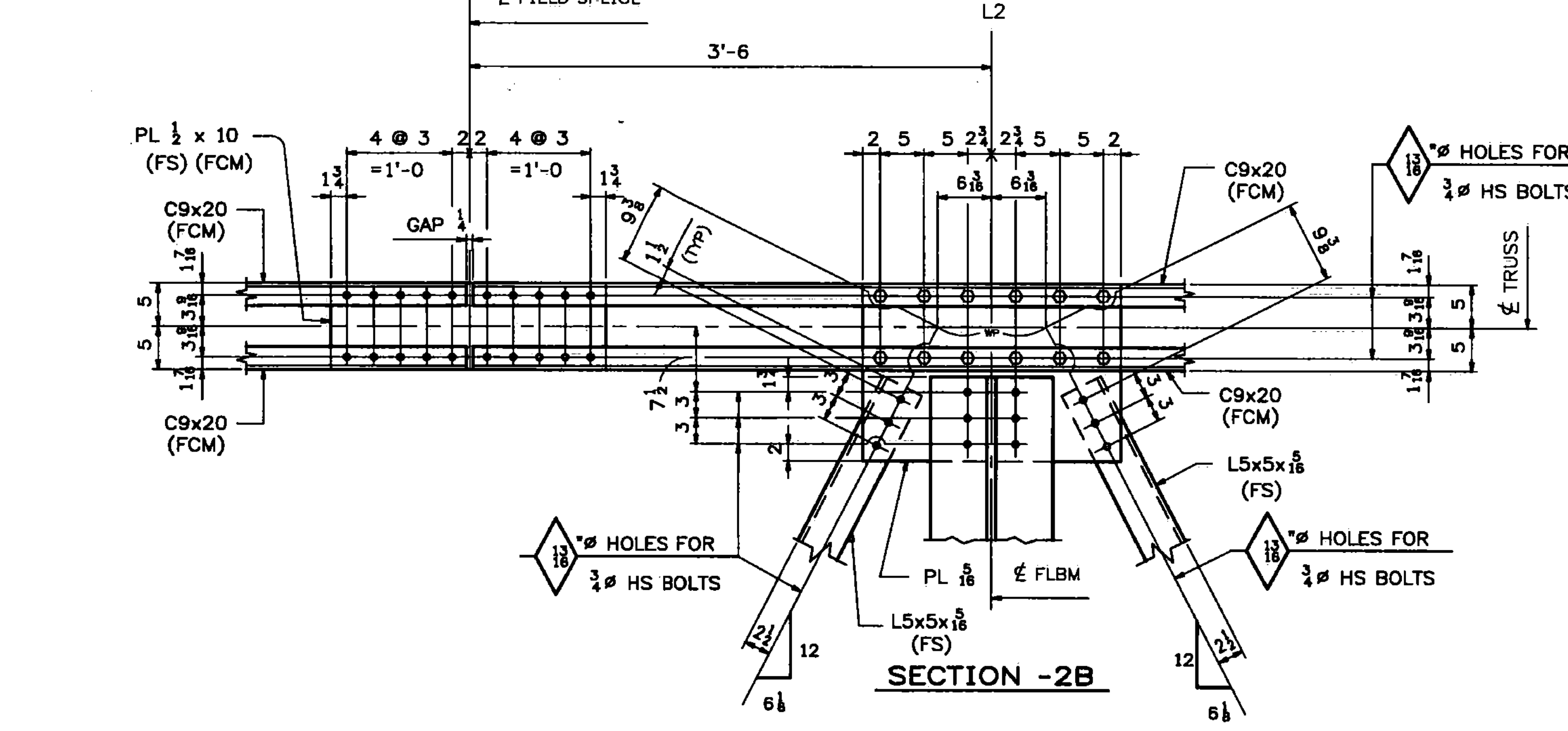


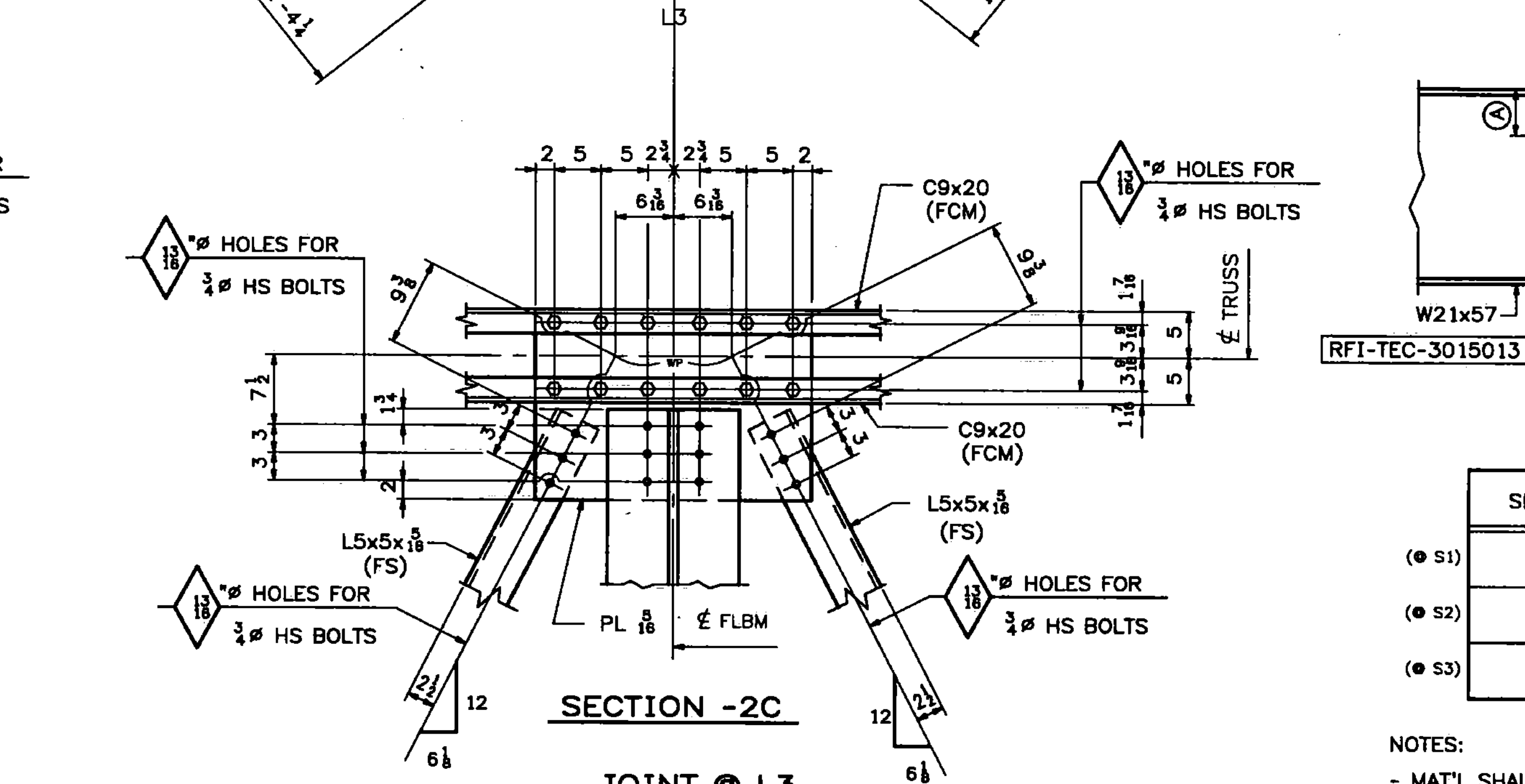
Vermont Agency of Transportation  
**RECEIVED**  
 CK'D BY TCF OK'D BY SSS  
 7:43 am, Apr 12, 2011  
 RESUBMIT APPROVED X  
 BY KMH DATE 4-12-11



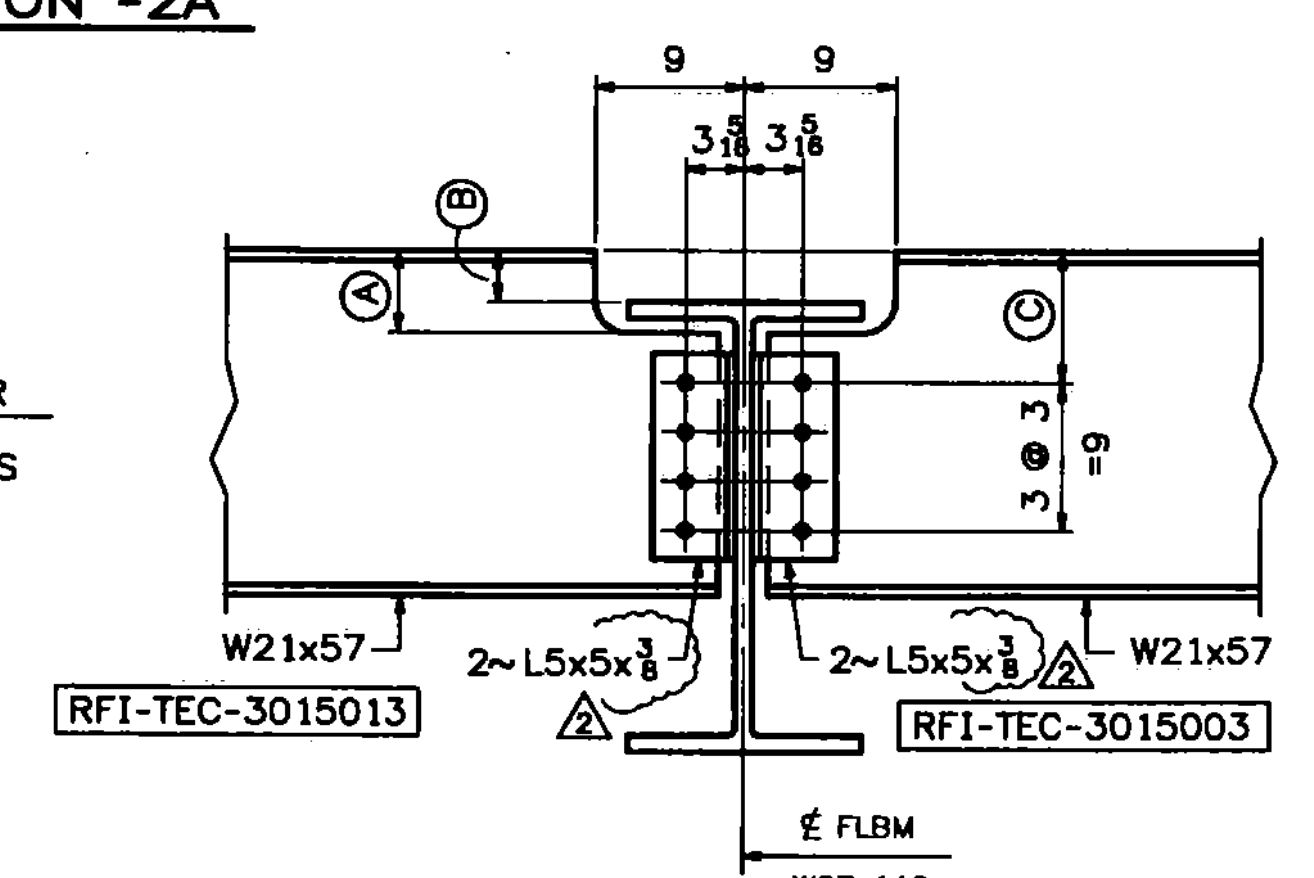
SECTION -2A



SECTION -2B

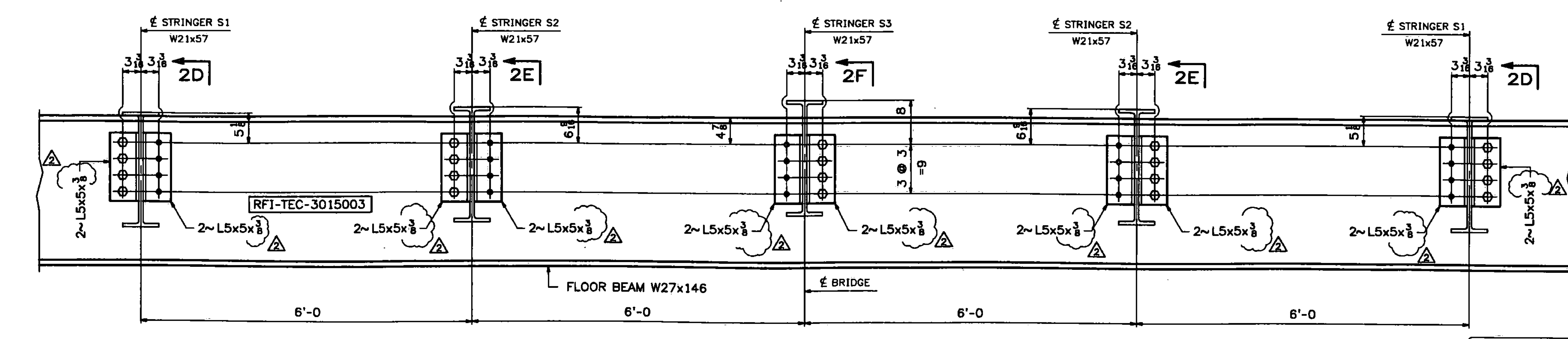


SECTION -2C



SECTION	A	B	C
(S1)	2 1/8"	1/4"	5 1/8"
(S2)	3 1/8"	1 1/8"	6 1/8"
(S3)	5"	3 1/8"	8"

- NOTES:
- MAT'L SHALL BE M270 GR50 (GALVANIZED).
  - HOLES SHALL BE 1/8" (UN).
  - BOLTS SHALL BE 7/8" A325 TYPE 1 (GALVANIZED) (UN).
  - FCM - DENOTES FRACTURE CRITICAL MATERIAL.



PARTIAL FLOOR BEAM ELEVATION  
 (© INTERMEDIATE FLBM - LOOKING SOUTH)

NOTE:  
 THE PURPOSE OF THIS DRAWING IS TO COORDINATE GEOMETRIC CONTROL INFORMATION AND CONNECTION SPACING. THIS DWG IS SUBMITTED FOR INFORMATION ONLY & IS NOT INTENDED FOR SHOP FABRICATION. DETAIL DWGS WILL SHOW ALL WELDING AND DIMENSIONS REQ'D FOR FABRICATION.

03/23/11	REVISED AS PER APPROVAL COMMENTS	JM	PWR		
02/25/11	REVISED AS PER APPROVAL COMMENTS	JM			
0					
REV. DATE	REMARKS	DWN	CHK	APVL	SHOP
MATERIAL:		SURFACE PREP. & PAINT:		HOLES:	
				SHOP BOLTS:	
DESCRIPTION: LAYOUTS @ L2, L3 & FLOOR BEAMS					
<b>CASCO BAY STEEL STRUCTURES, INC.</b>					
75 SPRING HILL ROAD			SACO, MAINE 04072		
PHONE (207) 282-7360			FAX. (207) 282-1179		
STRUCTURE:	Vermont Route 100A	DRAWN:	RB	DATE:	9/14/10
	Bridge No. 14	CHKD:	WJL	DATE:	10/12/10
	Bridgewater				
	County of Windsor				
LOCATION:	BRIDGEWATER, VERMONT	JOB NO.	454	DWG NO.	TD2
PROJ NO.	BRS 0149(4)				
CUSTOMER:	VT AOT				