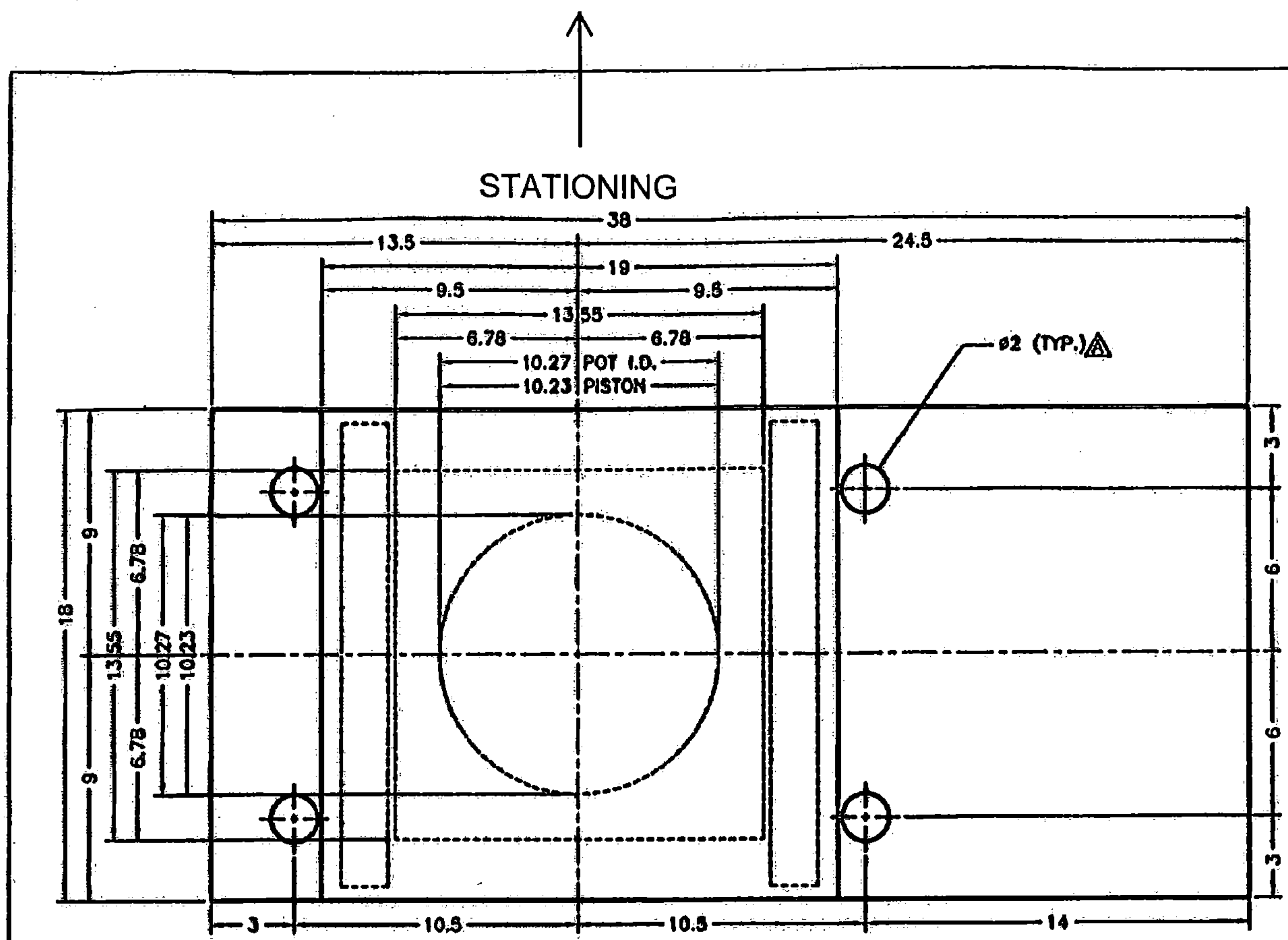
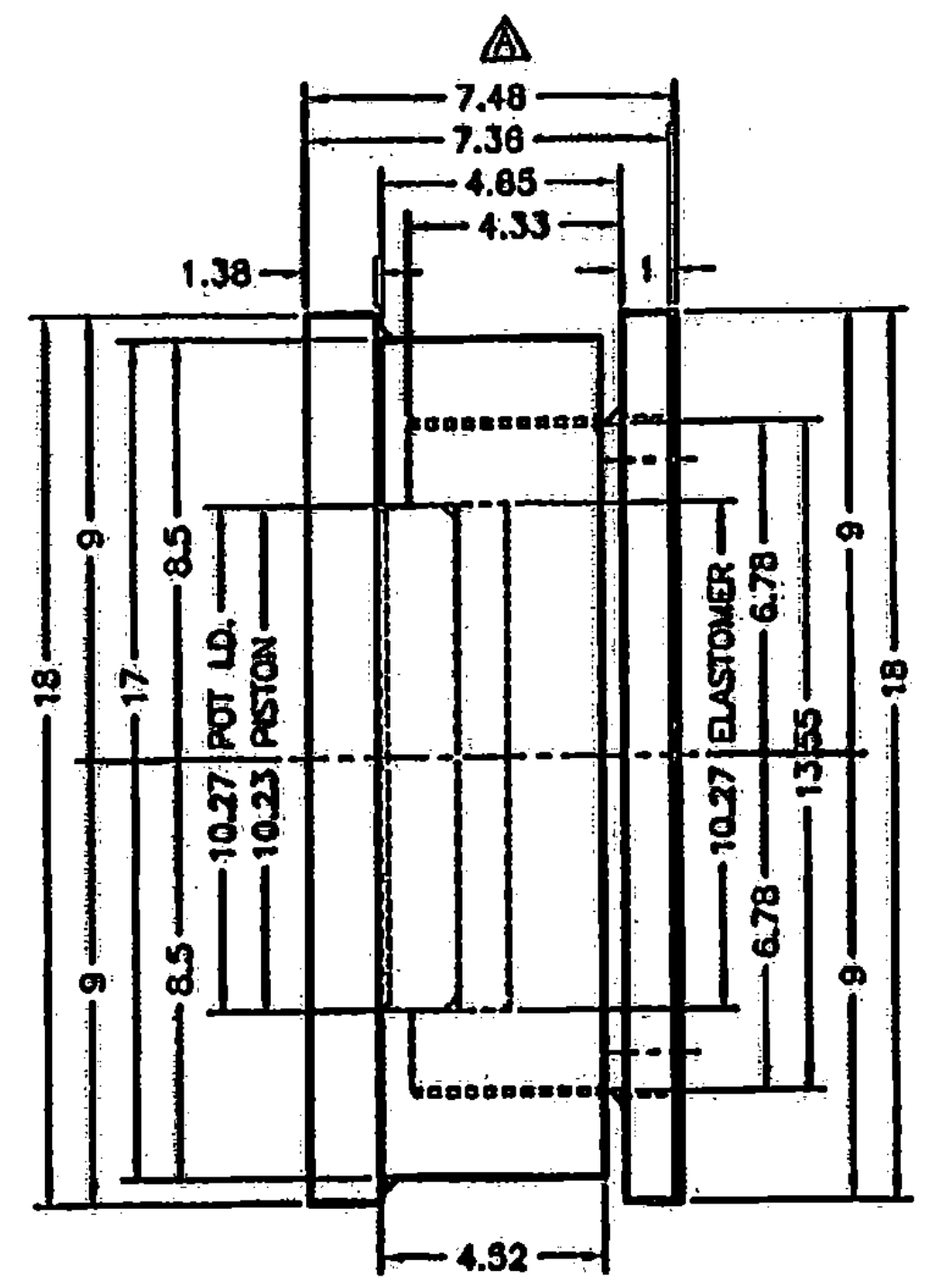


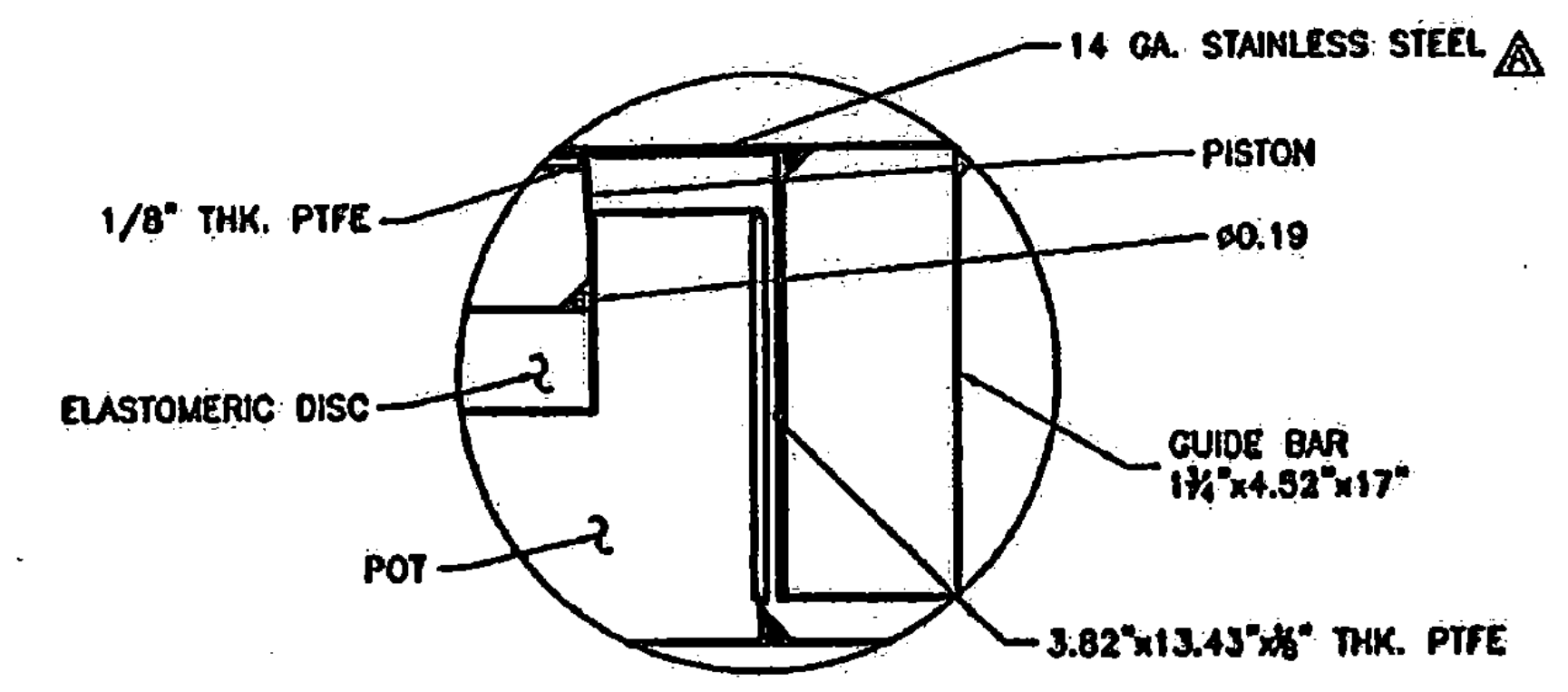
| REVISIONS |     |                     |          |          |
|-----------|-----|---------------------|----------|----------|
| ZONE      | REV | DESCRIPTION         | DATE     | APPROVED |
| --        | A   | PER ENGINEER'S MARK | 10/18/10 | C.A.M.   |



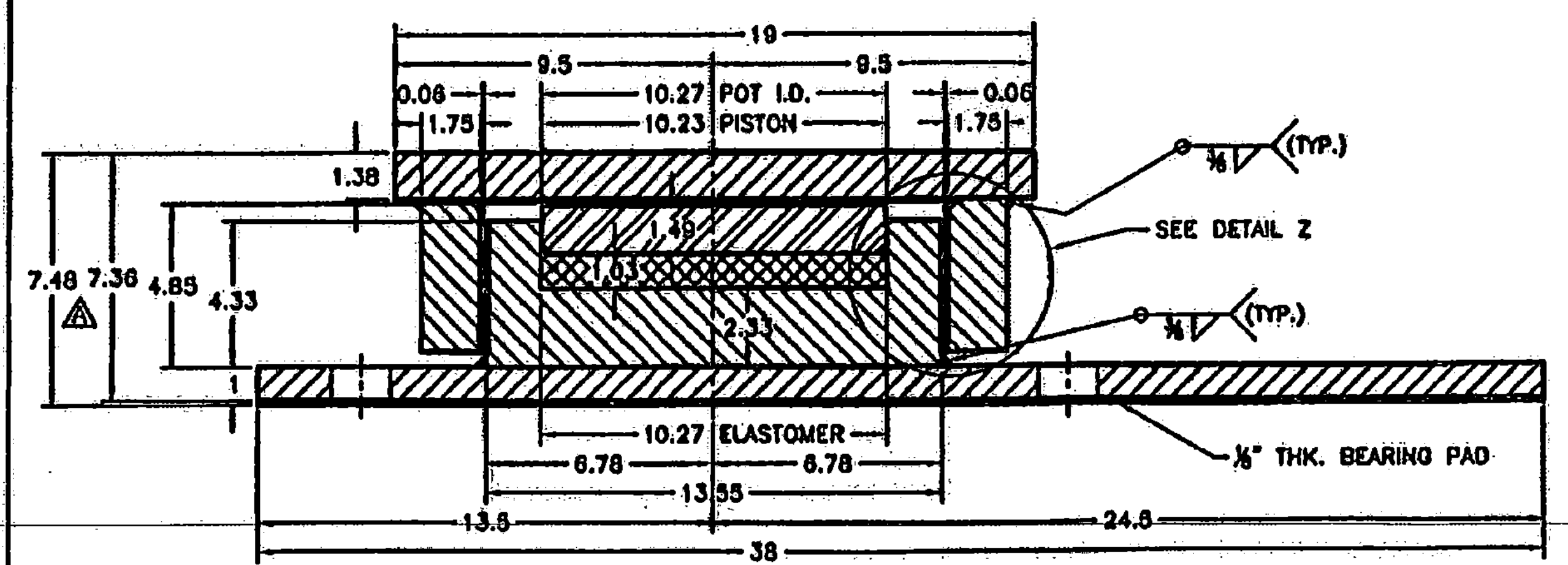
PLAN VIEW



SIDE VIEW



DETAIL Z



ELEVATION VIEW

GUIDED TYPE @ ABUTMENT 1  
 QTY. REQ'D = 1  
 ITEM NO. 531.12  
 VERTICAL CAPACITY = 435 KIPS  
 HORIZONTAL CAPACITY = 175 KIPS

Vermont Agency of Transportation  
**RECEIVED**  
 CK'D BY TCF OK'D BY KMH  
 3:01 pm, Oct 28, 2010  
 RESUBMIT \_\_\_\_\_ APPROVED AS NOTED  
 BY KMH DATE 10-28-10

VERMONT AGENCY OF TRANSPORTATION  
 PROPOSED IMPROVEMENT BRIDGE PROJECT  
 TOWN OF BRIDGEWATER, COUNTY OF WINDSOR  
 VT. ROUTE 100A, BR14 - MAJOR COLLECTOR

GUIDED EXPANSION POT  
 BEARING DETAIL

**AMSCOT**  
 STRUCTURAL PRODUCTS CORP.  
 DOVER, NJ JOB # 3488

|               |               |                  |
|---------------|---------------|------------------|
| SCALE: N.T.S. | CHECKED: B.F. | DRAWN BY: C.A.M. |
| DATE: 8/18/10 | REVISION: A   |                  |

FOR: MILLER CONSTRUCTION, INC.  
 DWG NO: MC10A2RA SHEET NO. 2 OF 5

102 BEARINGS