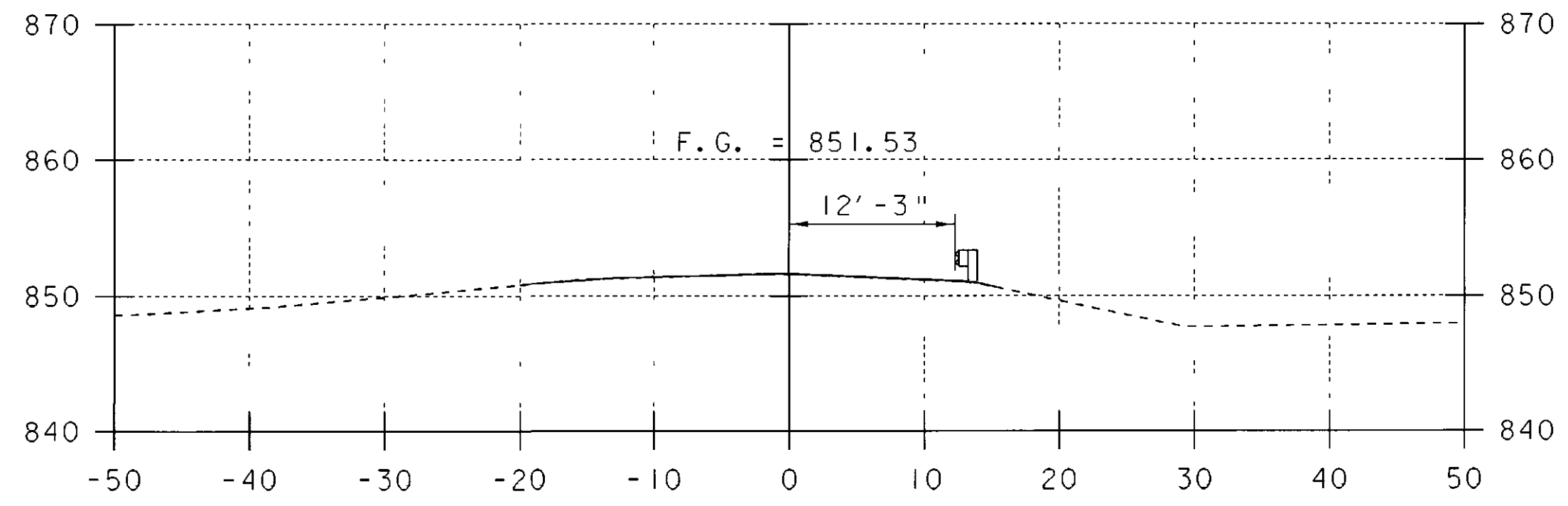
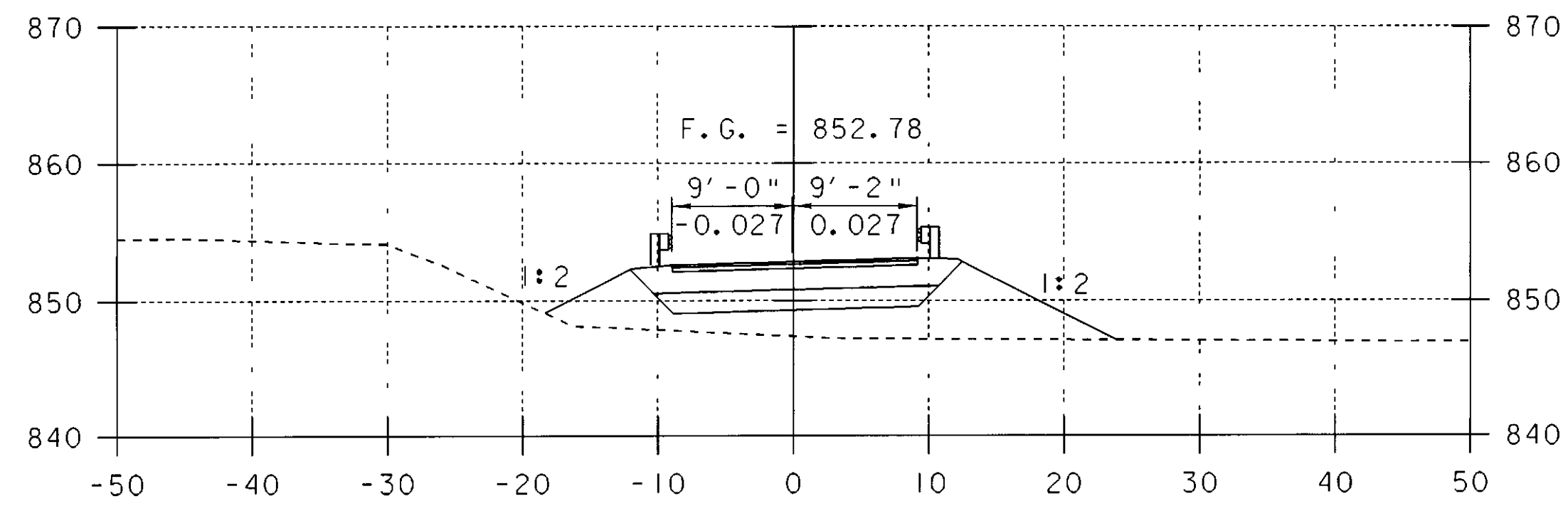


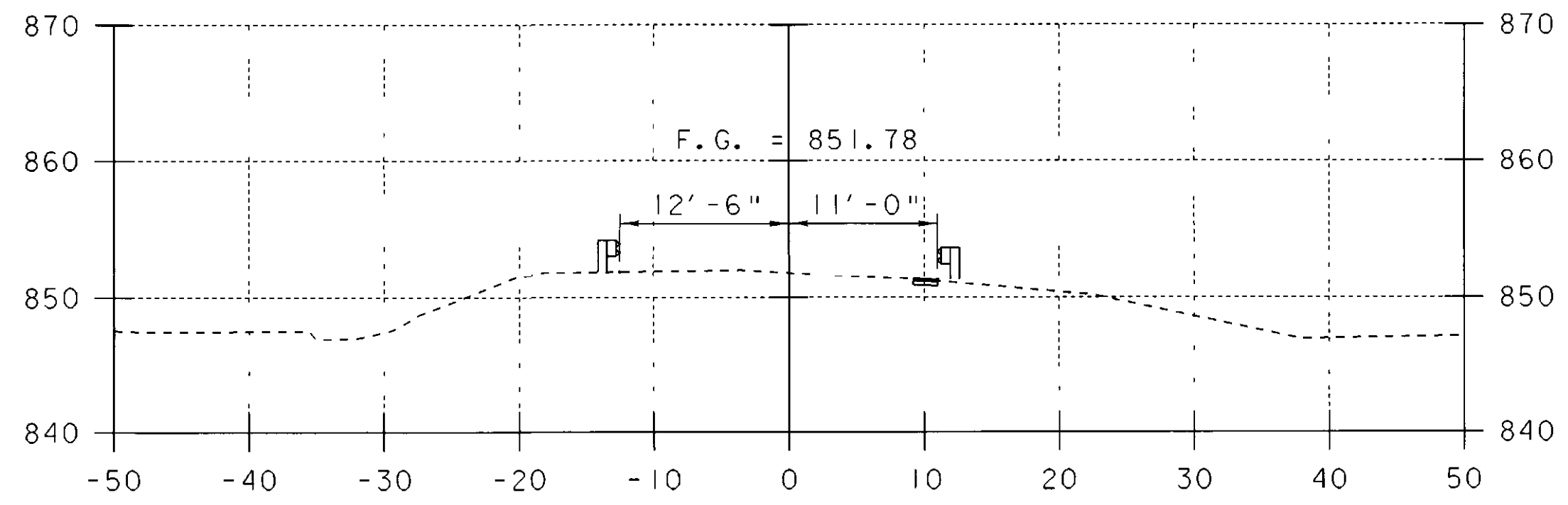
613+50



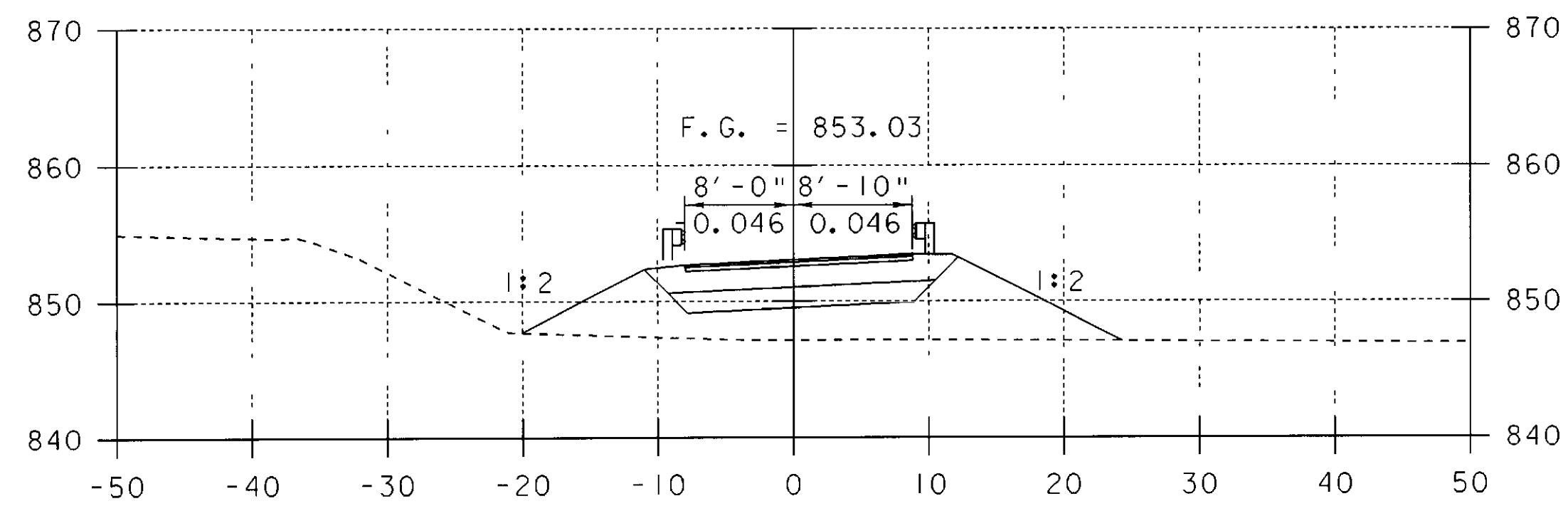
614+50



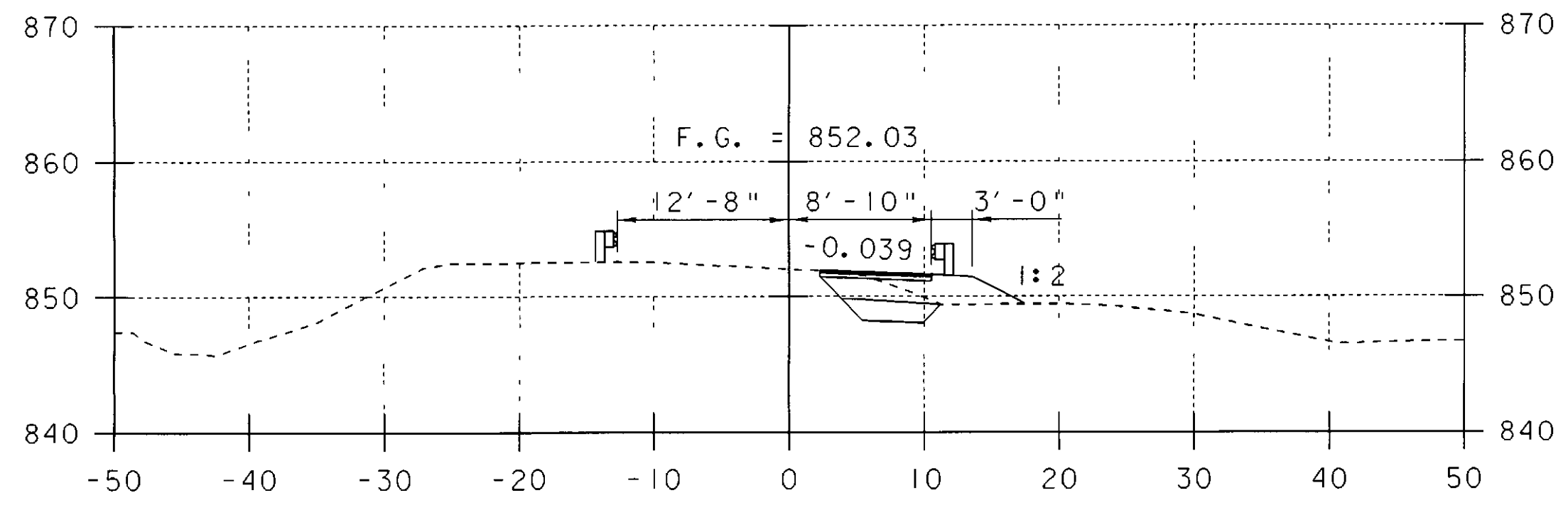
613+25



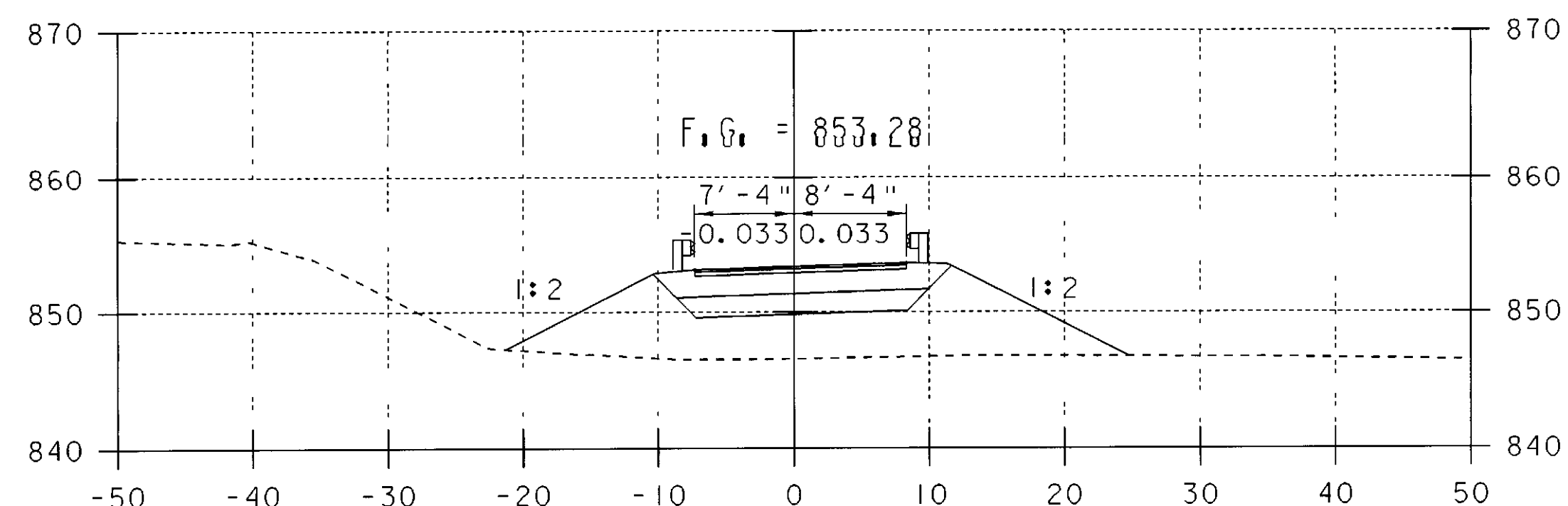
614+25



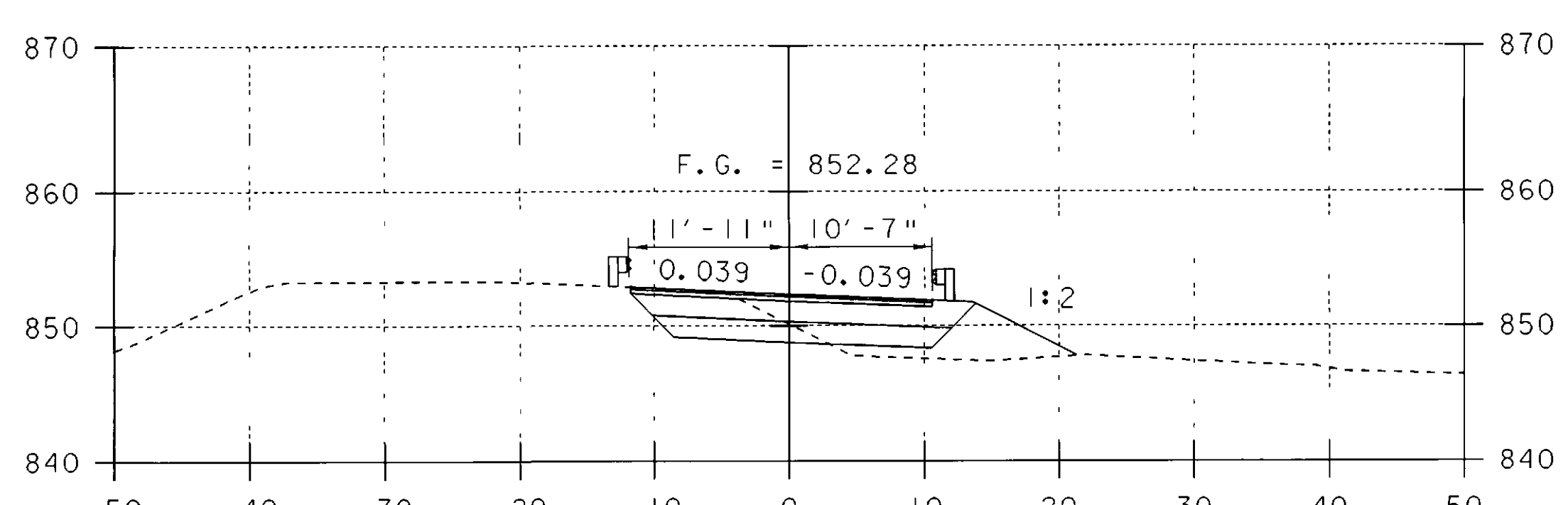
613+00



614+00



612+75



613+75

TEMPORARY BRIDGE CROSS SECTIONS

PROJECT NAME:	BRIDGEWATER	PLOT DATE:	14-SEP-2005
PROJECT NUMBER:	BRS 0149 (4)	DRAWN BY:	T. FILLBACH
FILE NAME:	/str5/86e062/se062xs.dgn	DESIGNED BY:	T. FILLBACH
PROJECT LEADER:	C. KELLER	CHECKED BY:	T. SUMNER
se062xs3.i		SHEET	17 OF 18