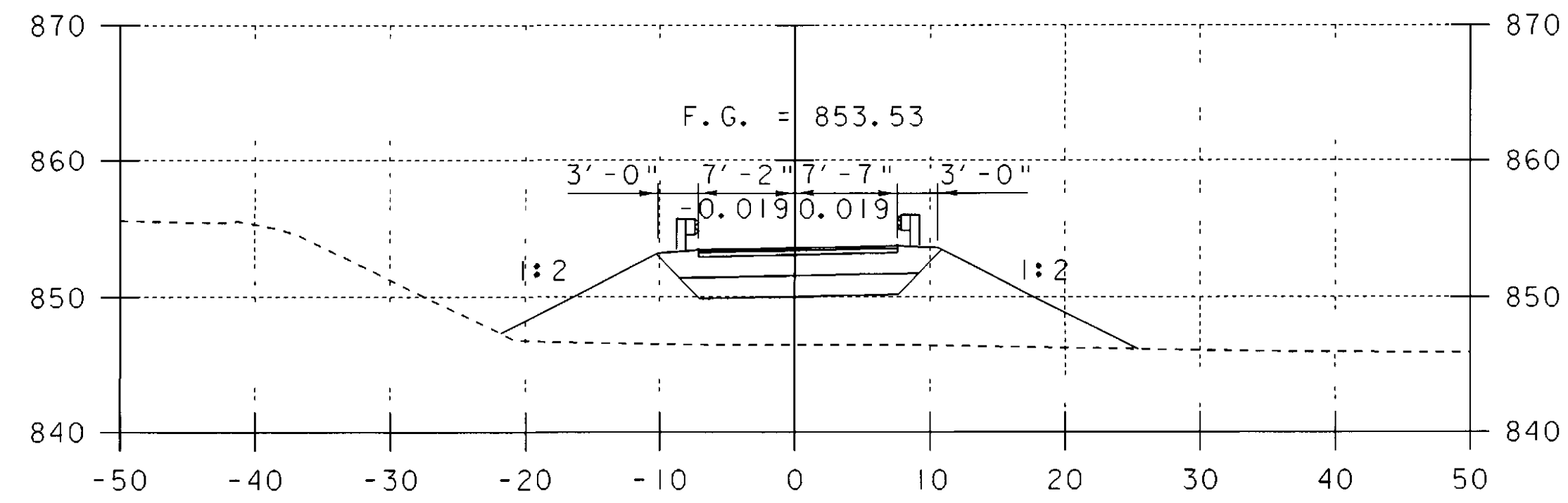
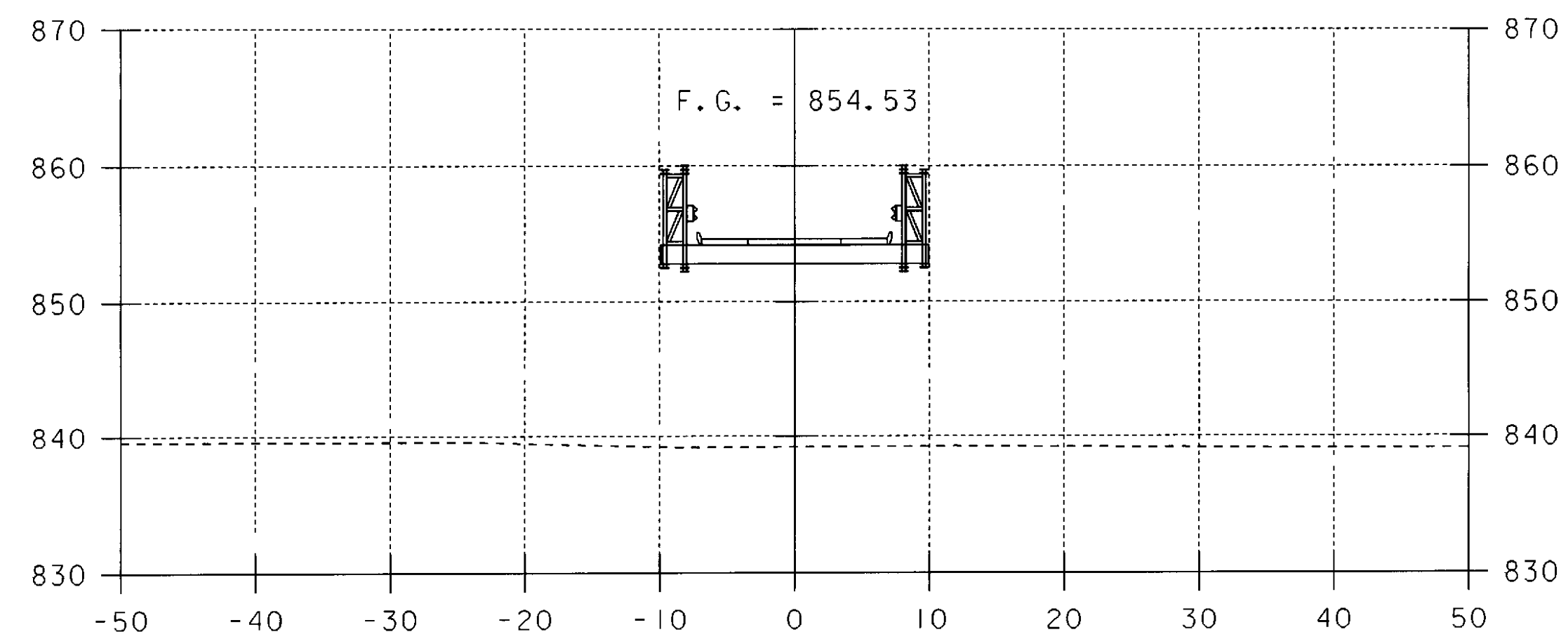


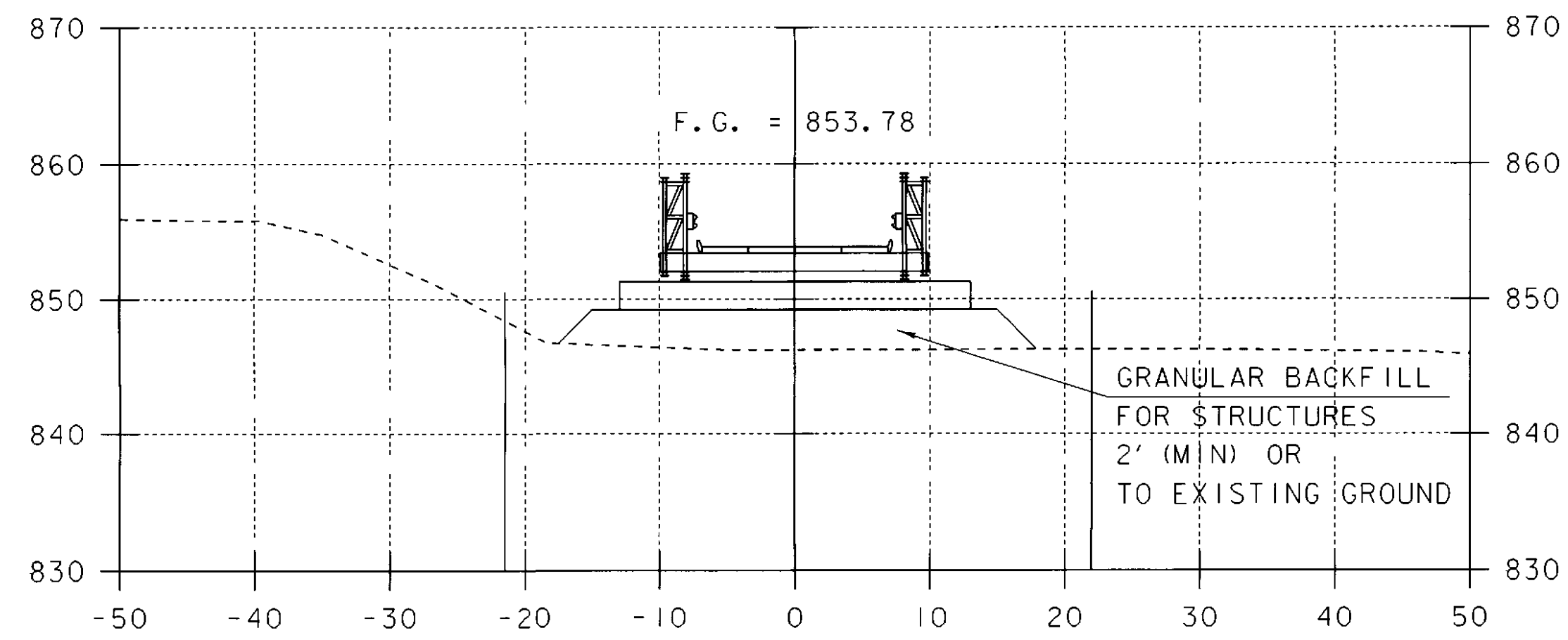
611+75



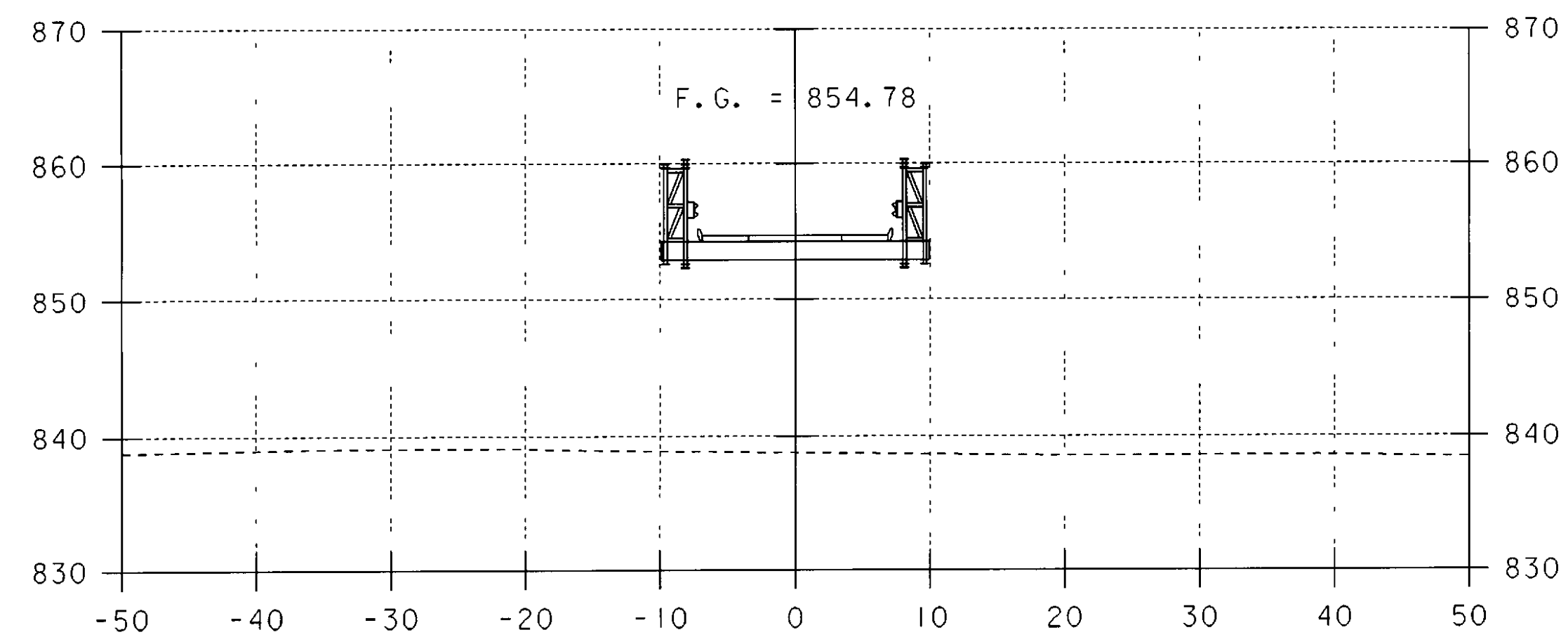
612+50



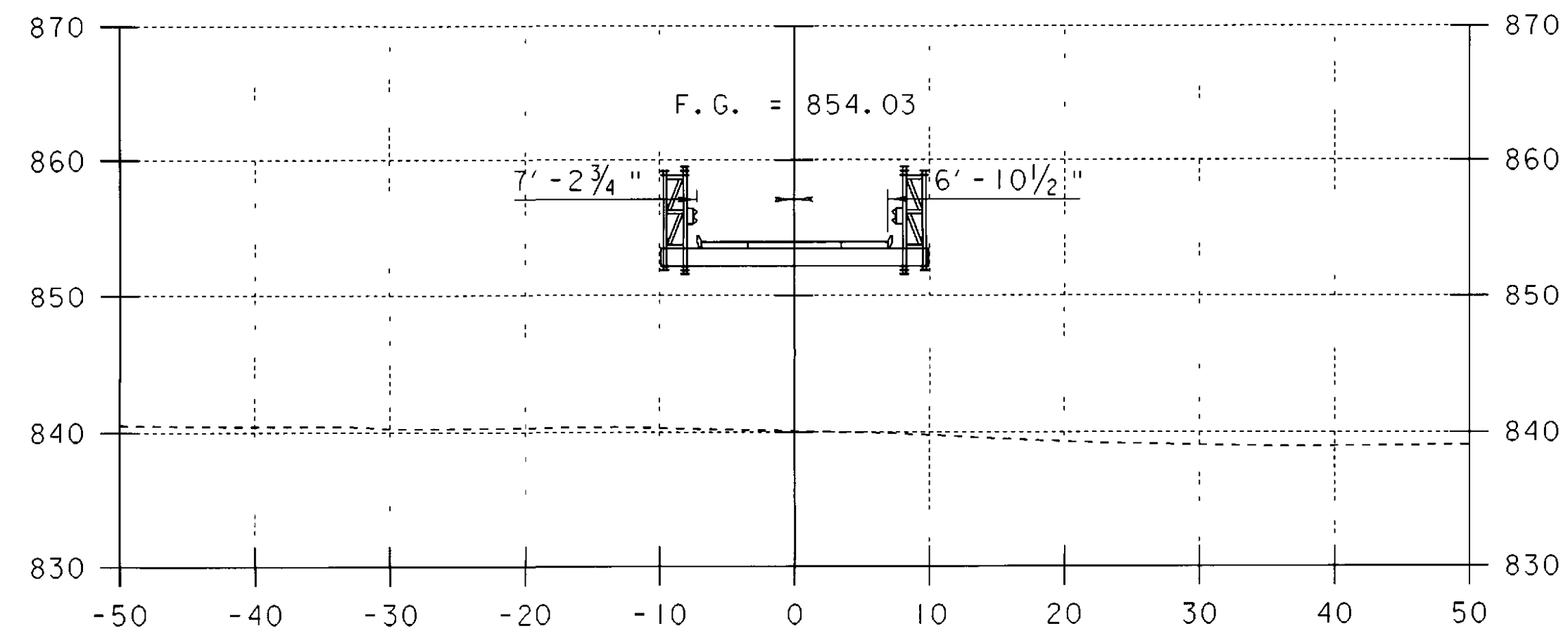
611+50



612+25



611+25



612+00

## TEMPORARY BRIDGE CROSS SECTIONS

PROJECT NAME:	BRIDGEWATER	FILE NAME:	/str5/86e062/se062xs.dgn	PLOT DATE:	14-SEP-2005
PROJECT NUMBER:	BRS 0149 (4)	PROJECT LEADER:	C. KELLER	DRAWN BY:	T. FILLBACH
		DESIGNED BY:	T. FILLBACH	CHECKED BY:	T. SUMNER
			se062xs2.i	SHEET	16 OF 18