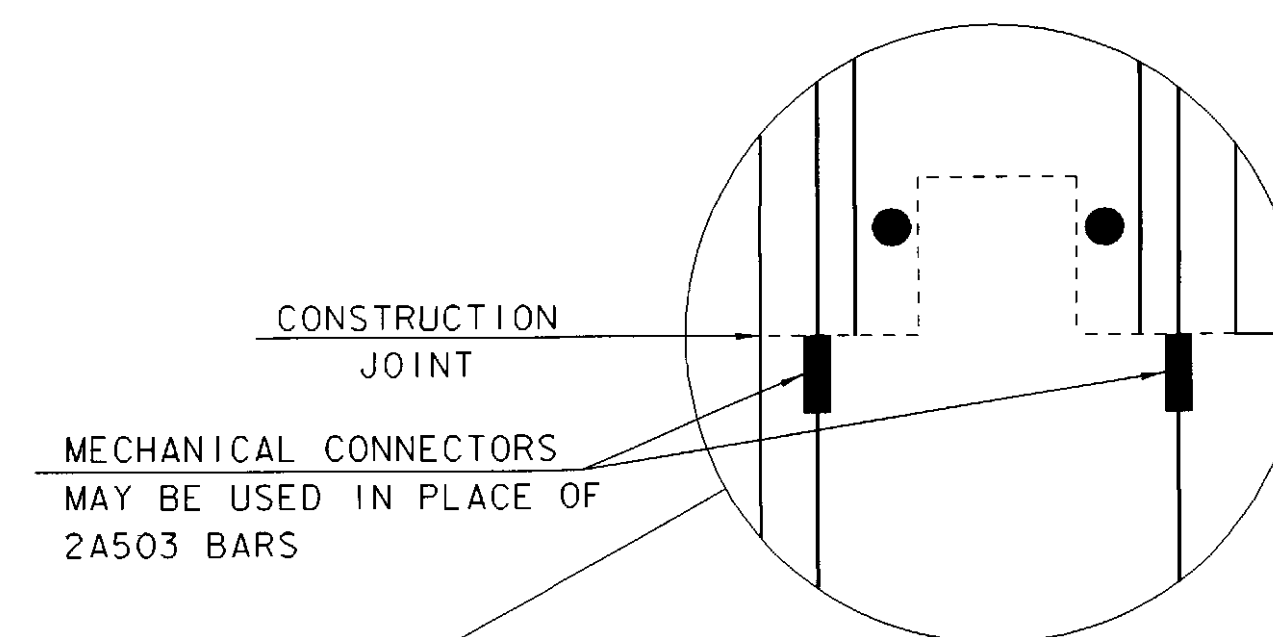


ABUTMENT #2
FEMALE END OF BRIDGE

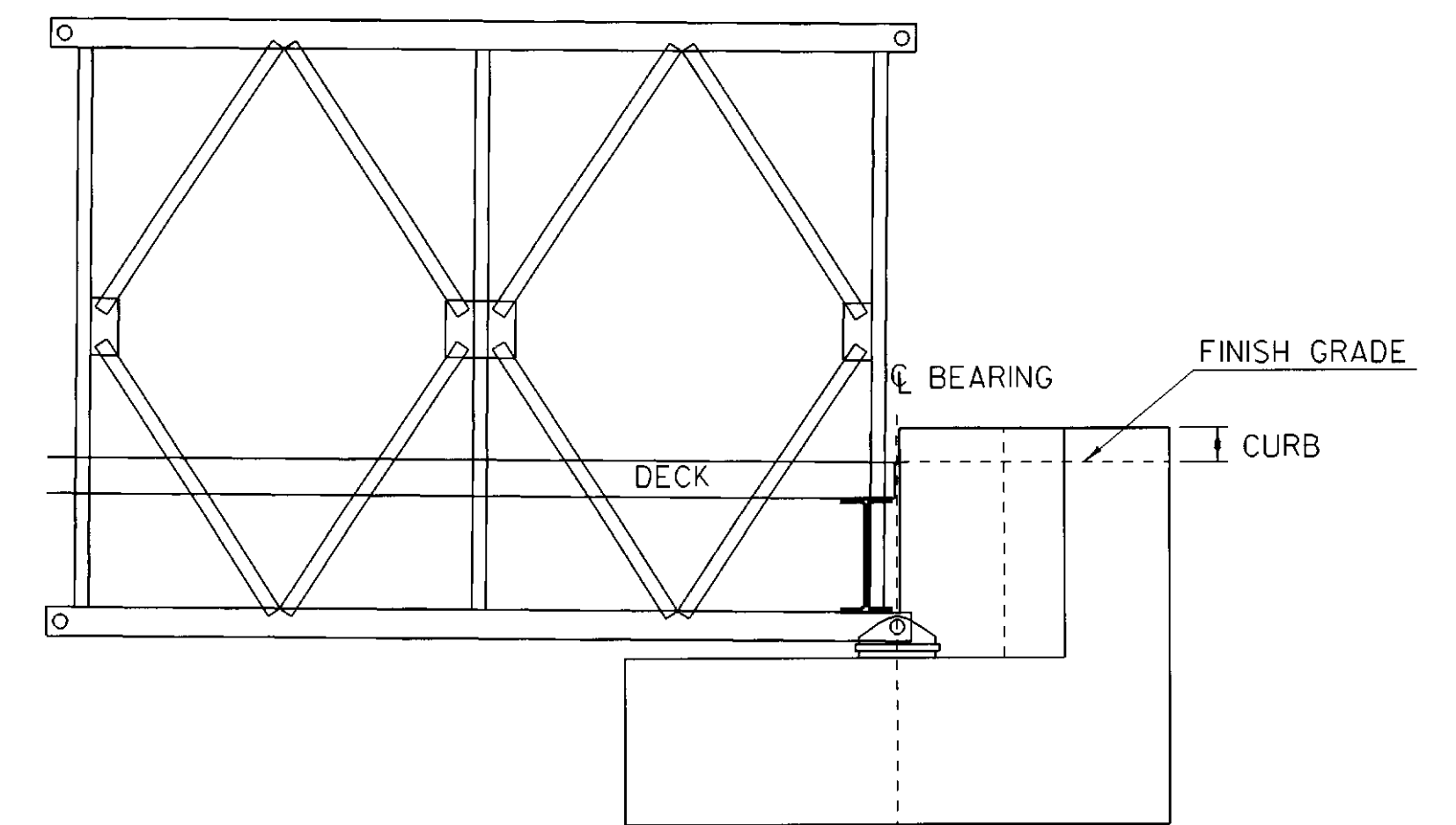
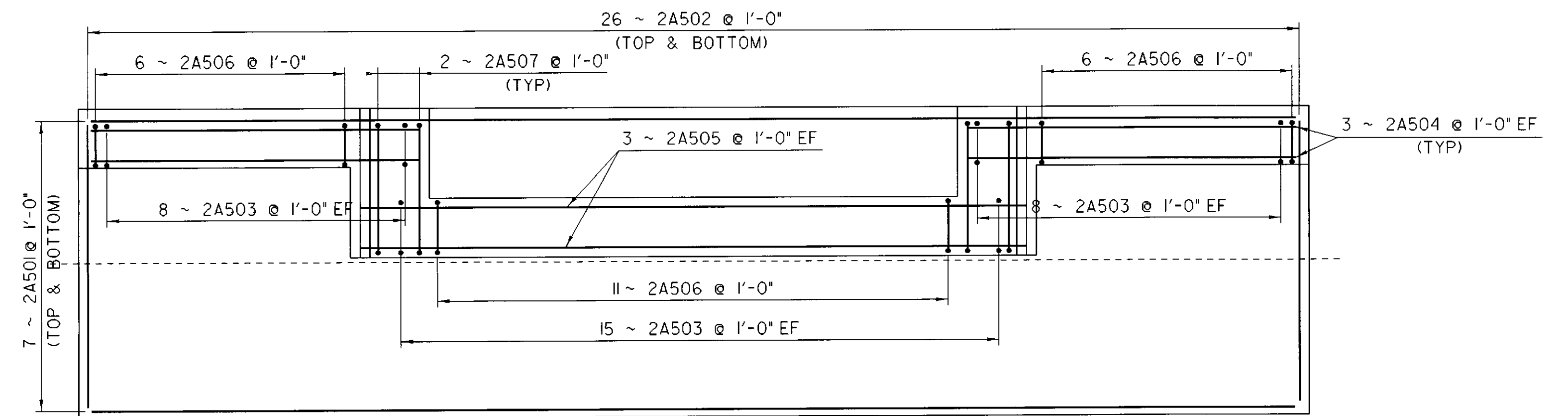
(ABUTMENT IS SYMMETRICAL ABOUT THE CENTERLINE OF THE TRAVELED WAY.)

EACH	SIZE	LENGTH	MARK	TYPE	A	B	C	D
ABUTMENT #2								
14	5	25'- 6"	2A501	STR	25'- 6"			
52	5	6'- 0"	2A502	STR	6'- 0"			
54	5	3'- 11"	2A503	STR	3'- 11"			
12	5	7'- 0"	2A504	STR	7'- 0"			
6	5	14'- 0"	2A505	STR	14'- 0"			
23	5	4'- 3"	2A506	S10		1'- 9"	0'- 9"	1'- 9"
4	5	6'- 3"	2A507	S10		1'- 9"	2'- 9"	1'- 9"

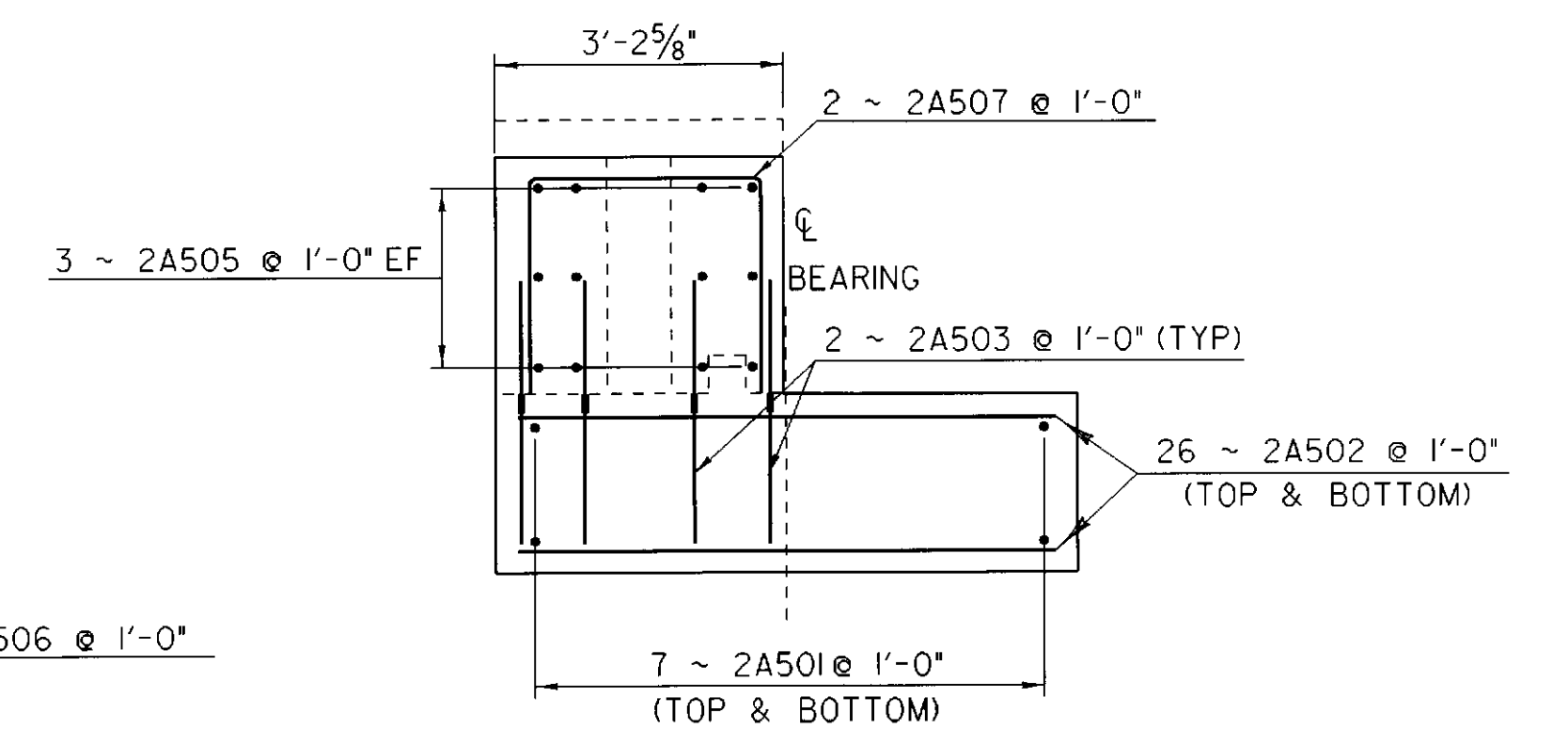
APPROX 1222 LBS OF REINFORCING STEEL
 APPROX 16 CUBIC YARDS OF CONCRETE



HORIZONTAL CONSTRUCTION JOINT DETAIL

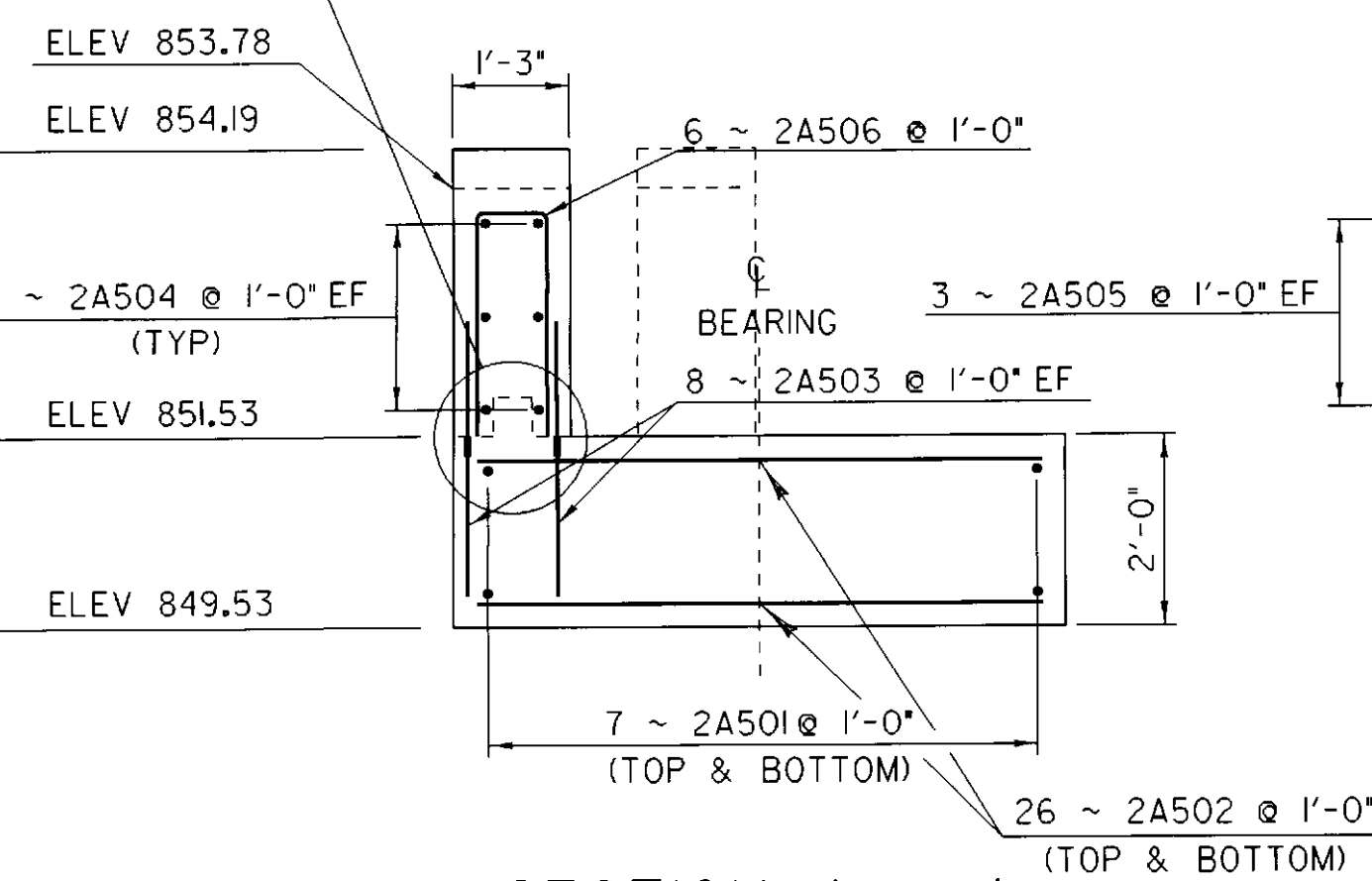
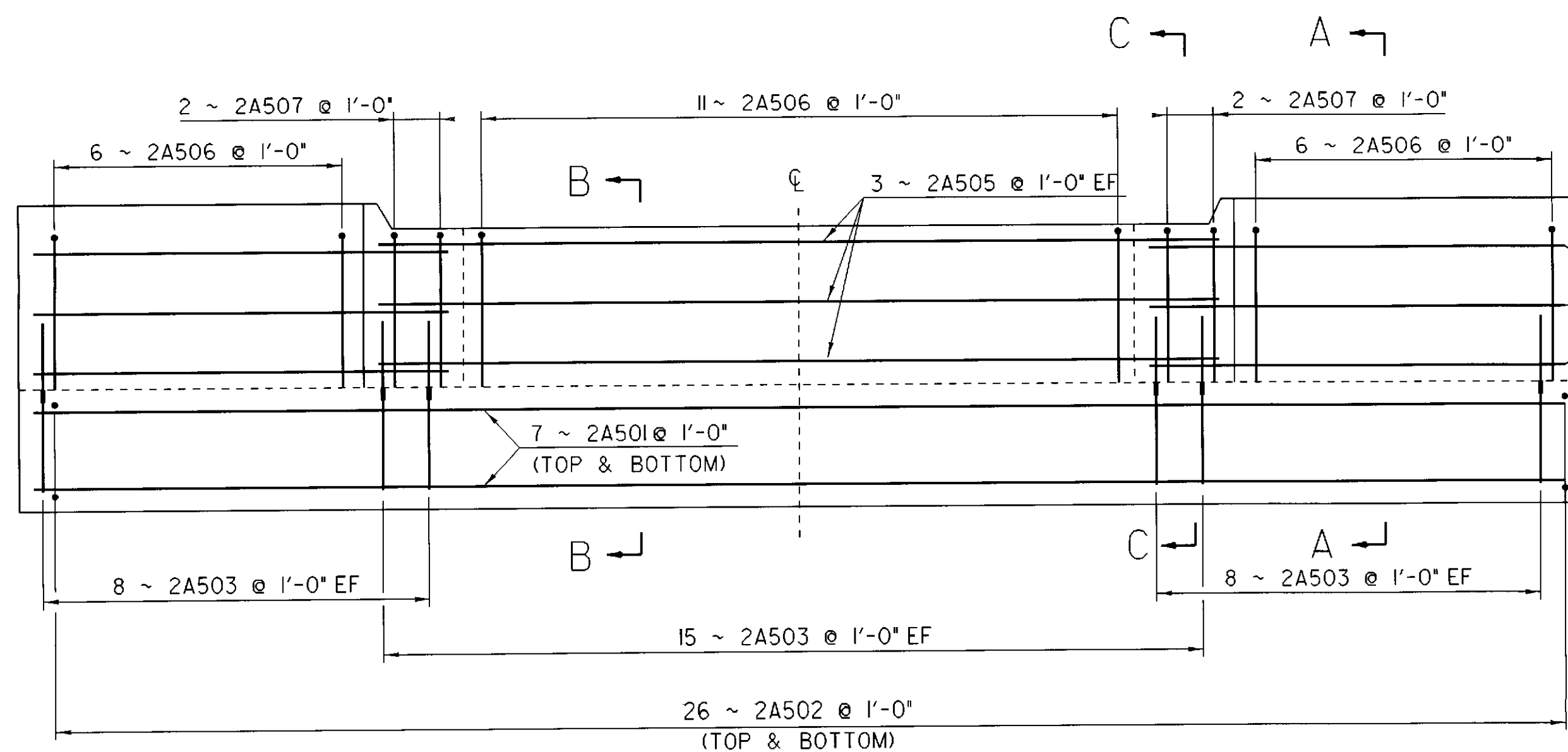


END OF BRIDGE DETAIL

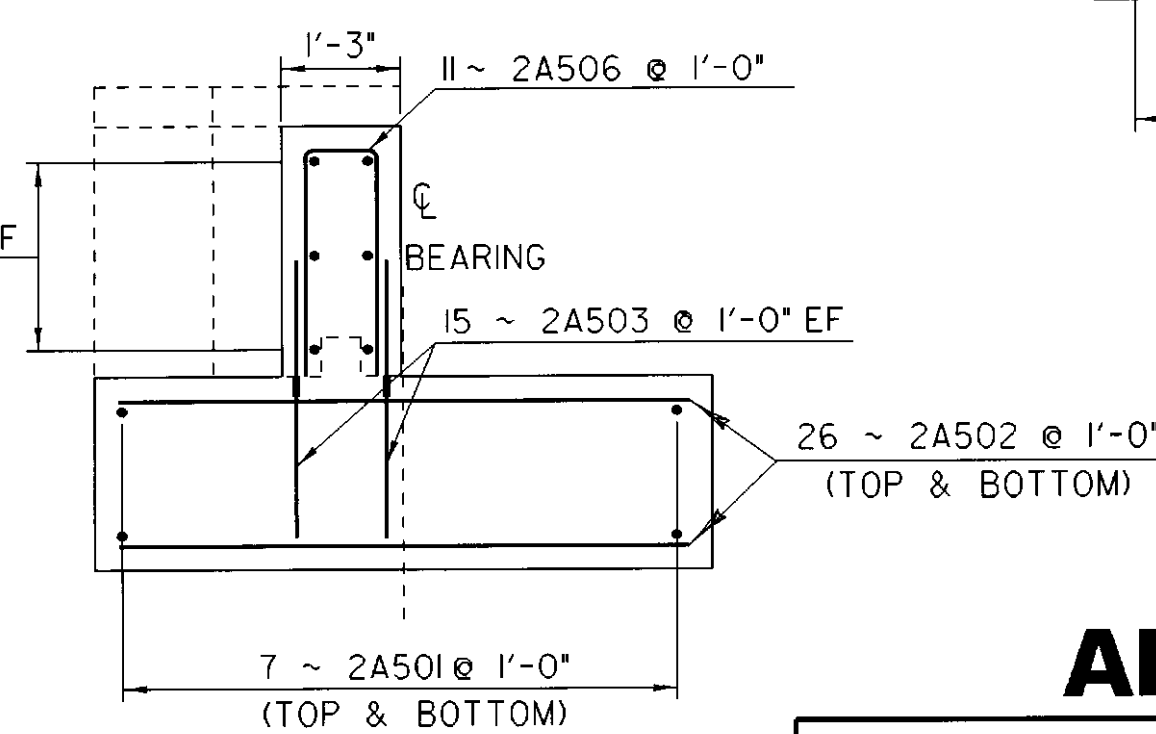


SECTION C - C

NOTE:
 NF - NEAR FACE
 FF - FAR FACE
 EF - EACH FACE
 ▲ - CUT TO FIT IN FIELD
 3" CLR UNLESS OTHERWISE SPECIFIED ON THE PLANS.



SECTION A - A



SECTION B - B

ABUTMENT #2 DETAILS

PROJECT NAME: BRIDGEWATER
 PROJECT NUMBER: BRS 0149(4)

FILE NAME: 86e062/se062abt.dgn
 PROJECT LEADER: C.S. KELLER
 DESIGNED BY: T. FILLBACH

PLOT DATE: 14-SEP-2005
 DRAWN BY: STR 5
 CHECKED BY: T. SUMNER
 SHEET 13 OF 18

se062ab2.1