

**ABUTMENT #1**

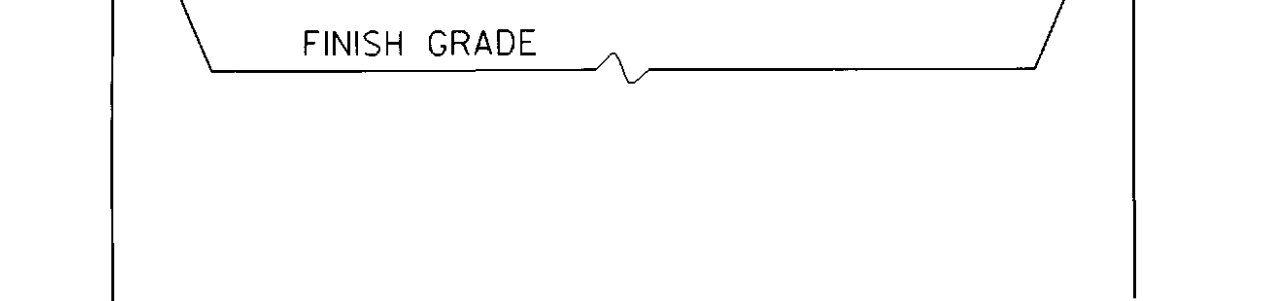
**MALE END OF BRIDGE**

(ABUTMENT IS SYMMETRICAL ABOUT THE CENTERLINE OF THE TRAVELED WAY.)

| EACH               | SIZE | LENGTH  | MARK  | TYPE | A       | B      | C       | D      |
|--------------------|------|---------|-------|------|---------|--------|---------|--------|
| <b>ABUTMENT #1</b> |      |         |       |      |         |        |         |        |
| 14                 | 5    | 25'- 6" | 1A501 | STR  | 25'- 6" |        |         |        |
| 52                 | 5    | 6'- 0"  | 1A502 | STR  | 6'- 0"  |        |         |        |
| 54                 | 5    | 3'- 11" | 1A503 | STR  | 3'- 11" |        |         |        |
| 12                 | 5    | 7'- 0"  | 1A504 | STR  | 7'- 0"  |        |         |        |
| 6                  | 5    | 14'- 0" | 1A505 | STR  | 14'- 0" |        |         |        |
| 23                 | 5    | 4'- 3"  | 1A506 | S10  |         | 1'- 9" | 0'- 9"  | 1'- 9" |
| 4                  | 5    | 5'- 5"  | 1A507 | S10  |         | 1'- 9" | 1'- 11" | 1'- 9" |

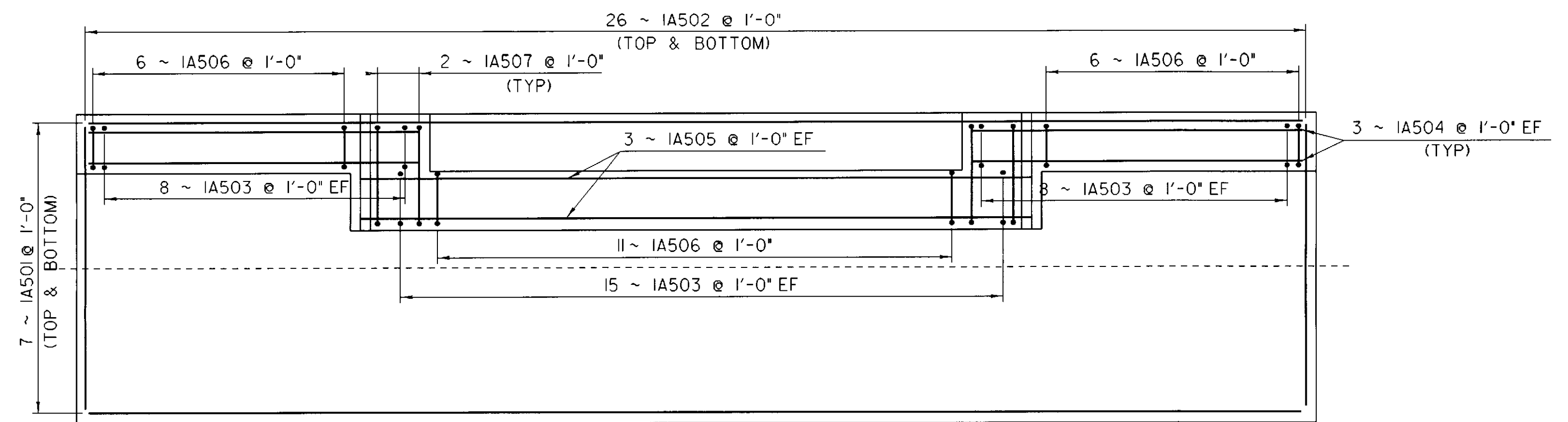
APPROX 1220 LBS OF REINFORCING STEEL  
APPROX 16 CUBIC YARDS OF CONCRETE

TOP OF UPSTAND WALL  
SAME ELEVATION AS CURB



**CURB DETAIL**

FORM TO MATCH SLOPE, ELEVATION & OFFSET OF BRIDGE CURB



FINISH GRADE

CURB

1/4" @ 45° F

BEARING

DECK

FINISH GRADE

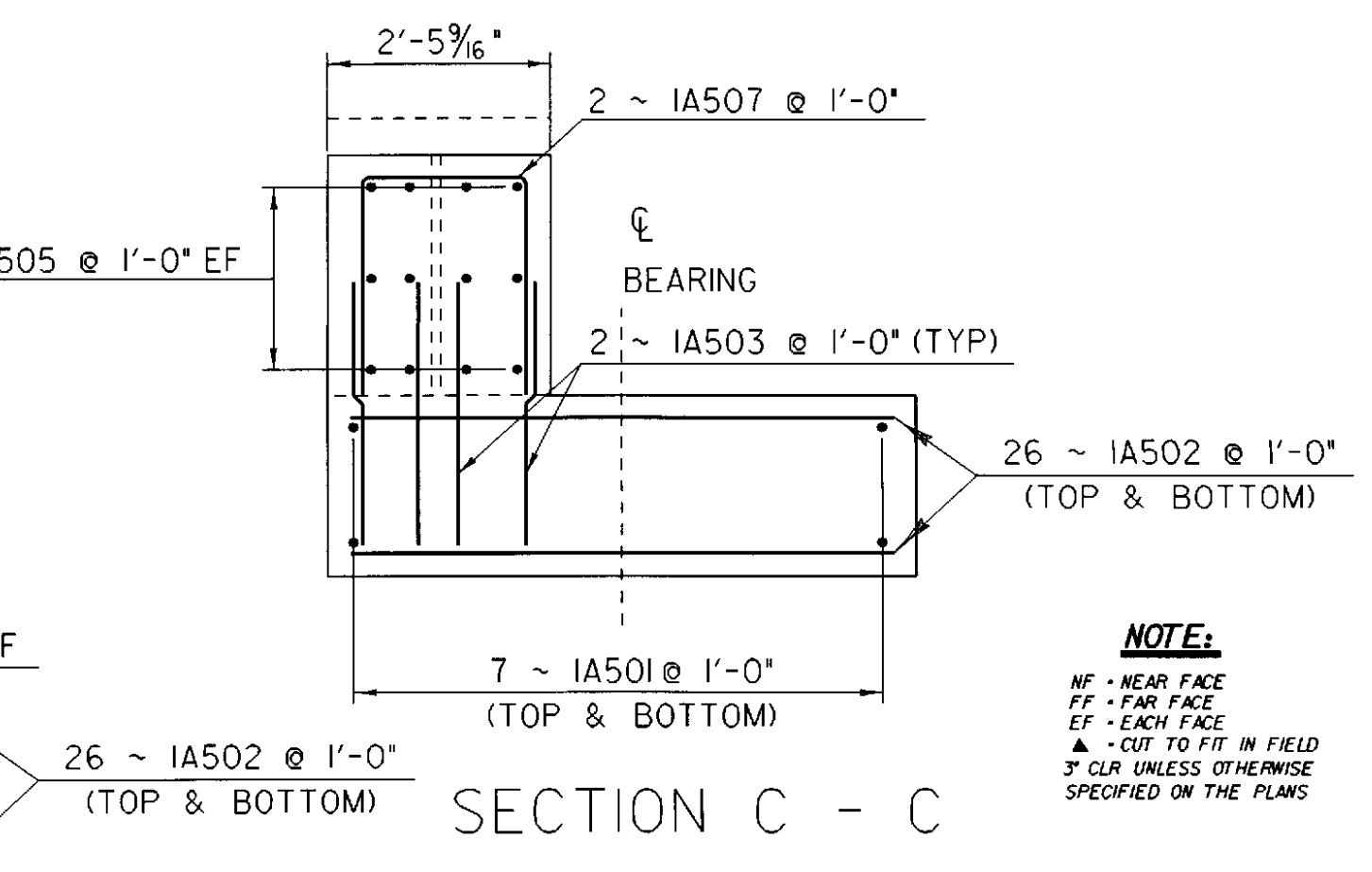
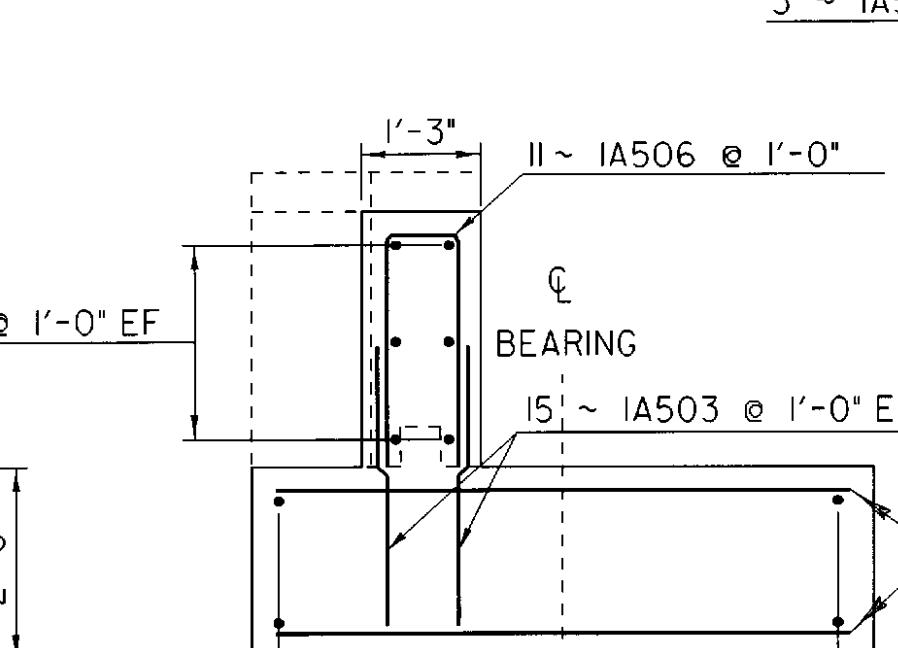
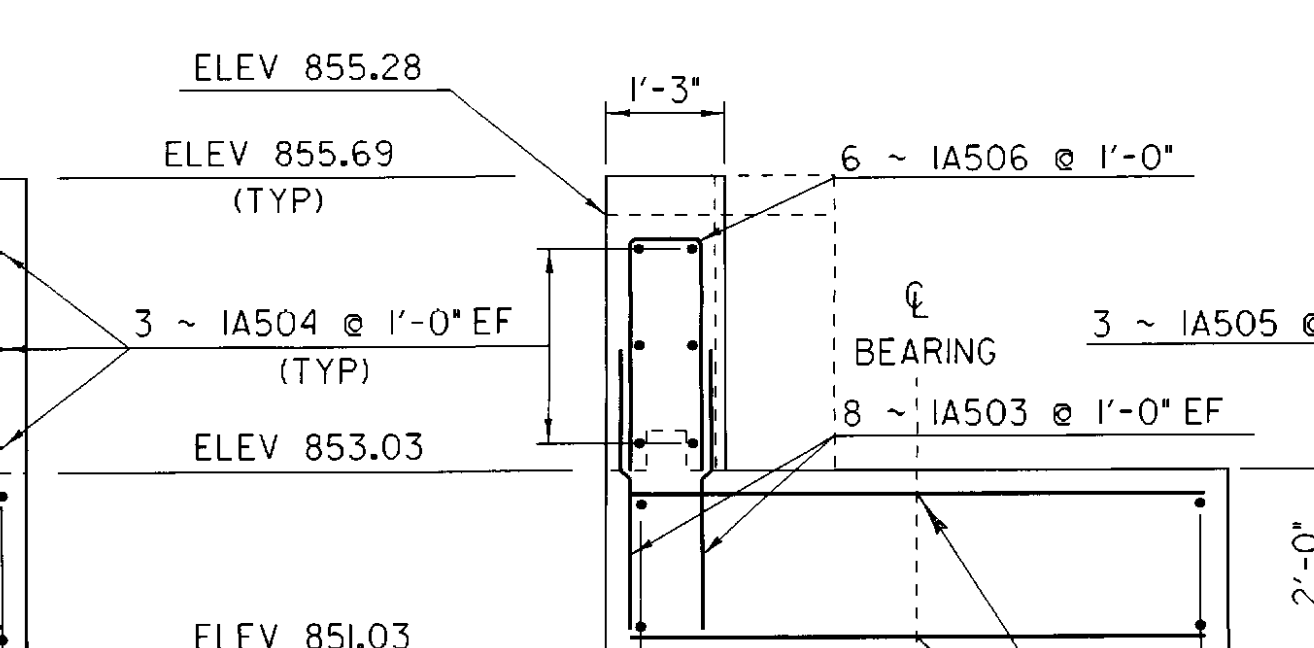
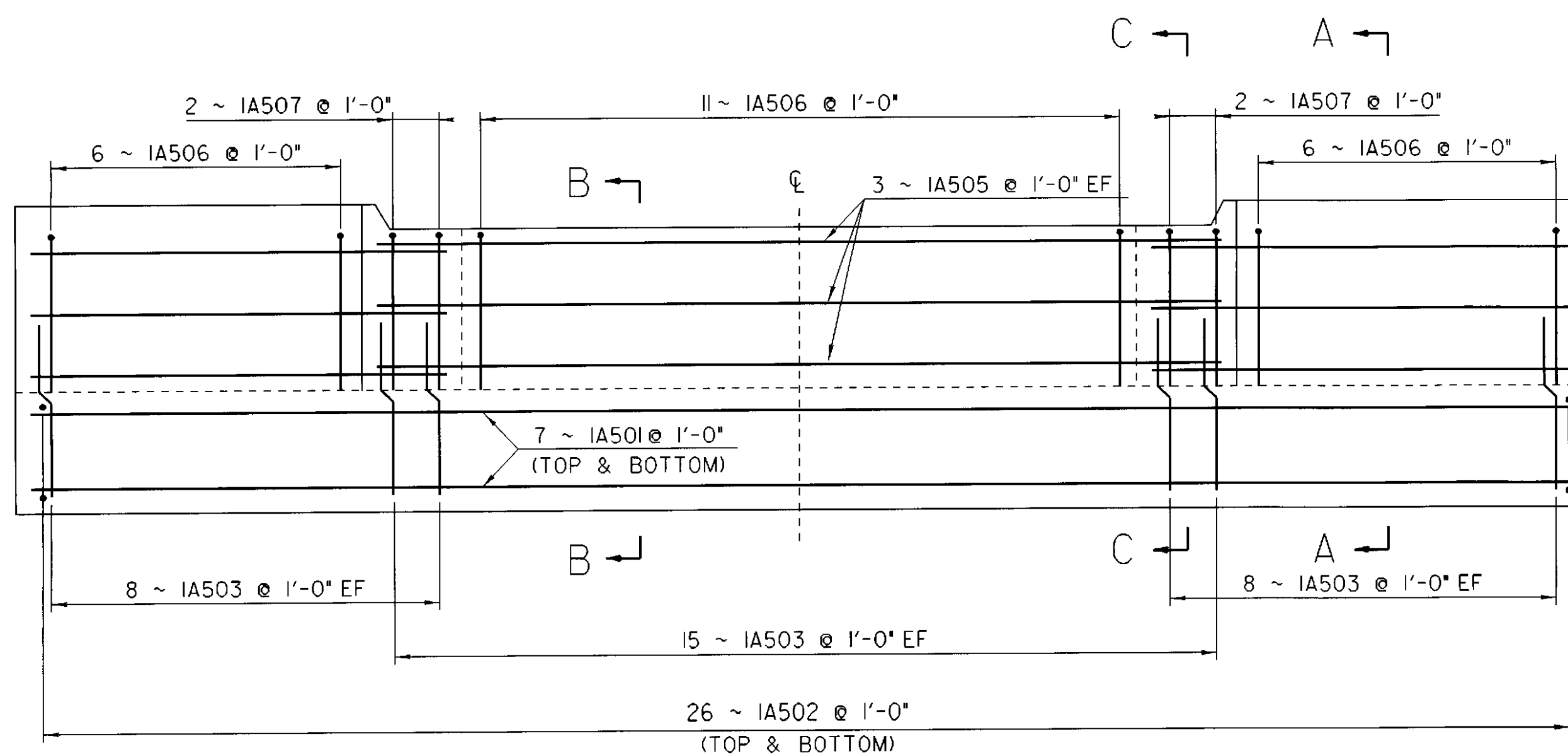
CURB

1/4" @ 45° F

BEARING

DECK

**END OF BRIDGE DETAIL (EXP.)**



**NOTE:**  
NF - NEAR FACE  
FF - FAR FACE  
EF - EACH FACE  
- CUT TO FIT IN FIELD  
3" CLR UNLESS OTHERWISE  
SPECIFIED ON THE PLANS

**ABUTMENT #1 DETAILS**

|                 |                     |              |                |
|-----------------|---------------------|--------------|----------------|
| PROJECT NAME:   | BRIDGEWATER         | PLOT DATE:   | 14-SEP-2005    |
| PROJECT NUMBER: | BRS 0149(4)         | DRAWN BY:    | STR 5          |
| FILE NAME:      | 86e062/se062abt.dgn | DESIGNED BY: | T. FILLBACH    |
| PROJECT LEADER: | C.S. KELLER         | CHECKED BY:  | T. SUMNER      |
|                 |                     |              | SHEET 12 OF 18 |