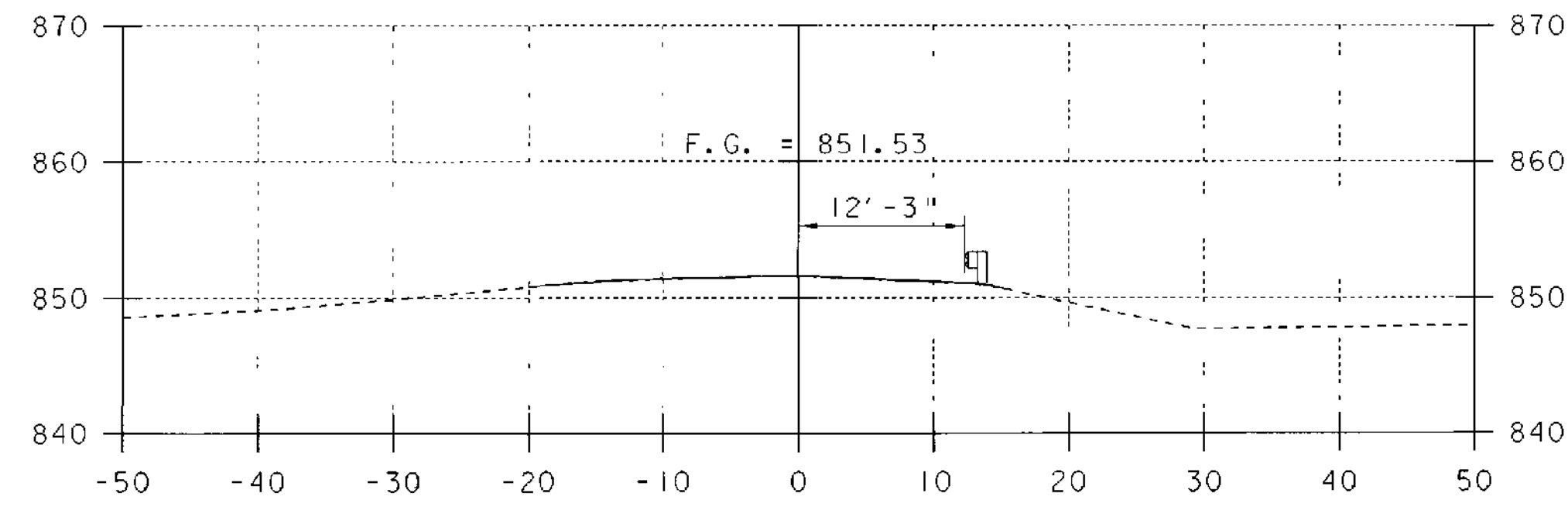
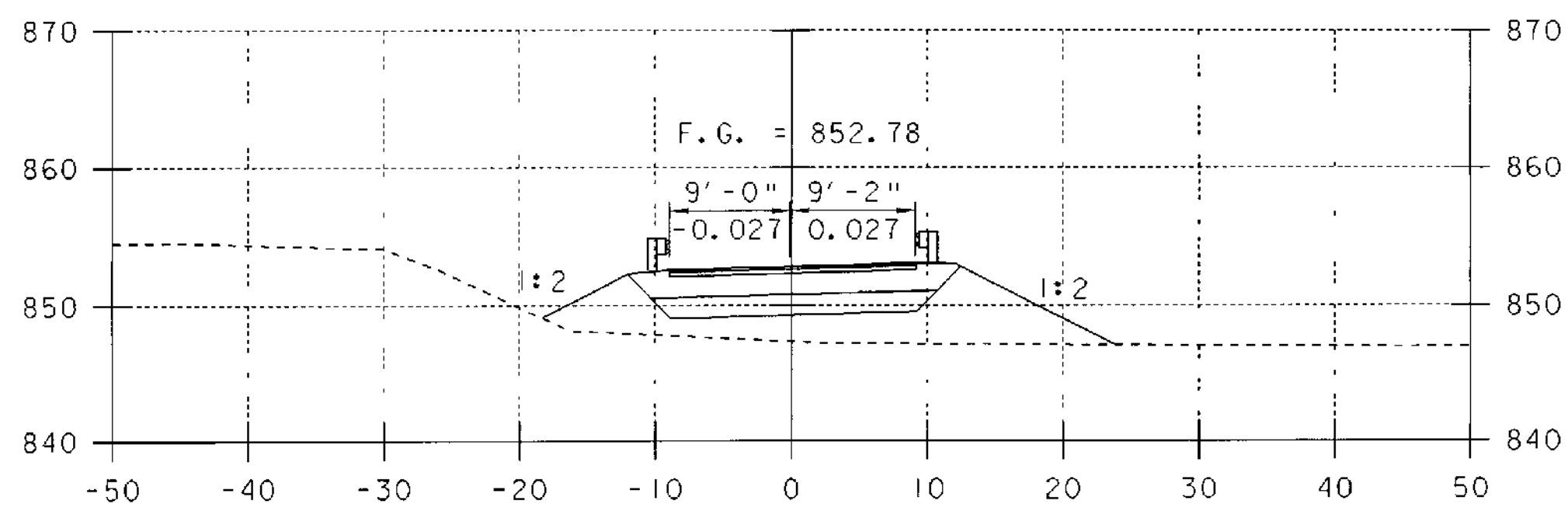


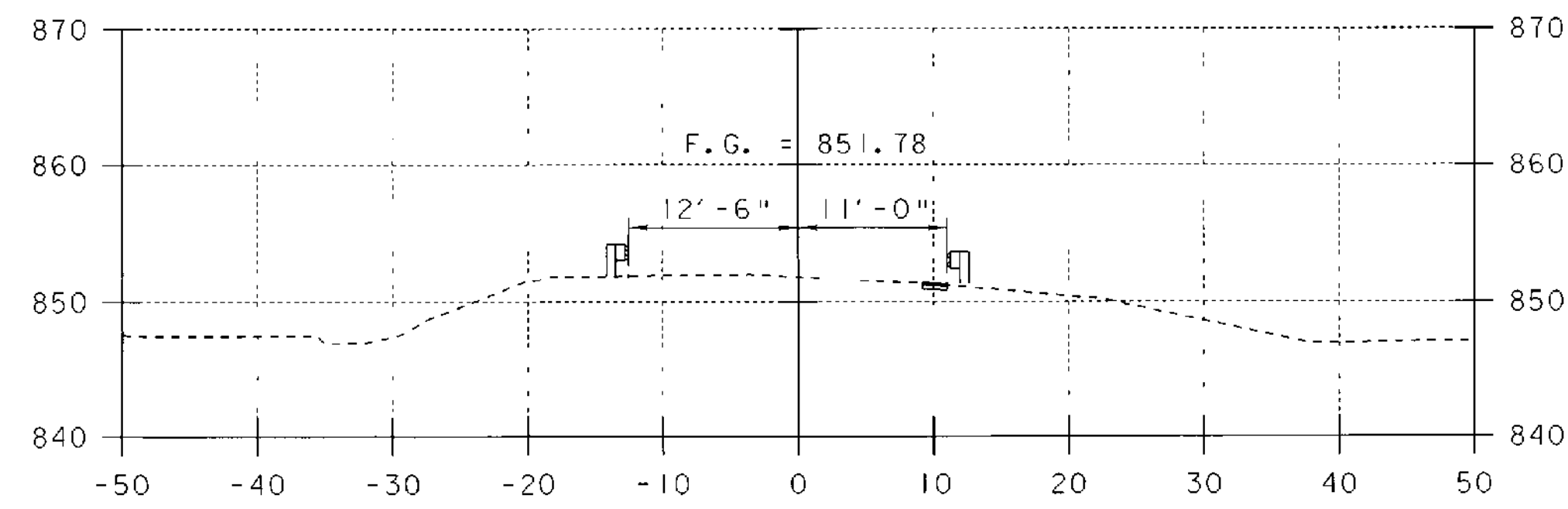
613+50



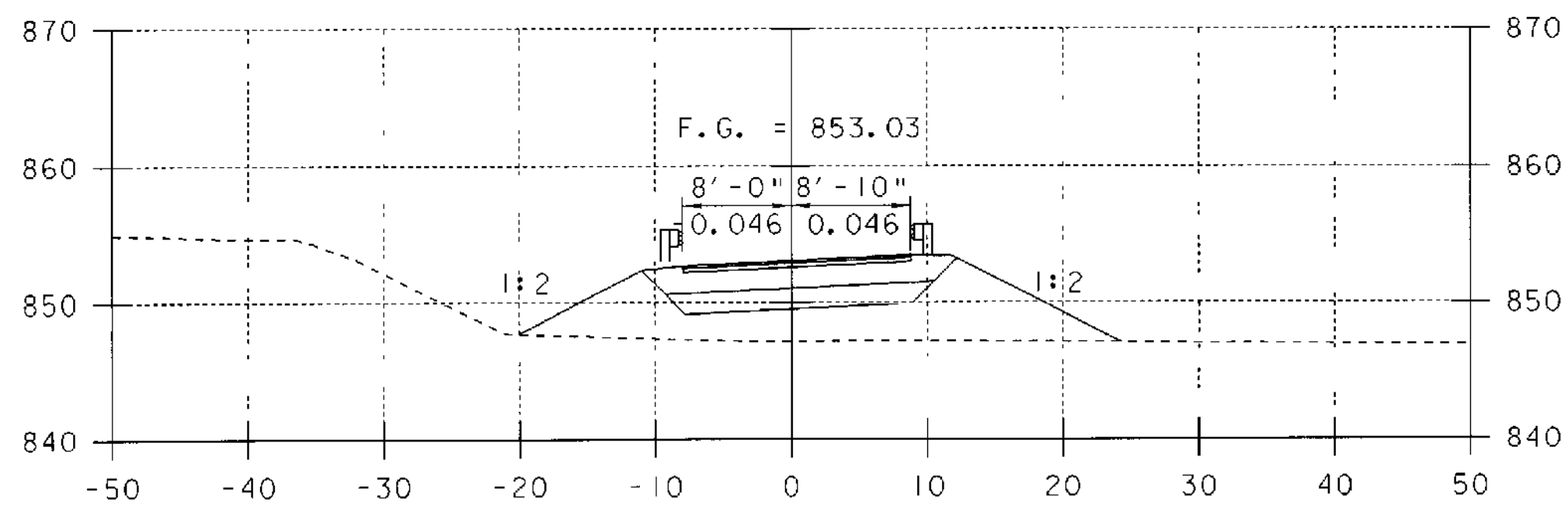
614+50



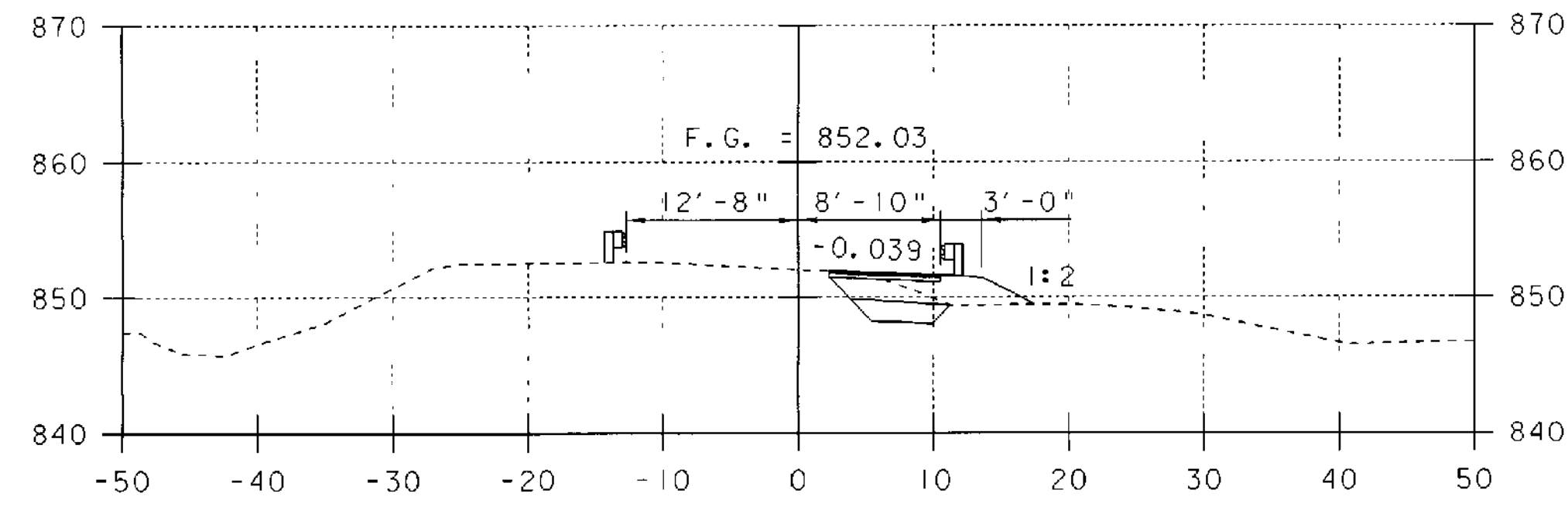
613+25



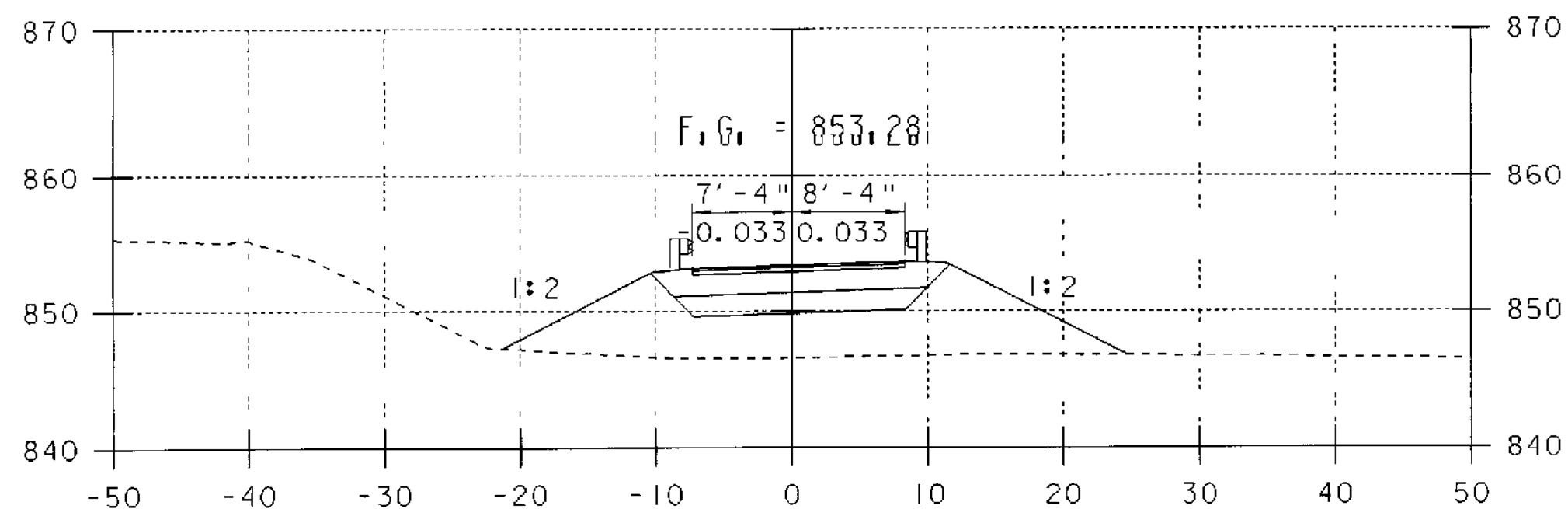
614+25



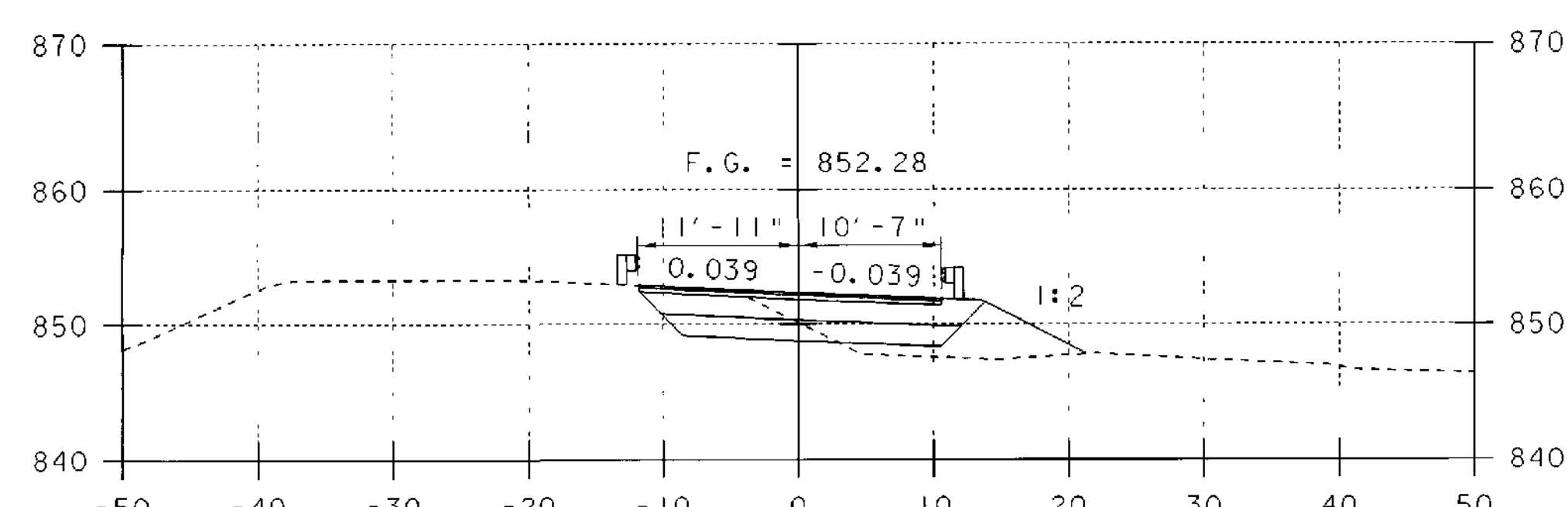
613+00



614+00



612+75



613+75

## TEMPORARY BRIDGE CROSS SECTIONS

PROJECT NAME: BRIDGEWATER  
PROJECT NUMBER: BRS 0149 (4)

FILE NAME: /str5/86e062/se062xs.dgn PLOT DATE: 14-SEP-2005  
PROJECT LEADER: C. KELLER DRAWN BY: T. FILLBACH  
DESIGNED BY: T. FILLBACH CHECKED BY: T. SUMNER  
se062xs3.i SHEET 17 OF 18