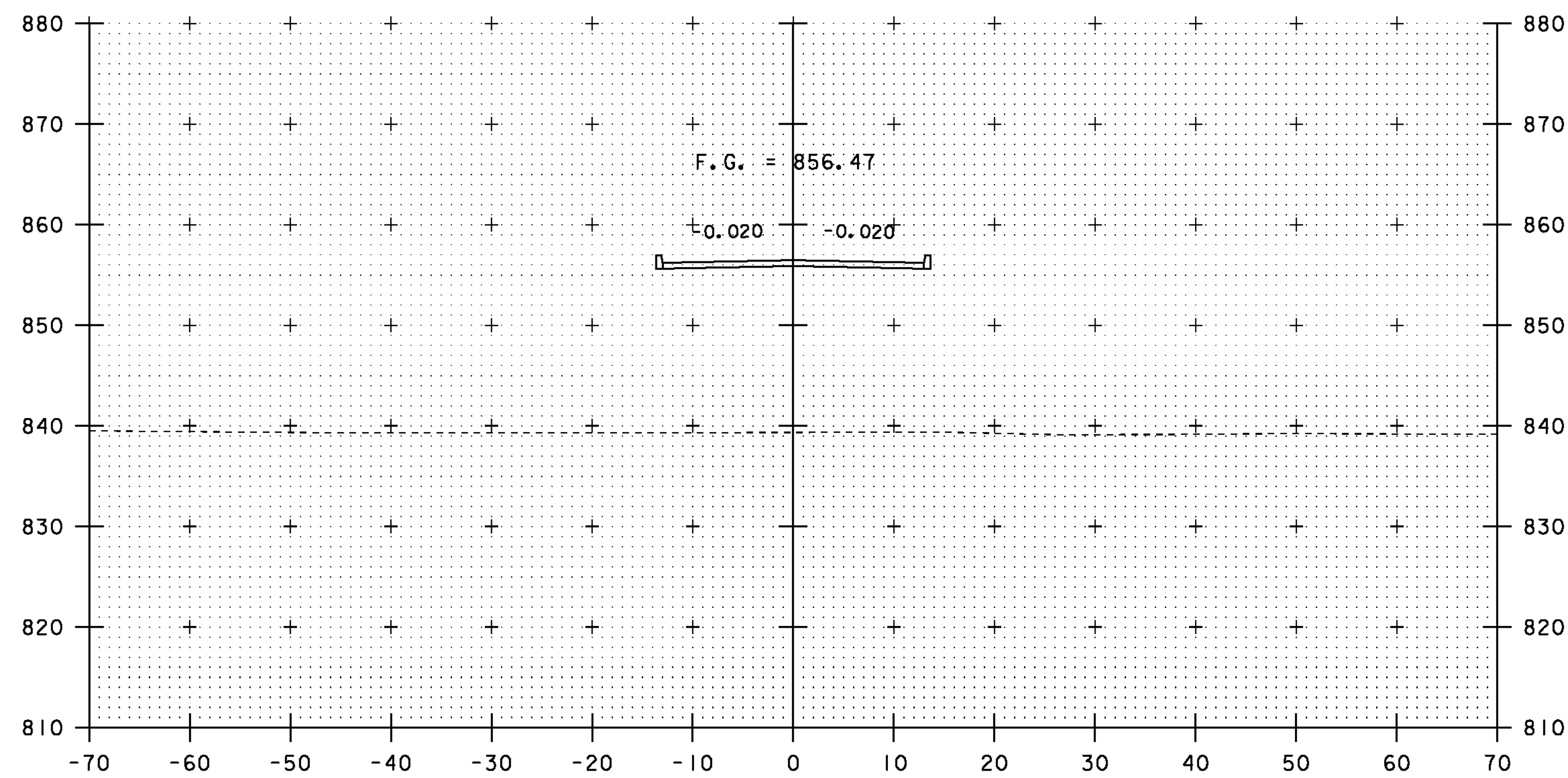
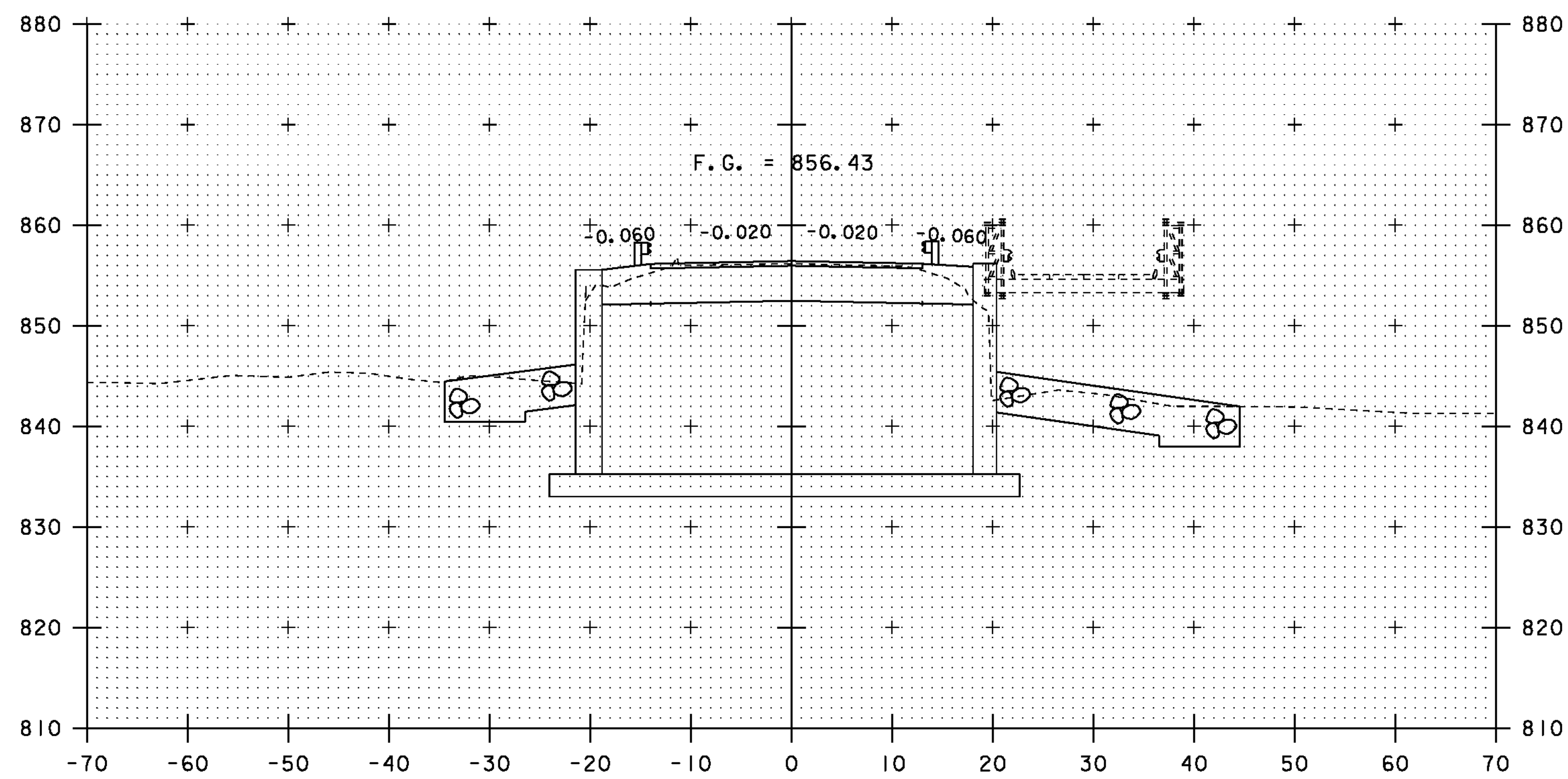


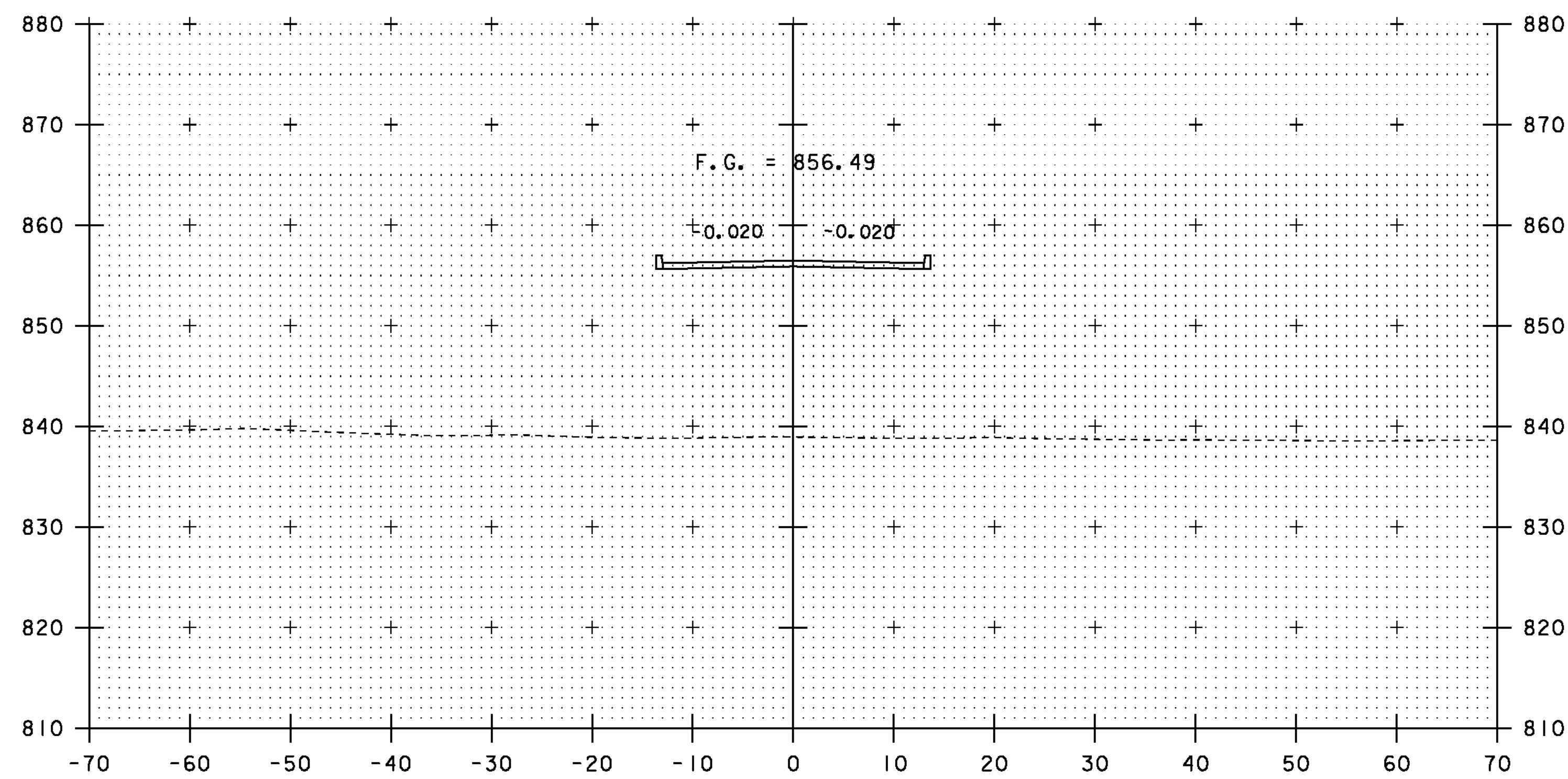
BEGIN BRIDGE
110+02.50



110+50



110+00



110+25

SCALE 1" = 10' - 0"
10 0 10

PROJECT NAME: BRIDGEWATER
PROJECT NUMBER: BRS 0149(4)
FILE NAME: s86e062xs.dgn
PROJECT LEADER: K. HIGGINS
DESIGNED BY: T. FILLBACH
MAINLINE SECTIONS #3

PLOT DATE: 31-DEC-2009
DRAWN BY: J. SALVATORI
CHECKED BY: T. FILLBACH
SHEET 51 OF 58