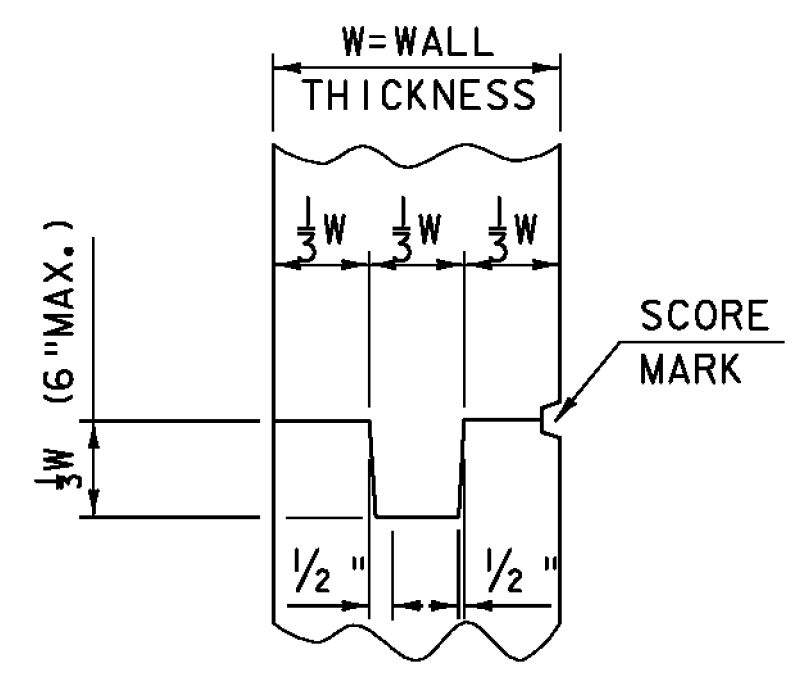
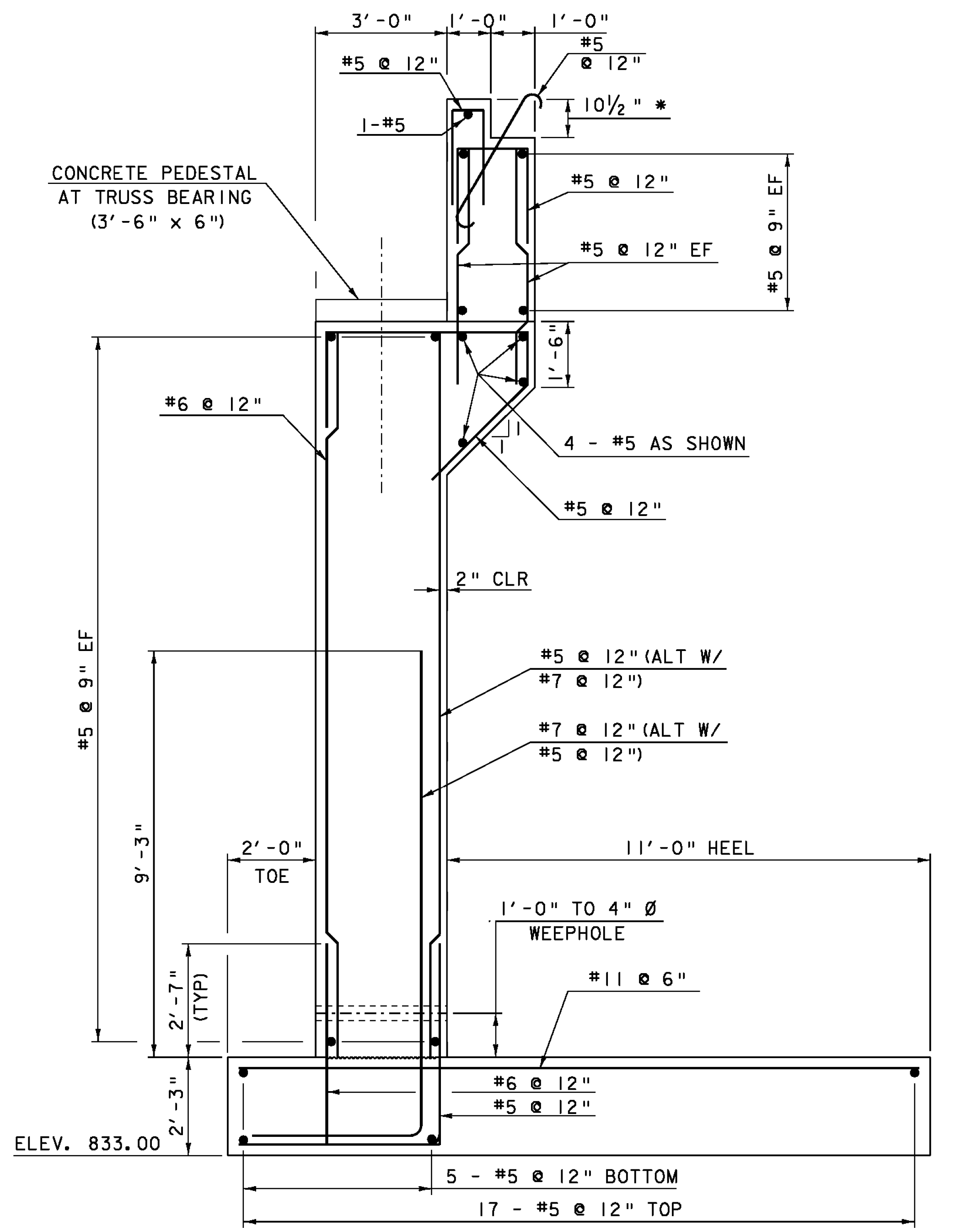


ABUTMENT #1 PLAN

SCALE 1/4" = 1'-0"
 0 2 4 6

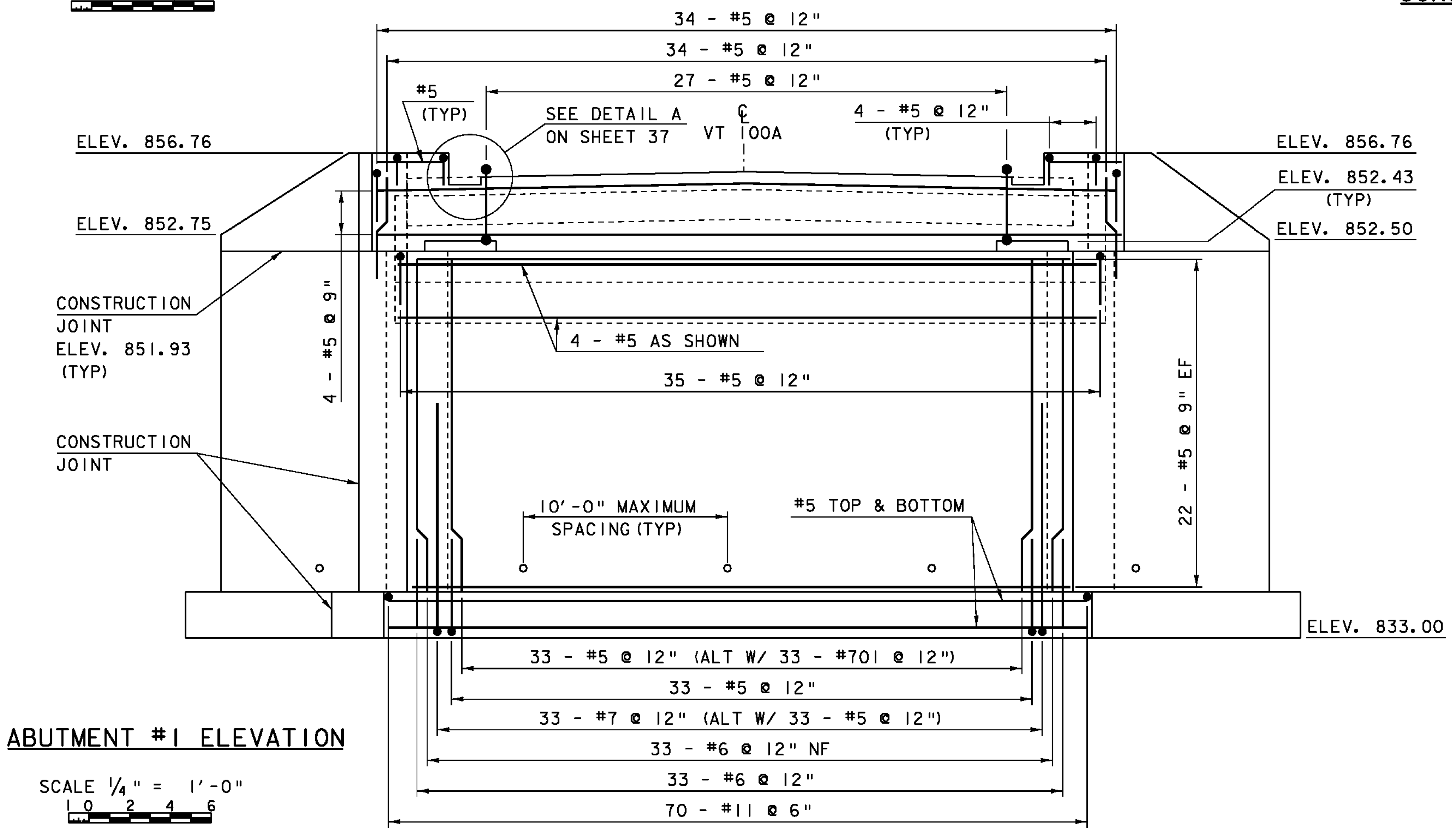


TYPICAL CONCRETE CONSTRUCTION JOINT



ABUTMENT TYPICAL SECTION

SCALE 1/2" = 1'-0"
 0 2



ABUTMENT #1 ELEVATION

SCALE 1/4" = 1'-0"
 0 2 4 6

NOTE:
 CONTRACTOR IS RESPONSIBLE FOR DETERMINING THE LENGTHS AND REINFORCING BAR BENDS BASED ON THESE DRAWINGS. ALL LAP LENGTHS SHALL BE AT LEAST THE LENGTH SPECIFIED BELOW:

- #5 - 2'-2"
- #6 - 2'-7"
- #7 - 3'-5"
- #8 - 4'-6"
- #9 - 5'-8"
- #10 - 7'-3"
- #11 - 8'-10"

NOTE:
 NF = NEAR FACE
 FF = FAR FACE
 EF = EACH FACE
 3" CLEAR, UNLESS OTHERWISE SPECIFIED ON THE PLANS.

PROJECT NAME: BRIDGEWATER	PLOT DATE: 31-DEC-2009
PROJECT NUMBER: BRS 0149(4)	DRAWN BY: R. PELLETT
FILE NAME: s86e062sub.dgn	CHECKED BY: T. FILLBACH
PROJECT LEADER: K. HIGGINS	SHEET 36 OF 58
DESIGNED BY: T. FILLBACH	
ABUTMENT #1	