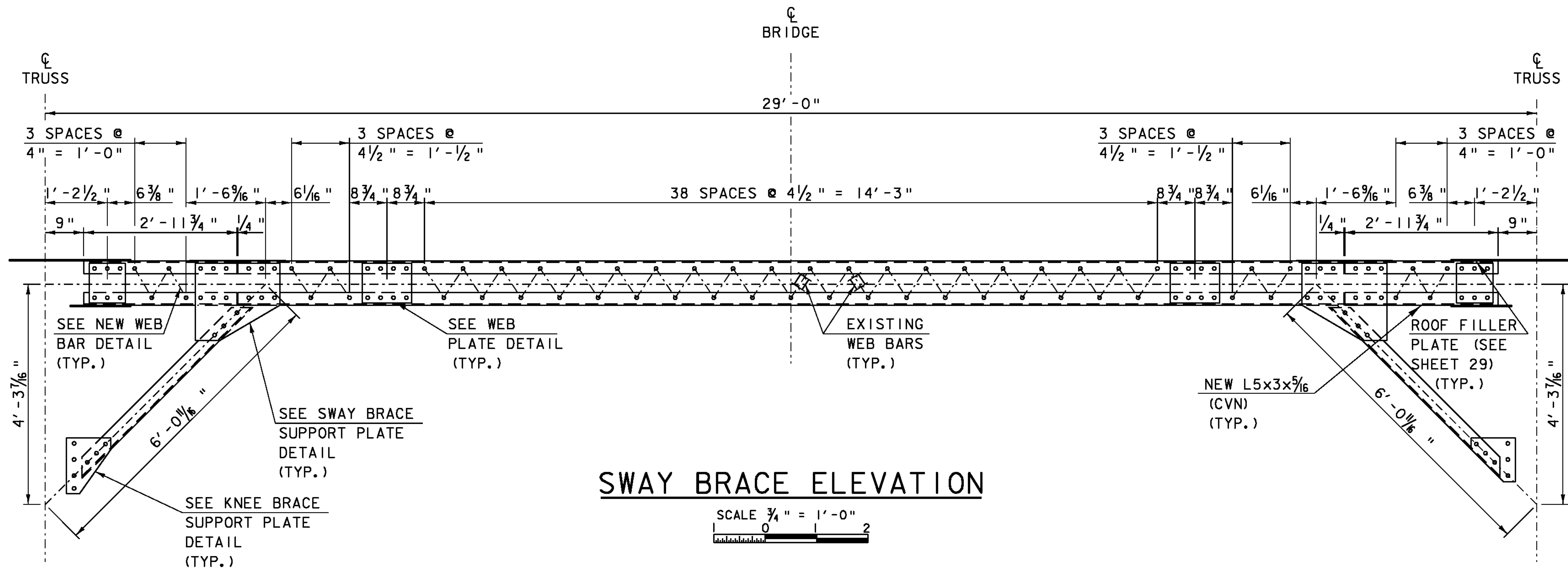
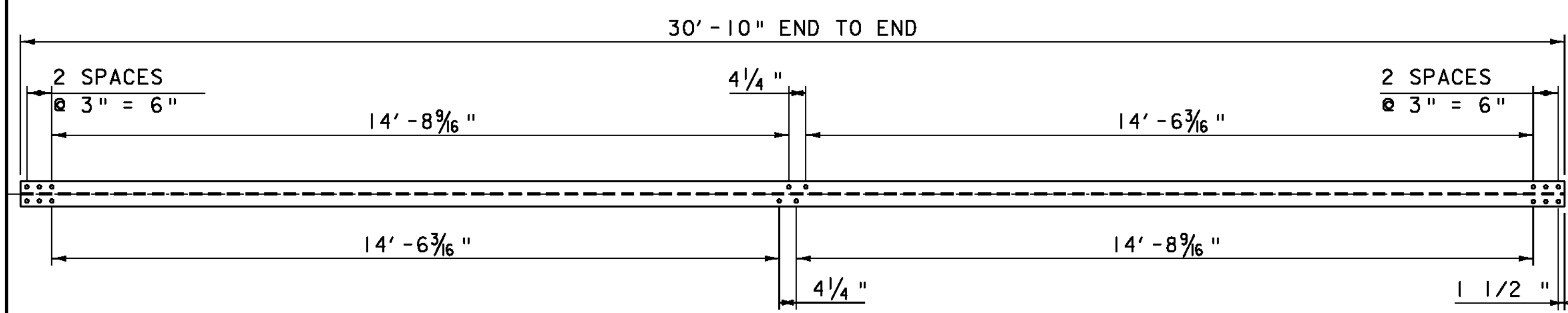


SCALE 3/4" = 1'-0"

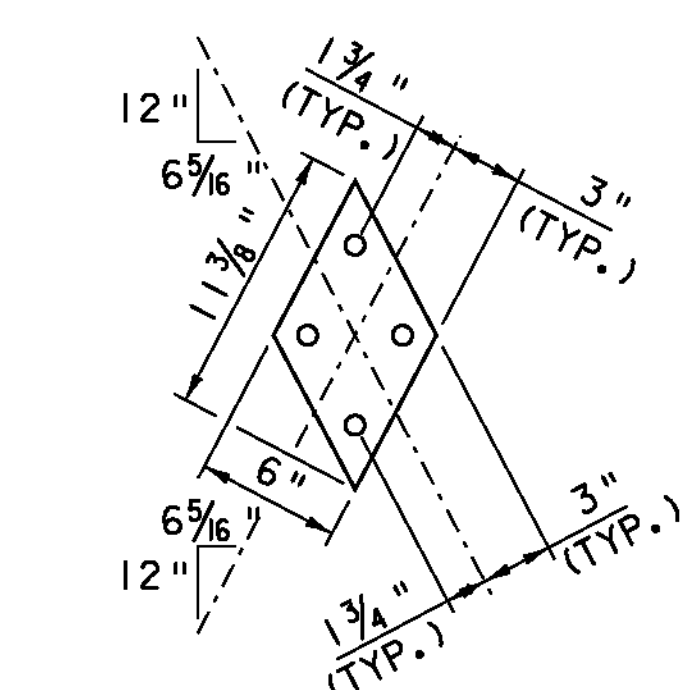


SCALE 3/4" = 1'-0"



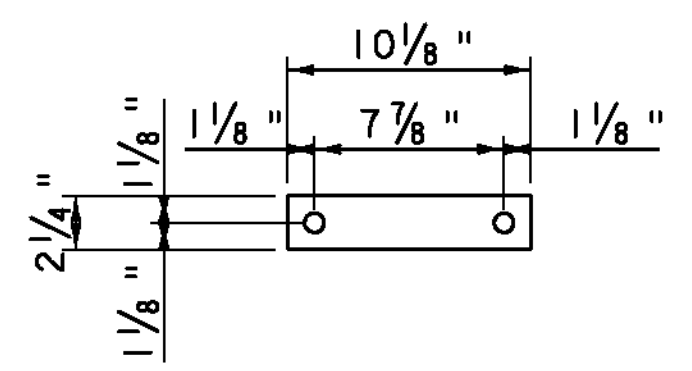
WT 7x17

SCALE 1/2" = 1'-0"



PL 5/16x6x11 3/8"

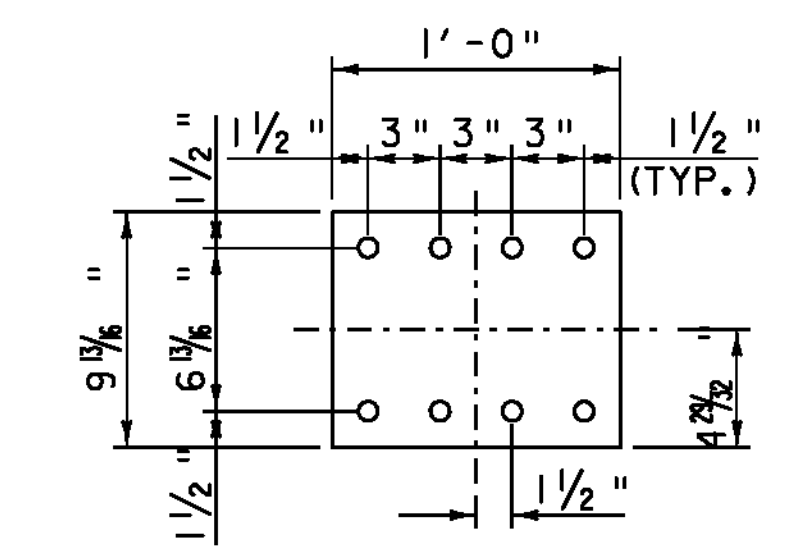
SCALE 1 1/2" = 1'-0"



PL 5/16x2 1/4x10 1/8"

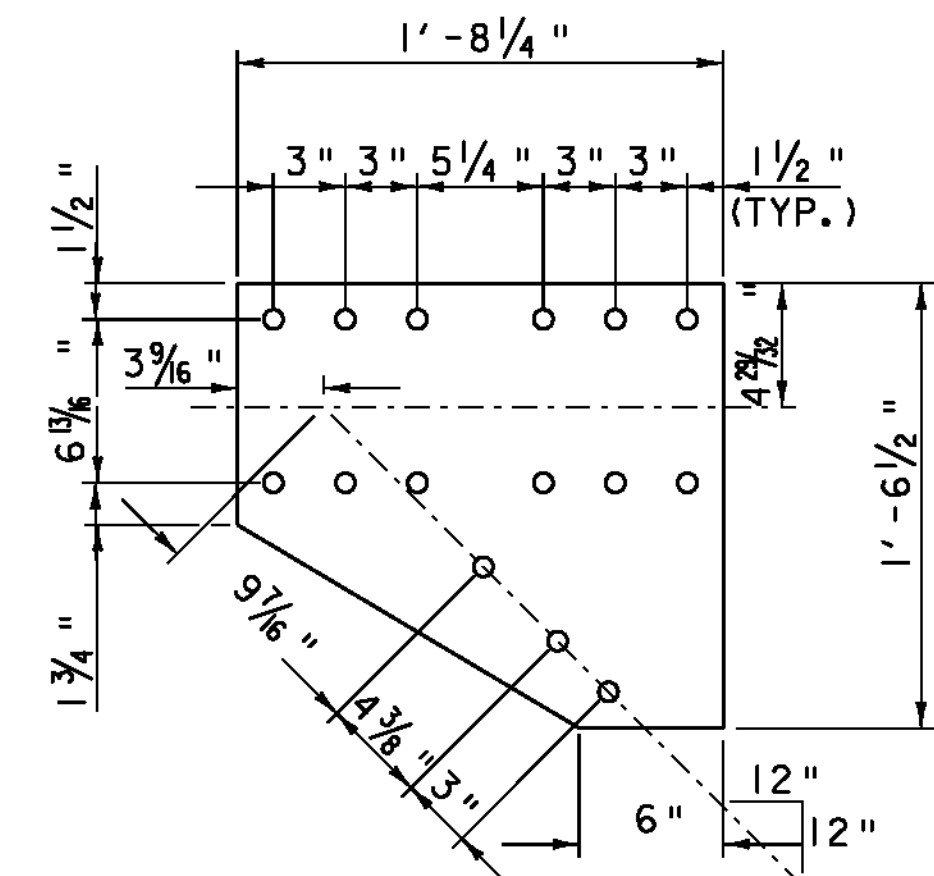
SCALE 1 1/2" = 1'-0"

3/4" DIAMETER BOLTS IN 5/16" HOLE, UNLESS OTHERWISE NOTED. MINIMUM BOLT EDGE AND DISTANCE = 1 1/2", UNLESS OTHERWISE NOTED.



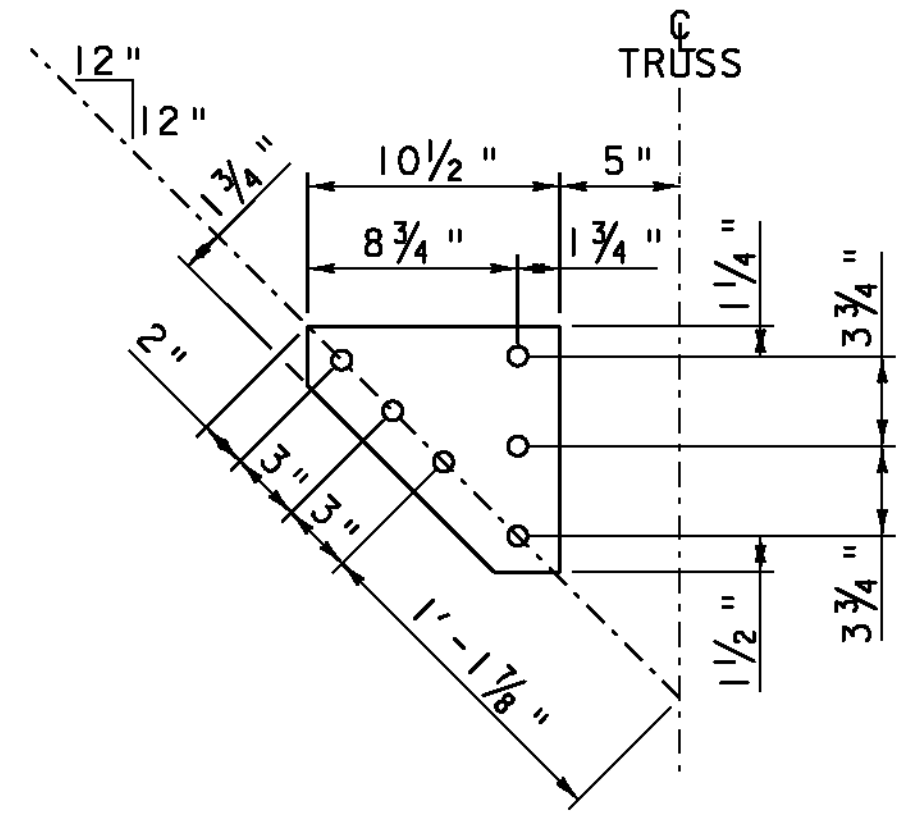
PL 5/16x9 9/16 x1'-0"

SCALE 1 1/2" = 1'-0"



PL 5/16x18 1/2x1'-8 1/4"

SCALE 1 1/2" = 1'-0"



PL 5/16x10 1/4x10 1/2"

SCALE 1 1/2" = 1'-0"

PROJECT NAME: BRIDGEWATER	PLOT DATE: 31-DEC-2009
PROJECT NUMBER: BRS 0149(4)	DRAWN BY: C. MOONEY
FILE NAME: s86e062roof.dgn	CHECKED BY: T. FILLBACH
PROJECT LEADER: K. HIGGINS	ROOF DETAILS
DESIGNED BY: T. FILLBACH	SHEET 30 OF 58