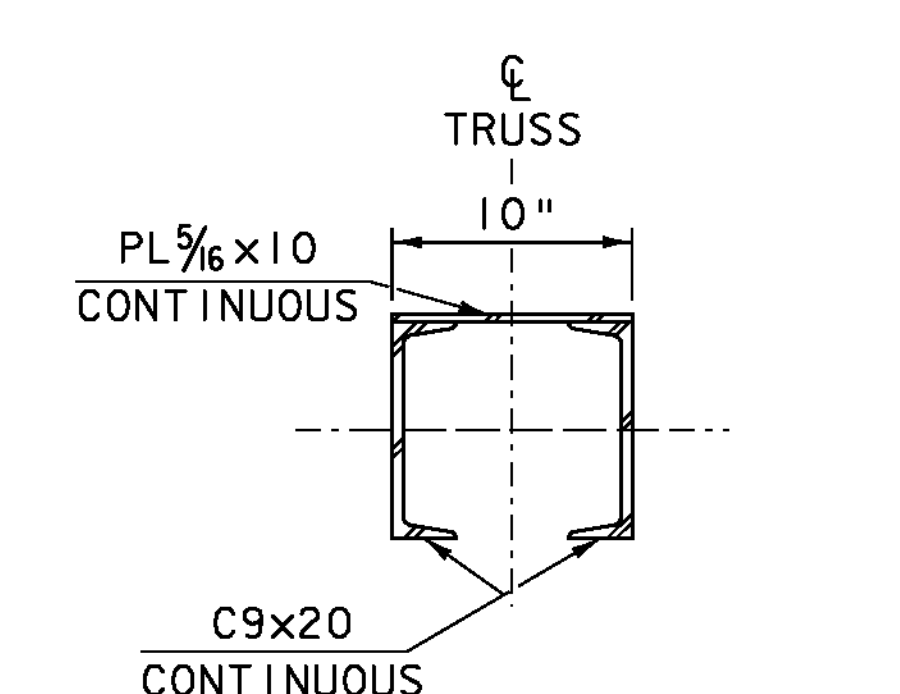
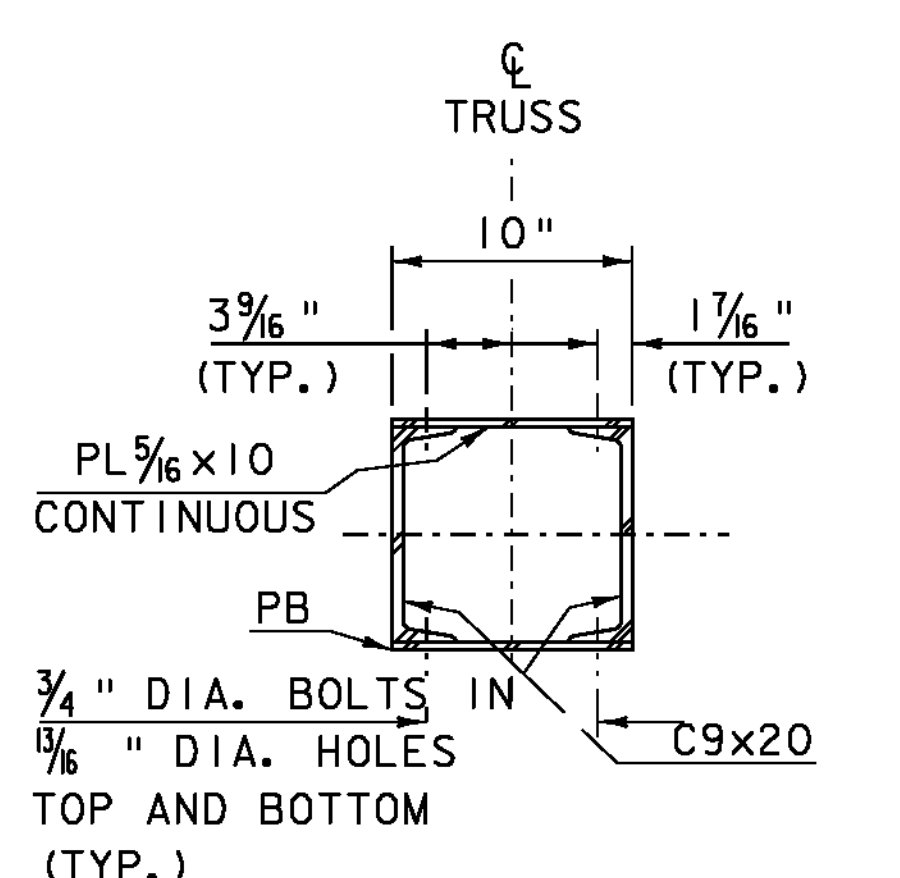


PB PLATE DETAIL
 PL 5/16 x 9 x 10
 SCALE 1 1/2" = 1'-0"
 9 6 3 0



SECTION A-A
 SCALE 1 1/2" = 1'-0"
 9 6 3 0



SECTION B-B
 SCALE 1 1/2" = 1'-0"
 9 6 3 0

BOTTOM CHORD "L0-L2"
 2C9x20 (FCM)
 PL 5/16 x 10 (FCM)

SCALE 3/4" = 1'-0"
 0 1 2

- NOTES:
1. SEE PLATE DETAILS FOR BOLT HOLE SPACING
 2. MIN. BOLT HOLE TO AND EDGE DISTANCE 1 1/2" UNLESS NOTED
 3. 3/8" DIA. BOLTS UNLESS NOTED
 4. 1/8" DIA. HOLES UNLESS NOTED

PROJECT NAME: BRIDGEWATER	PLOT DATE: 31-DEC-2009
PROJECT NUMBER: BRS 0149(4)	DRAWN BY: C. MOONEY
FILE NAME: s86e062truss.dgn	CHECKED BY: T. FILLBACH
PROJECT LEADER: K. HIGGINS	SHEET 21 OF 58
DESIGNED BY: T. FILLBACH	
BOTTOM CHORD L0-L2	