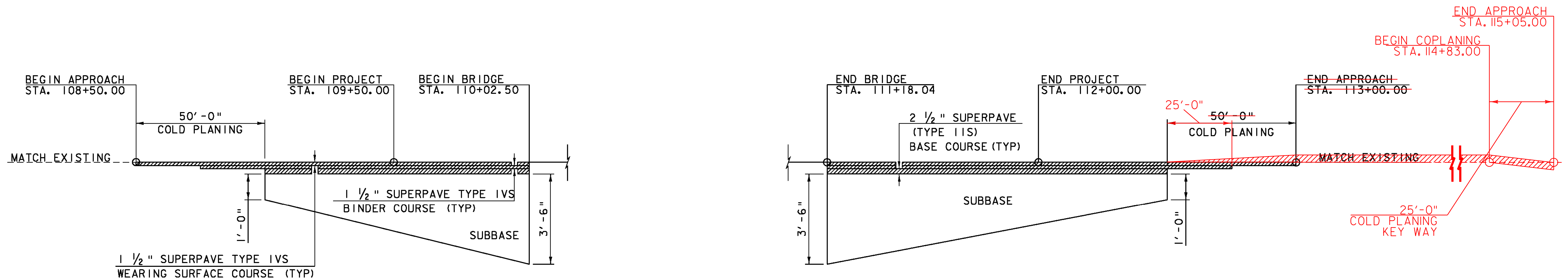


BANKING DIAGRAM
 HOR. SCALE 1" = 20'
 VER. SCALE 1" = 0.05 FT/FT



MATERIAL TRANSITION
 HOR. SCALE 1" = 20'
 VER. SCALE 1" = 2'

PROJECT NAME: BRIDGEWATER	
PROJECT NUMBER: BRS 0149(4)	
FILE NAME: s86e062xs.dgn	PLOT DATE: 31-DEC-2009
PROJECT LEADER: K. HIGGINS	DRAWN BY: J. SALVATORI
DESIGNED BY: T. FILLBACH	CHECKED BY: T. FILLBACH
BANKING DIAGRAM & MATERIAL TRANSITION SHEET 11 OF 58	