

METRIC

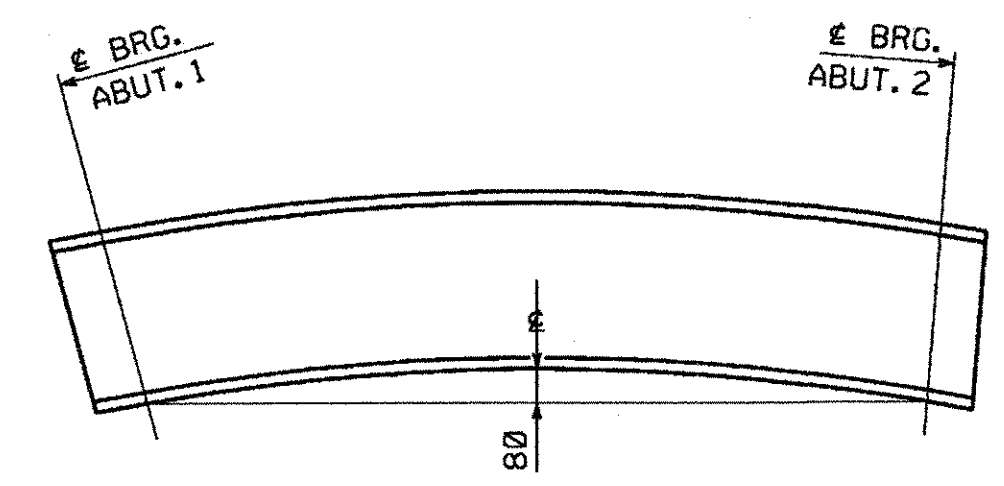
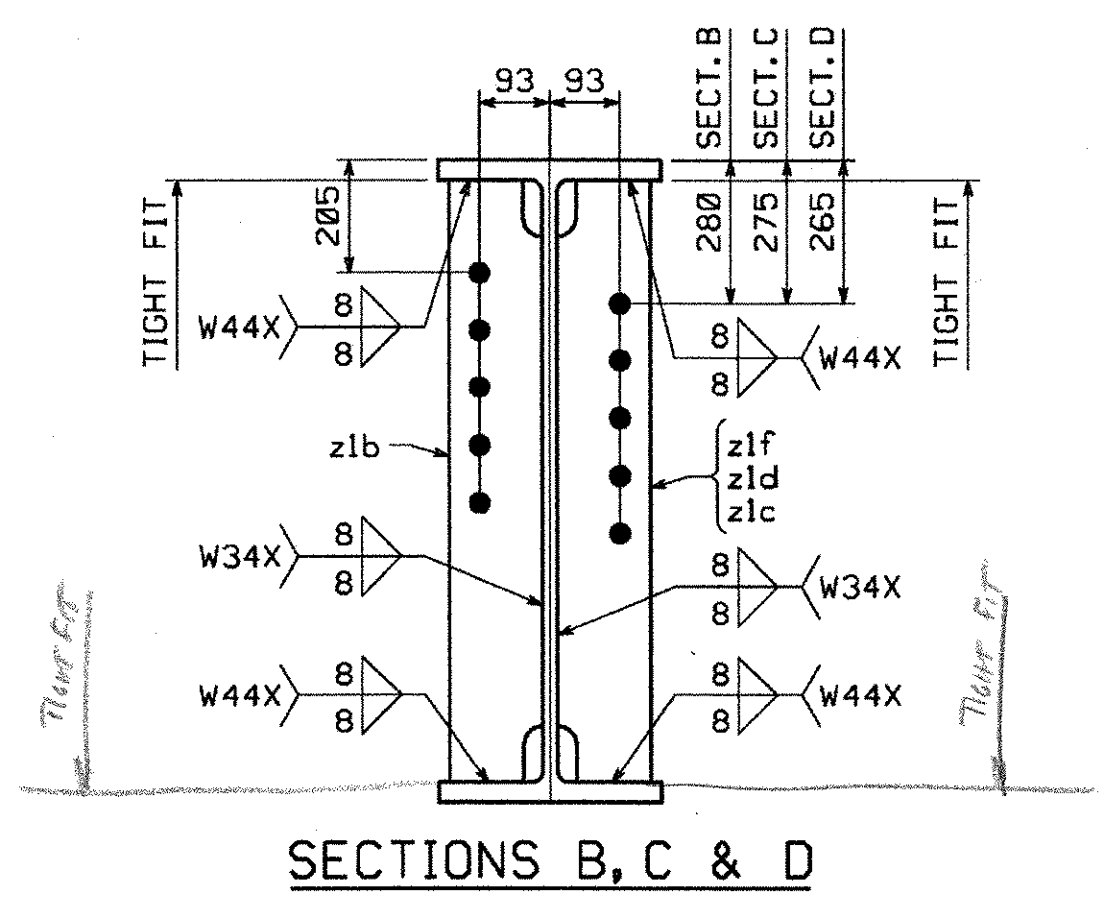
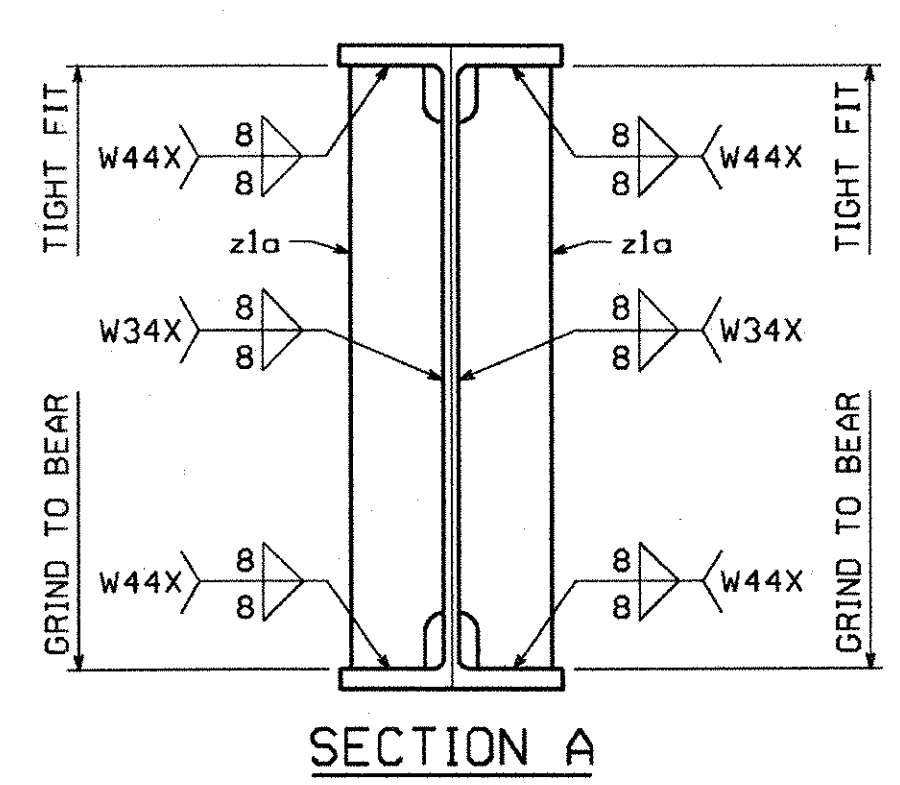
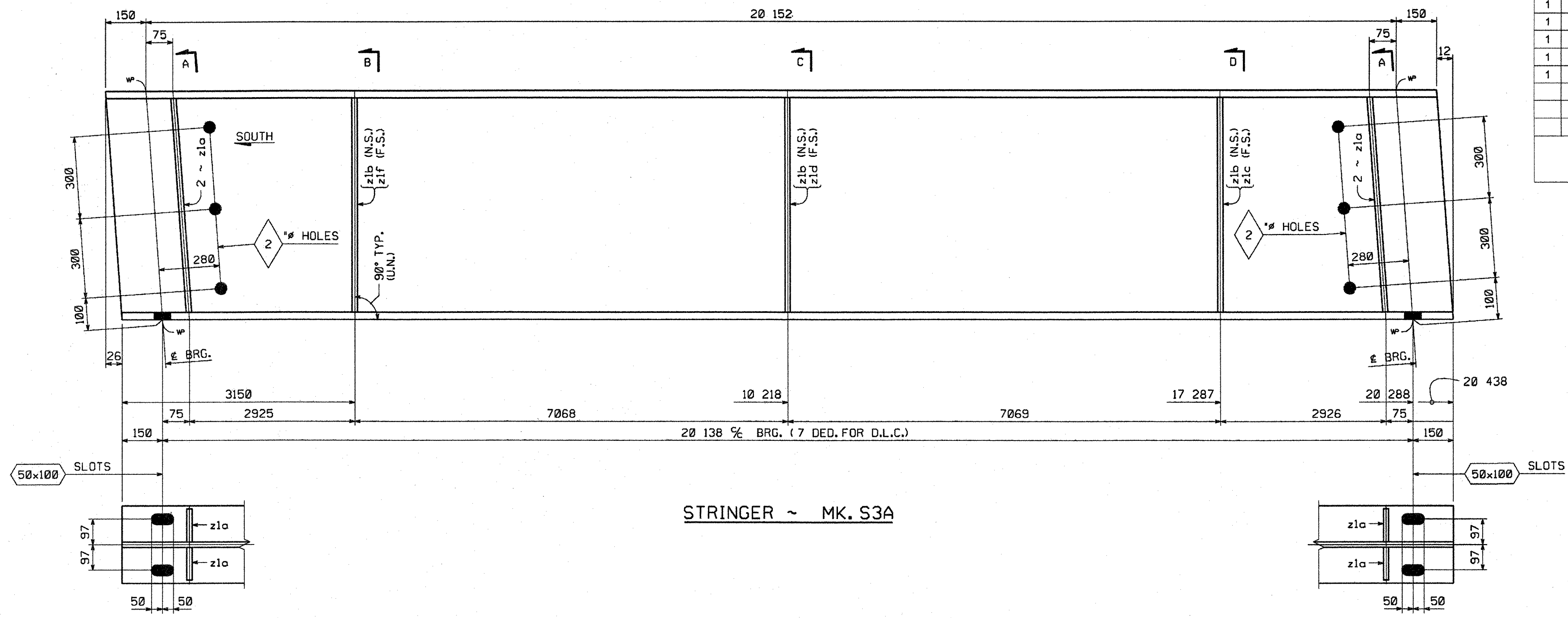
1. ALL DIMENSIONS ARE IN MILLIMETERS UNLESS OTHERWISE NOTED.
2. ALL WEIGHTS ARE IN KILOGRAMS.

FED. ROAD DIV. NO.	STATE	FED. AID PROJ. NO.
	VT	

BILL OF MATERIAL

SHIP. QTY EA	MARK	COMMODITY	DESCRIPTION	LENGTH	SPEC	GRADE	TEST	REMARKS	GRP.	ITEM	SHIP WEIGHT EA
1	1	SSA	STRINGER								4 745.29
1	1	W	840 x 226	20 464	M270M	345W	T	(W33 x 152)	5	1	4 624.86
1	4	z1a	PL 19 x 125	797	M270M	345W	T		8	1	59.43
1	3	z1b	PL 13 x 125	797	M270M	345W	T		8	2	30.50
1	1	z1c	PL 13 x 125	797	M270M	345W	T		8	2	10.17
1	1	z1d	PL 13 x 125	797	M270M	345W	T		8	2	10.17
1	1	z1f	PL 13 x 125	797	M270M	345W	T		8	2	10.17

TOTAL WEIGHT THIS SHEET: 4 745.29 kg



SHOP NOTE
HOLES: 1" (U.N.)
BOLTS: NONE
PAINT: NONE
 FOR GENERAL SHOP NOTES, SEE DWG. GNI.

RECEIVED
 OK'D BY *WMS* OK'D BY *JJR*
 FEB 14 2006
 RESUBMIT APPROVED *A. Nold*
 BY *WY* DATE 3/15/06

NO.	REVISION	BY	DATE
1770 Hemstead Road Lancaster, PA 17605-0008 Phone 717/299-5211 HIGH STEEL STRUCTURES, INC. A Division of High Industries, Inc.			
STRINGER		S3A	
VERMONT ROUTE 100 OVER DOWSVILLE BROOK			
VERMONT ROUTE 100 STA. 0+239.930 TO STA. 0+260.070			
TOWN OF DUXBURY, WASHINGTON COUNTY, VERMONT			
STATE OF VERMONT			
AGENCY OF TRANSPORTATION			
STATE CONTRACT OR REF. NO. BRIDGE NO. 187, DUXBURY STP 013-4 (24)			
CONTRACTOR AUSTIN CONSTRUCTION, INC.			
IN CHARGE: BRITIGAN (IH)		MADE BY: RC	CHK'D BY: WBW DATE: 2/6/06
CONTRACT NUMBER: VT-05124-1		DRAWING NUMBER: 5 OF 7	

PLOTTED: 02/07/06 08:47:57 AM
 BY: Mkranda

07955