

METRIC

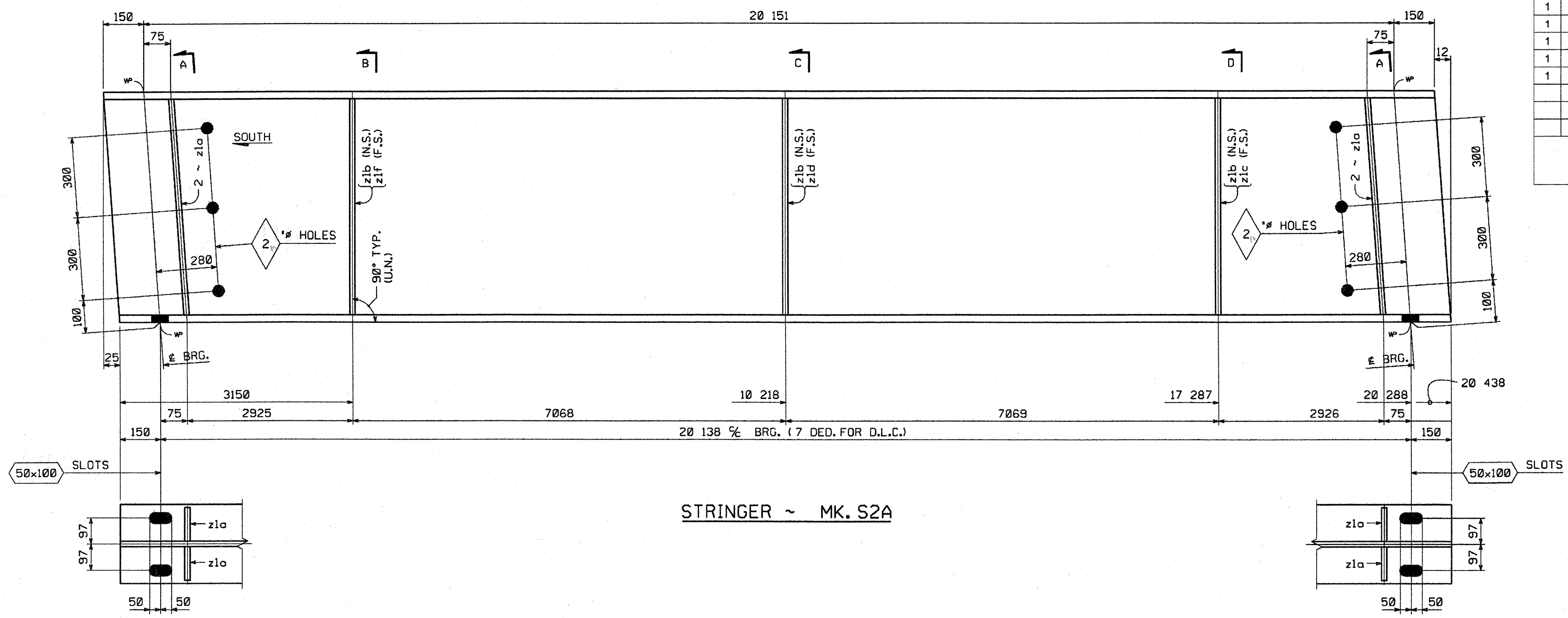
1. ALL DIMENSIONS ARE IN MILLIMETERS UNLESS OTHERWISE NOTED.
2. ALL WEIGHTS ARE IN KILOGRAMS.

FED. ROAD DIV. NO.	STATE	FED. AID PROJ. NO.
	VT	

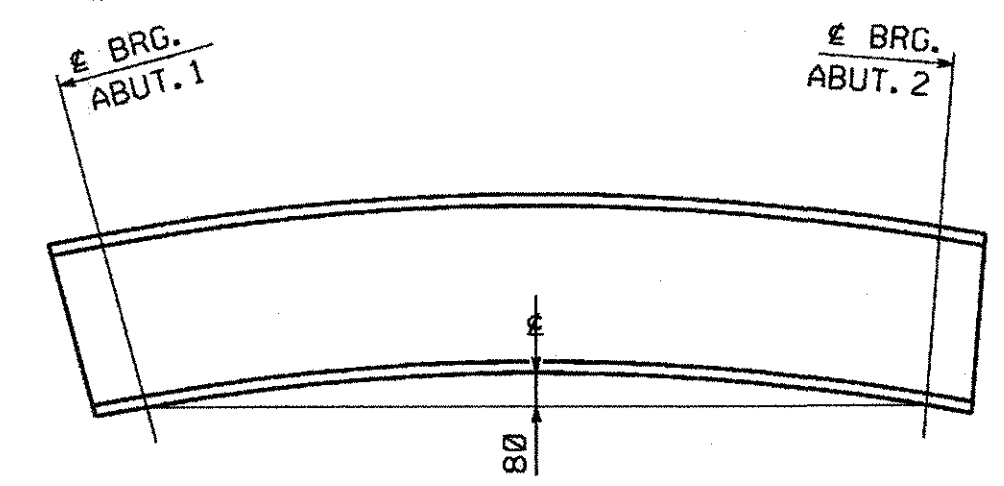
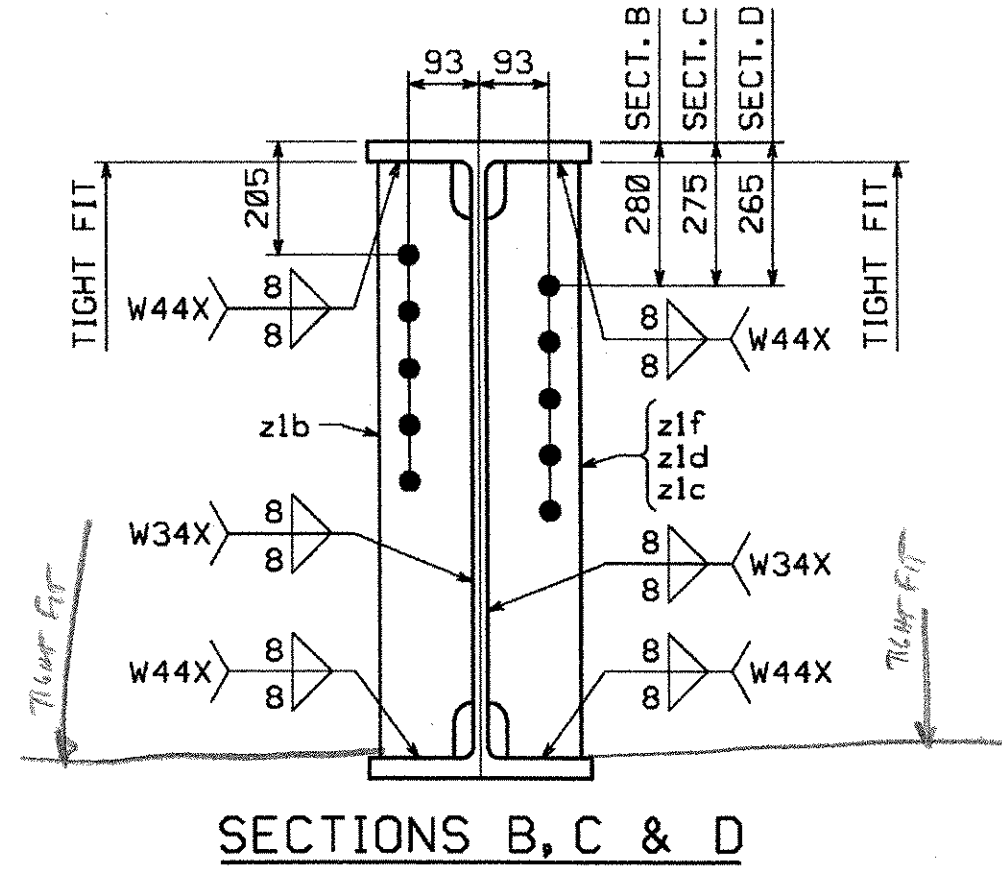
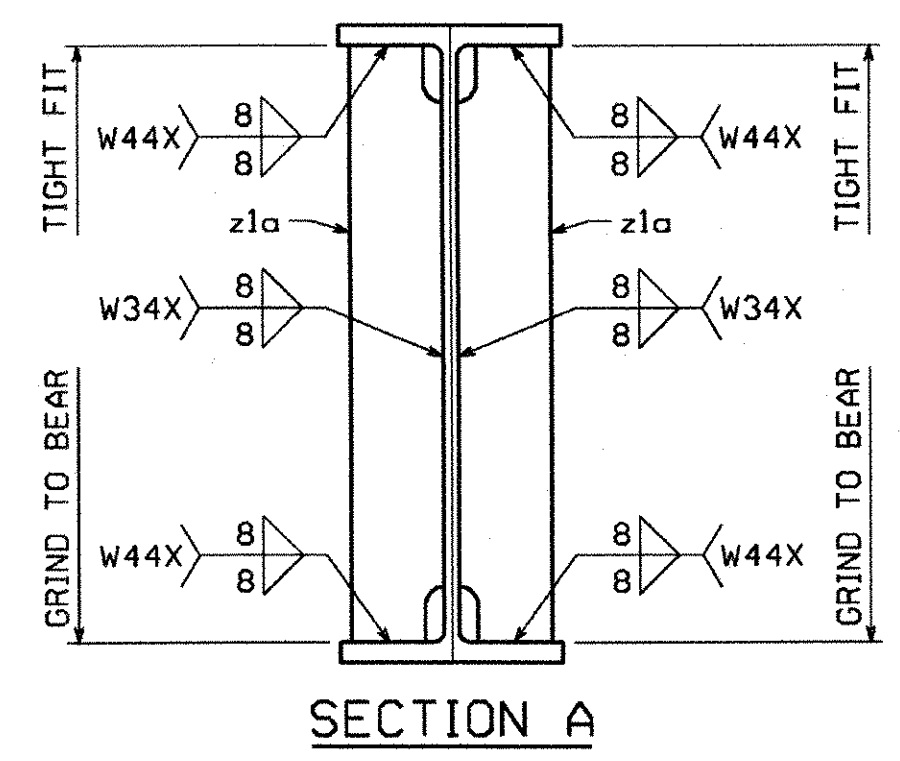
BILL OF MATERIAL

SHIP. QTY EA	MARK	COMMODITY	DESCRIPTION	LENGTH	SPEC	GRADE	TEST	REMARKS	GRP	ITEM	SHIP WEIGHT EA
1	S2A		STRINGER								4 745.06
1		W	840 x 226	20 483	M270M	345W	T	(W33 x 152)	5	1	4 624.64
1	4	z1a	PL 19 x 125	797	M270M	345W	T		8	1	59.43
1	3	z1b	PL 13 x 125	797	M270M	345W	T		8	2	30.50
1	1	z1c	PL 13 x 125	797	M270M	345W	T		8	2	10.17
1	1	z1d	PL 13 x 125	797	M270M	345W	T		8	2	10.17
1	1	z1f	PL 13 x 125	797	M270M	345W	T		8	2	10.17

TOTAL WEIGHT THIS SHEET: 4 745.06 kg



STRINGER ~ MK. S2A



CAMBER DIAGRAM

SHOP NOTE

HOLES: 1" (U.N.)
BOLTS: NONE
PAINT: NONE
FOR GENERAL SHOP NOTES, SEE DWG. GNI.

RECEIVED
OK'D BY: *WJS* OK'D BY: *JTR*
FEB 14 2006
RESUBMIT APPROVED BY: *WJS*
BY: *WJS* DATE: 2/10/06

NO.	REVISION	BY	DATE
 1770 Hempstead Road Lancaster, PA 17605-0008 Phone 717/299-5211 A Division of High Industries, Inc.			
STRINGER S2A			
VERMONT ROUTE 100 OVER DOWNSVILLE BROOK			
VERMONT ROUTE 100 STA. 0+239.930 TO STA. 0+260.070			
TOWN OF DUXBURY, WASHINGTON COUNTY, VERMONT			
STATE OF VERMONT			
AGENCY OF TRANSPORTATION			
STATE CONTRACT OR REF. NO. BRIDGE NO. 187, DUXBURY STP 013-4 (24)			
CONTRACTOR AUSTIN CONSTRUCTION, INC.			
IN CHARGE: BRITIGAN (IH) MADE BY: RC CHK'D BY: W/BW DATE: 2/6/06			
CONTRACT NUMBER: VT-05124-1 DRAWING NUMBER: 4 OF 7			

PLOTTED: 02/07/06 BY: MK-05061 08:47:50 AM