

METRIC

1. ALL DIMENSIONS ARE IN MILLIMETERS UNLESS OTHERWISE NOTED.
2. ALL WEIGHTS ARE IN KILOGRAMS.

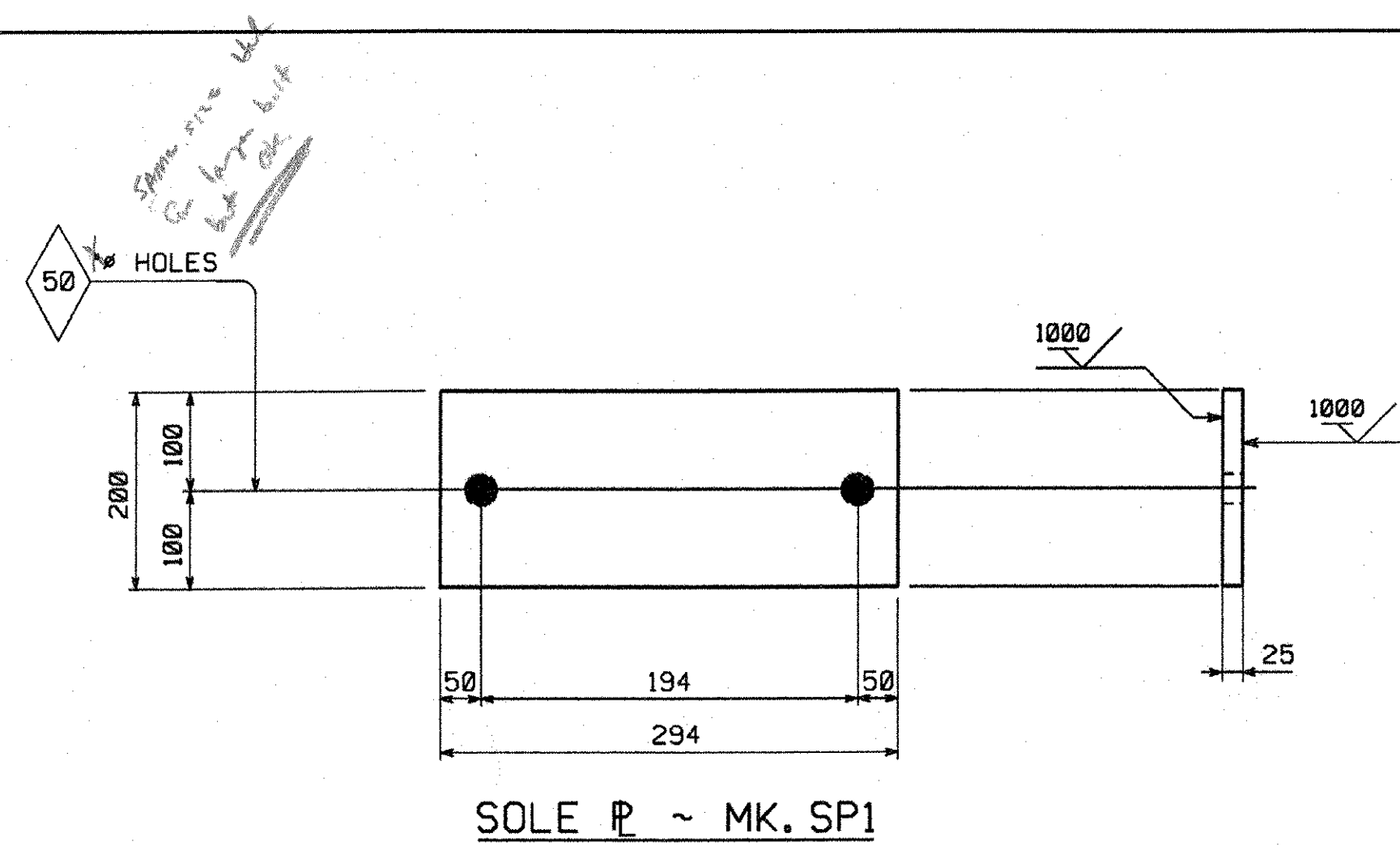
FED. ROAD DIV. NO.	STATE	FED. AID PROJ. NO.
	VT	

BILL OF MATERIAL

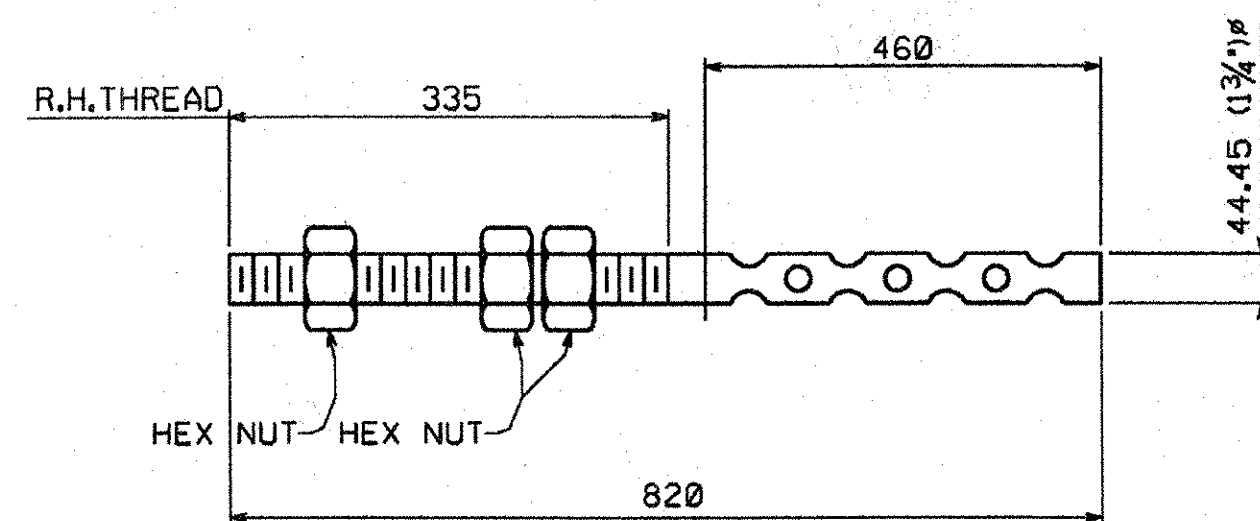
QTY EA	MARK	COMMODITY	DESCRIPTION	LENGTH	SPEC	GRADE	TEST	REMARKS	GRP.	ITEM	SHIP WEIGHT EA
SOLE PLATE											
10	SP1	PL	25 x 200	294	M270M	345		GALV. M111	2	1	12
ANCHOR BOLTS											
20	AB1	Anch Bolt	44.45 DIA.	820	A449			ASTM A449 W/3 A563 GR. DH.H.V. HEX NUTS; GALV. A153	1	1	11
WASHERS											
40	W1	PL	13 x 100	100	M270M	345		GALV. M232	1	2	1

TOTAL WEIGHT BID ITEM NO. 0150 531.10

380 kg



SOLE PLATE ~ MK. SP1



ANCHOR BOLTS ~ MK. AB1
CODE: P

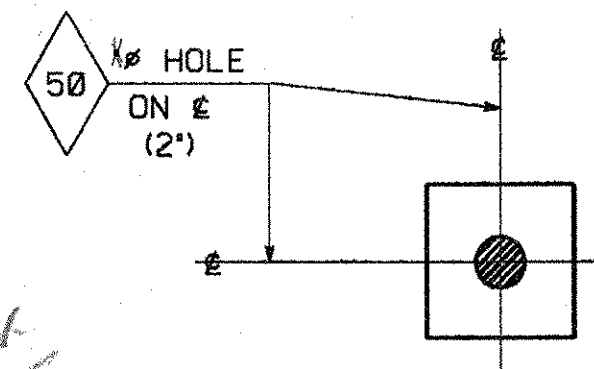


PLATE WASHERS ~ MK. W1
CODE: P

*NUT = 44.45 dia
A449 Nut & 25mm dia
27mm dia
151.9 ~ 178 ok*

*A 449 fy = 400 MPa
fy = 620 MPa
F 510 = fy = 40 MPa = 45,700 psi
fy = 530 MPa = 76,900 psi
Subst? If so use A563 nut
OK*

RECEIVED
OK'D BY: *WJ* ON'D BY: *JK*
FEB 14 2006
RESUBMIT: _____ APPROVED: *As Not*
BY: *WJ* DATE: *3/1/06*

NO.	REVISION	BY	DATE
1770 Hempstead Road Lancaster, PA 17605-0008 Phone 717/299-5211 HIGH STEEL STRUCTURES, INC. A Division of High Industries, Inc.			
BEARINGS			
VERMONT ROUTE 100 OVER DOWSVILLE BROOK			
VERMONT ROUTE 100 STA. 0+239.930 TO STA. 0+260.070			
TOWN OF DUXBURY, WASHINGTON COUNTY, VERMONT			
STATE OF VERMONT			
AGENCY OF TRANSPORTATION			
STATE CONTRACT OR REF. NO. BRIDGE NO. 107, DUXBURY STP 013-4 (24)			
CONTRACTOR AUSTIN CONSTRUCTION, INC.			
IN CHARGE: BRITIGAN (IH)		MADE BY: MGK	CHK'D BY: WBW DATE: 2/06/06
CONTRACT NUMBER: VT-05124-1		DRAWING NUMBER: 1 OF 7	

SHOP NOTE

HOLES: AS NOTED
BOLTS: NONE
PAINT: NONE
FOR GENERAL SHOP NOTES, SEE DWG. 0N1.

BY: MK-ndal
PLOTTED: 02/07/06 08:47:28 AM