

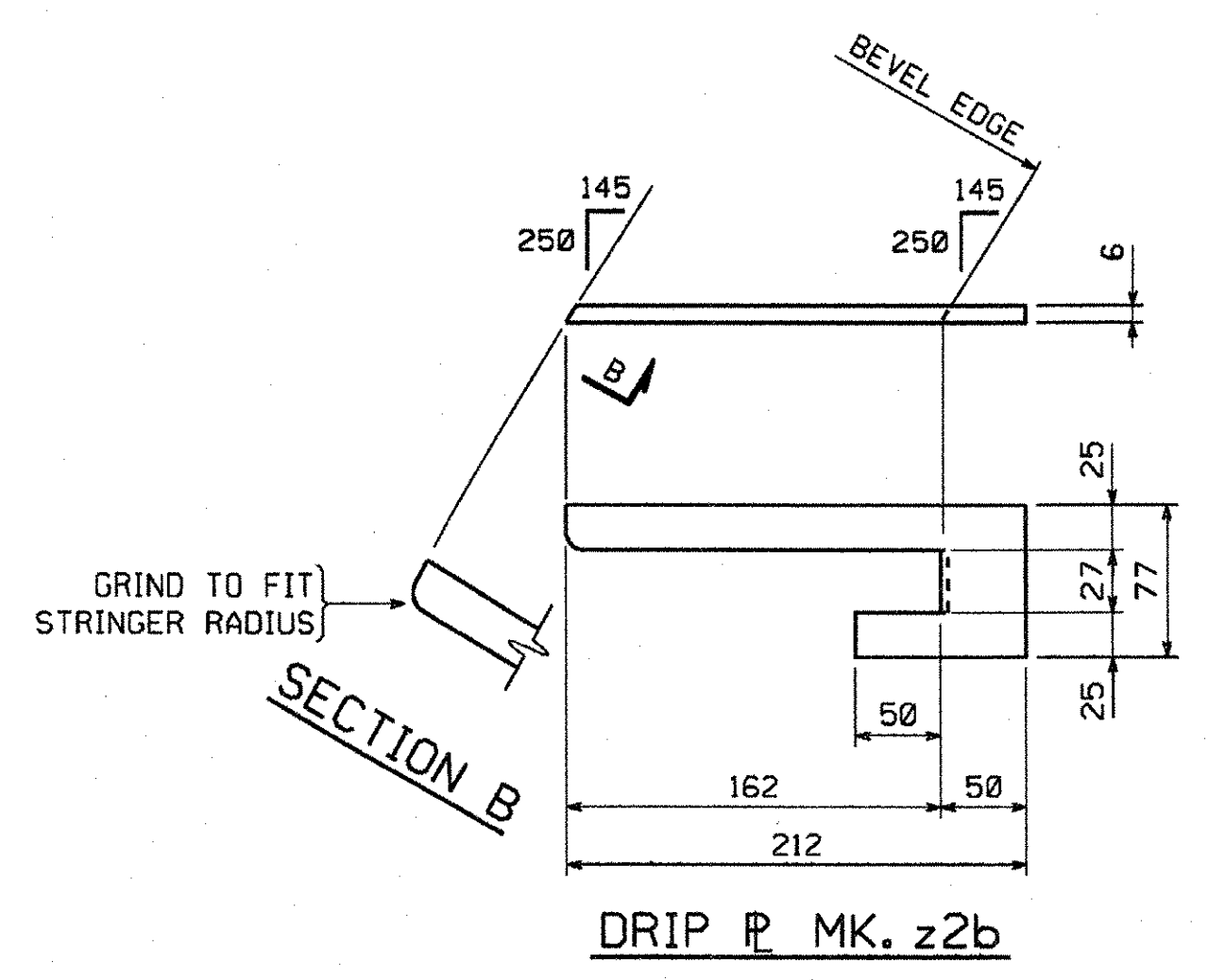
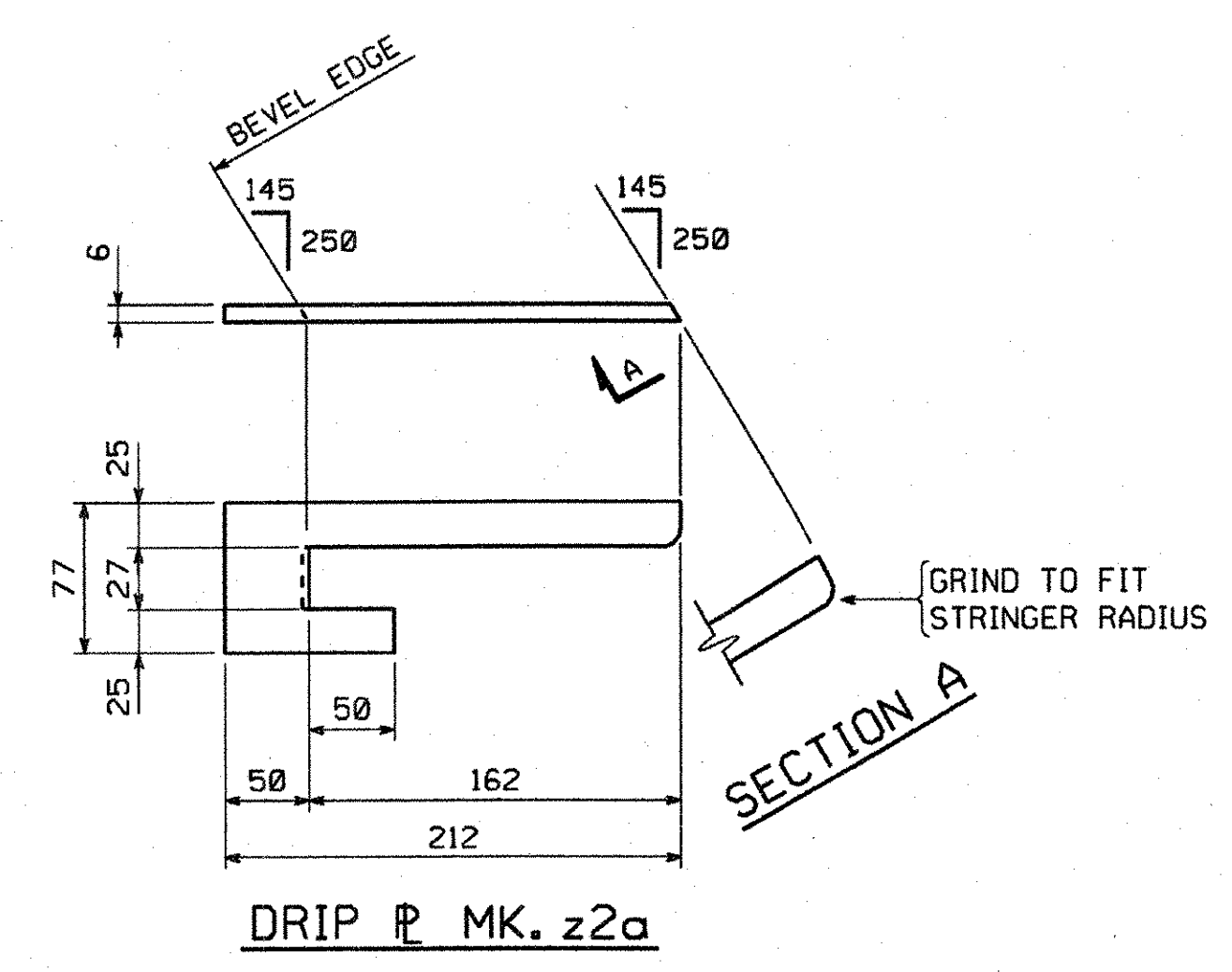
METRIC

1. ALL DIMENSIONS ARE IN MILLIMETERS UNLESS OTHERWISE NOTED.
2. ALL WEIGHTS ARE IN KILOGRAMS.

FED. ROAD DIV. NO.	STATE	FED. AID PROJ. NO.
	VT	

BILL OF MATERIAL

SHIP.	QTY	MARK	COMMODITY	DESCRIPTION	LENGTH	SPEC	GRADE	TEST	REMARKS	GRP.	ITEM	WEIGHT EA (KG)
1	1	z2a	PL	6 x 77	212	M270M	345W			8	3	0.77
1	1	z2b	PL	6 x 77	212	M270M	345W			8	3	0.77



RECEIVED
CK'D BY: *[Signature]* OK'D BY: *[Signature]*
FEB 14 2006
RESUBMIT: _____ APPROVED:
BY: *Wjg* DATE: 3/1/06

NO.	REVISION	BY	DATE

1170 Hempstead Road
Lancaster, PA 17605-0008
Phone 717/299-5211
HIGH STEEL STRUCTURES, INC.
A Division of High Industries, Inc.

SHOP NOTE

HOLES: NONE
BOLTS: NONE
PAINT: NONE
FOR GENERAL SHOP NOTES, SEE DWG. GNI.

STRINGER JOB STANDARDS
VERMONT ROUTE 100 OVER DOWSVILLE BROOK
VERMONT ROUTE 100 STA. 0+239.930 TO STA. 0+260.070
TOWN OF DUXBURY, WASHINGTON COUNTY, VERMONT
STATE OF VERMONT
AGENCY OF TRANSPORTATION

STATE CONTRACT OR REF. NO. BRIDGE NO. 187, DUXBURY STP 013-4 (24)
CONTRACTOR: AUSTIN CONSTRUCTION, INC.
IN CHARGE: BRITIGAN (IH) MADE BY: RC CHK'D BY: WBW DATE: 2/3/06
CONTRACT NUMBER: VT-05124-1 DRAWING NUMBER: 22 OF 22

CODE:50

073 55

BY: MKe:ddi
PLOTTER: 02/07/06
08:47:20 AM