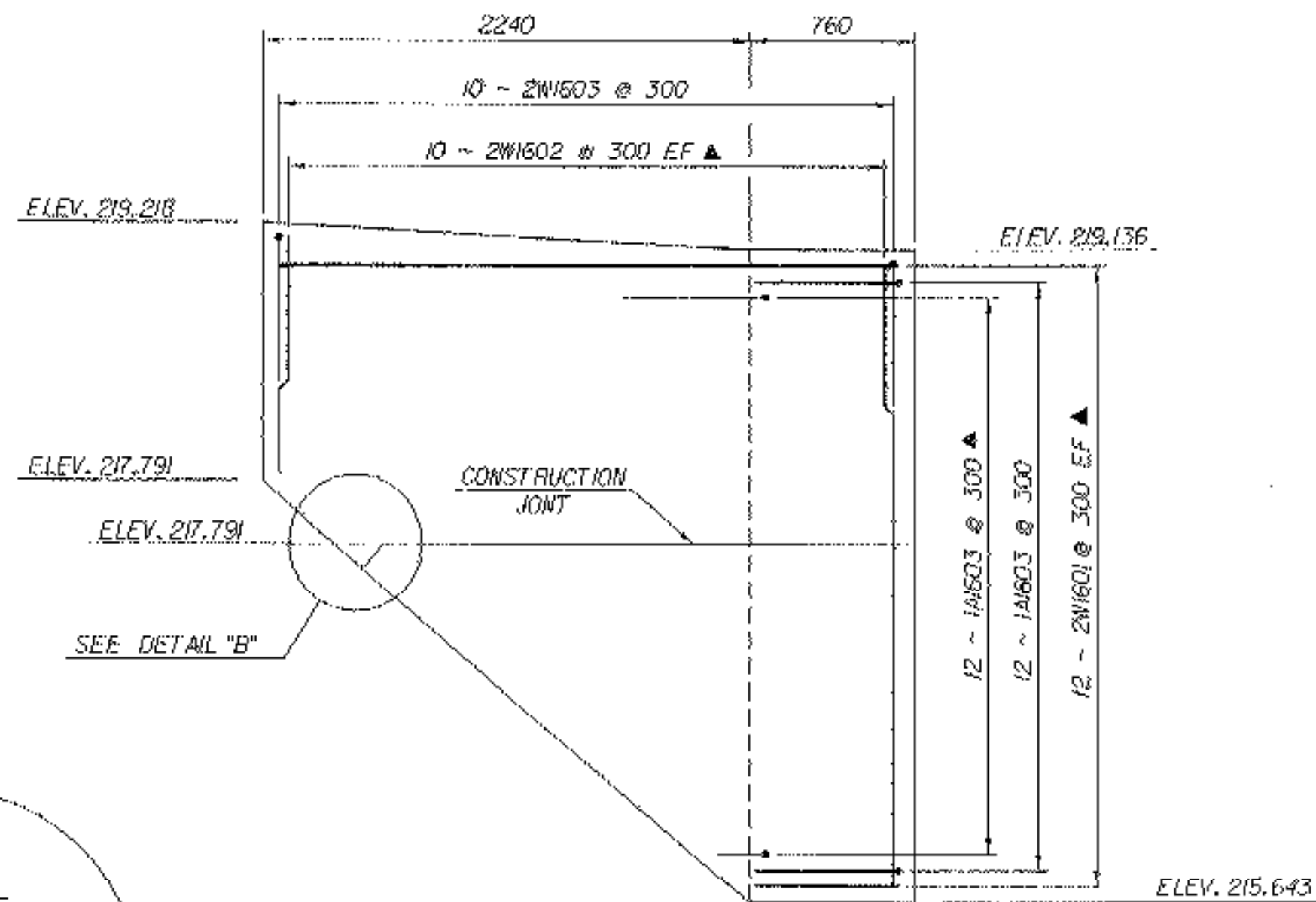
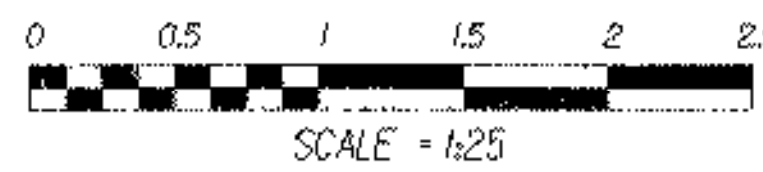
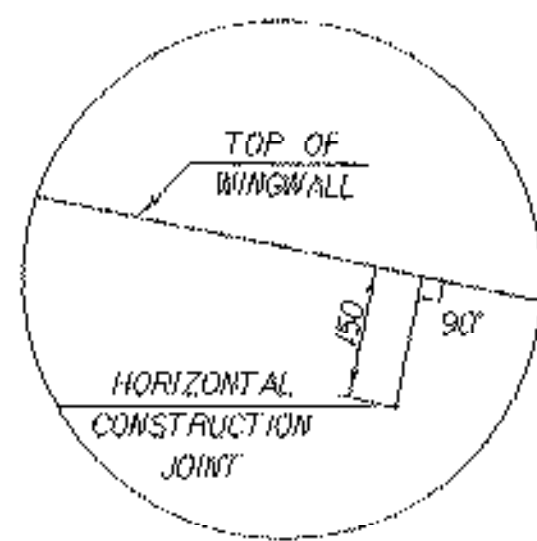


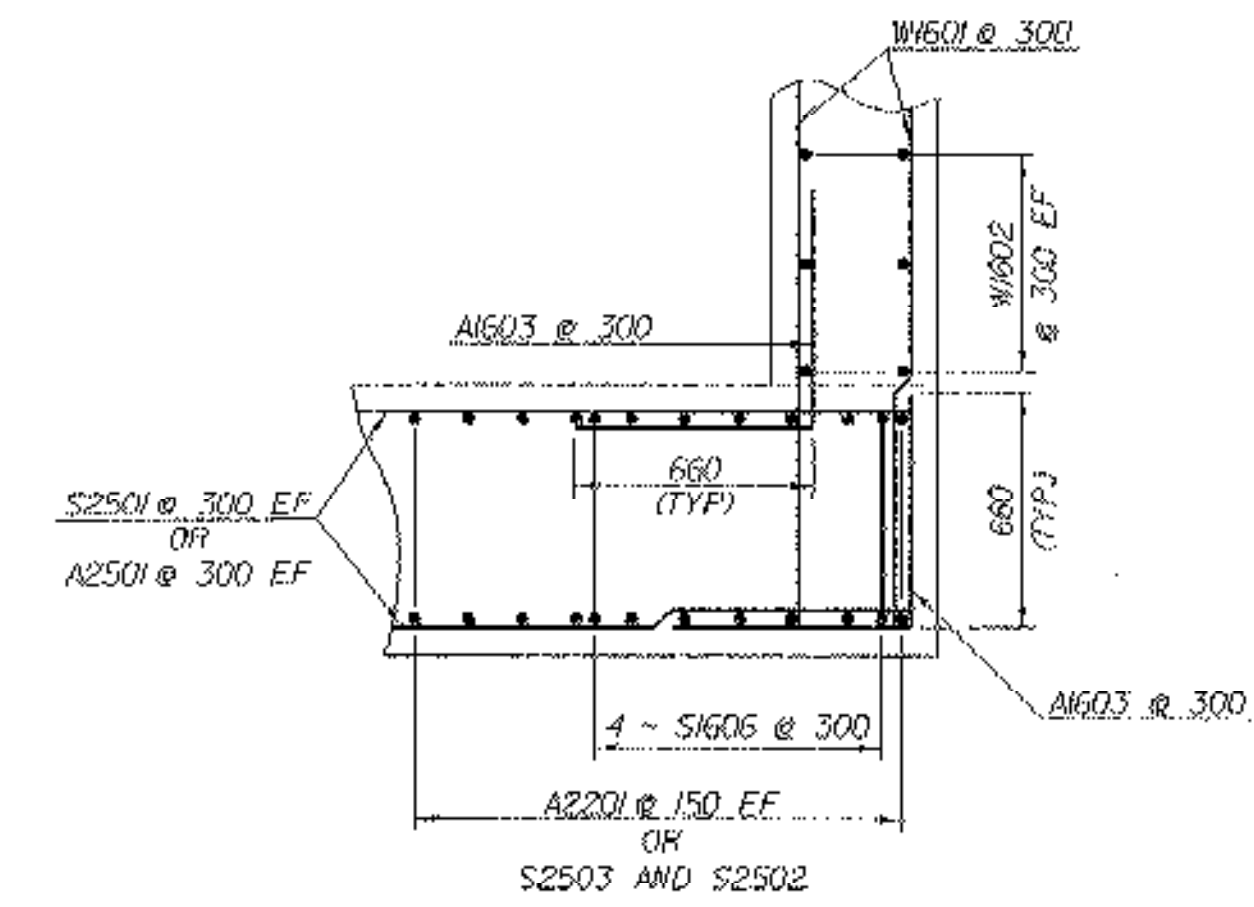
WINGWALL # 1 ELEVATION



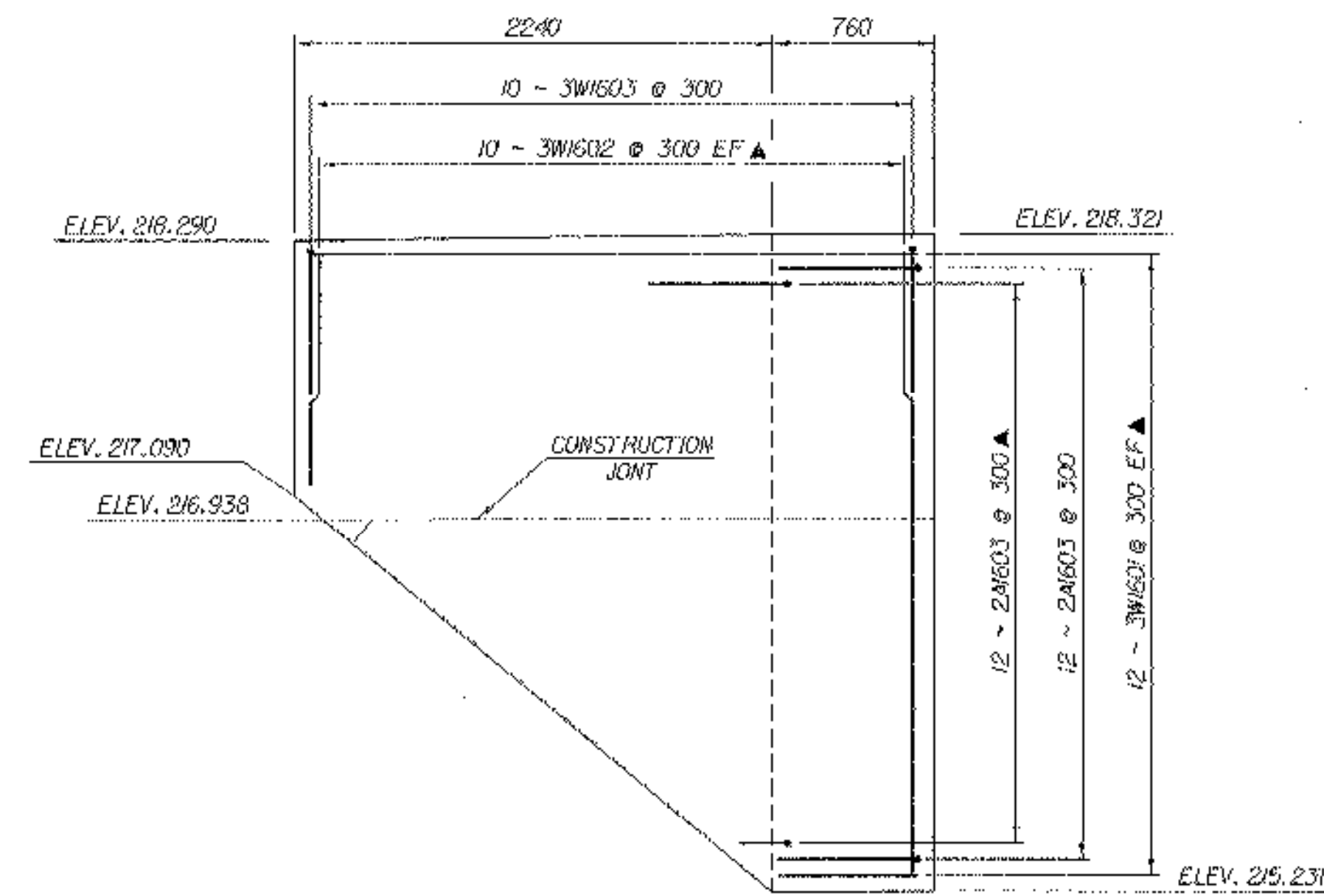
WINGWALL # 2 ELEVATION



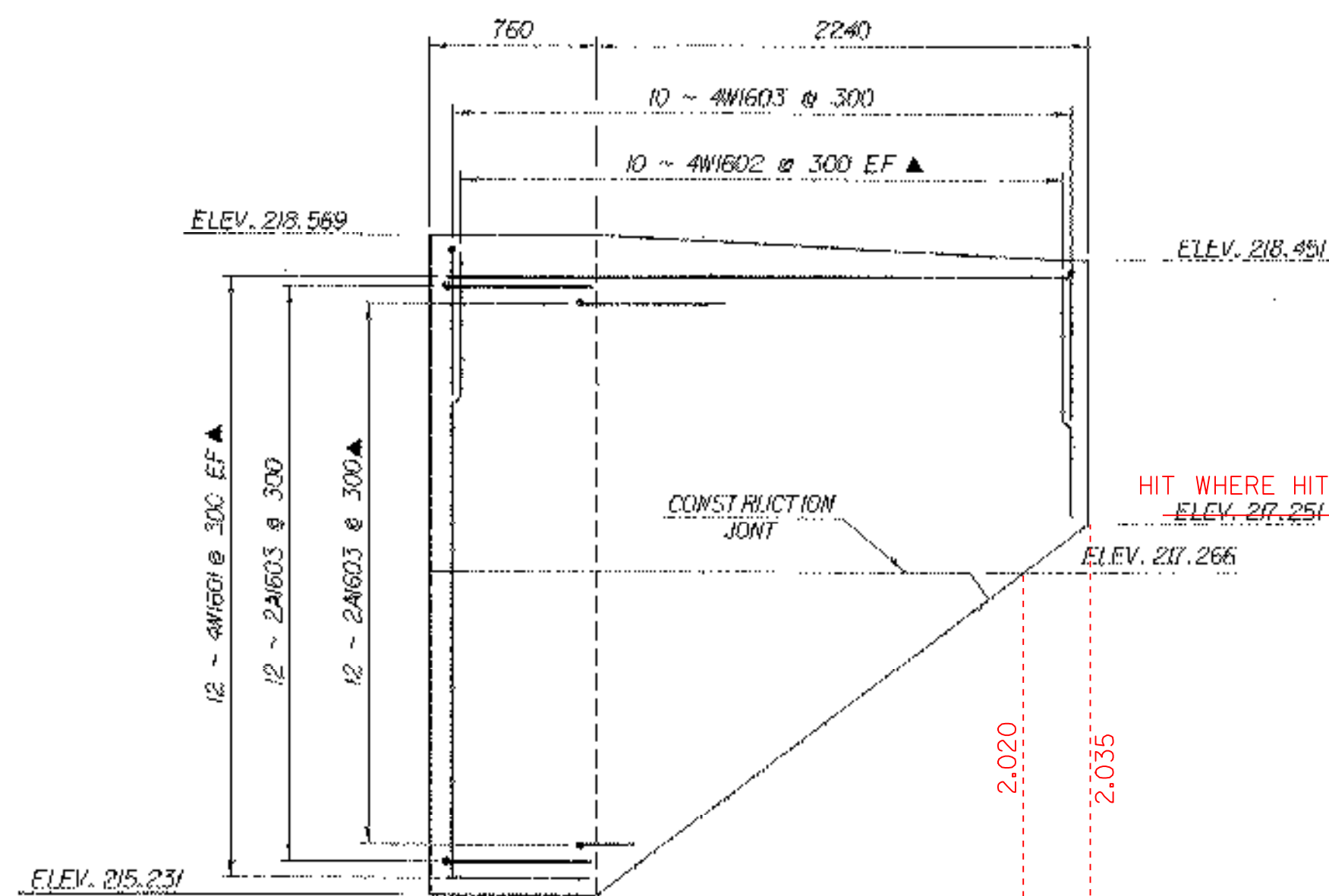
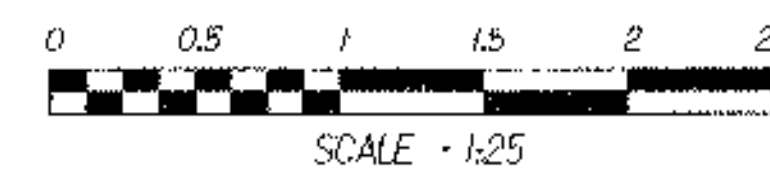
DETAIL "B"
NTS



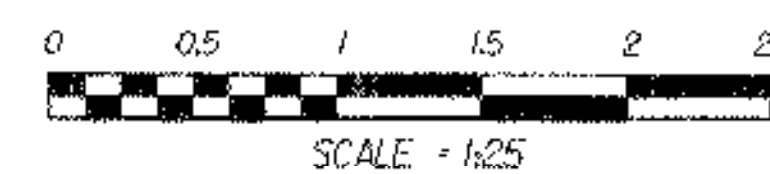
TYPICAL CORNER DETAIL



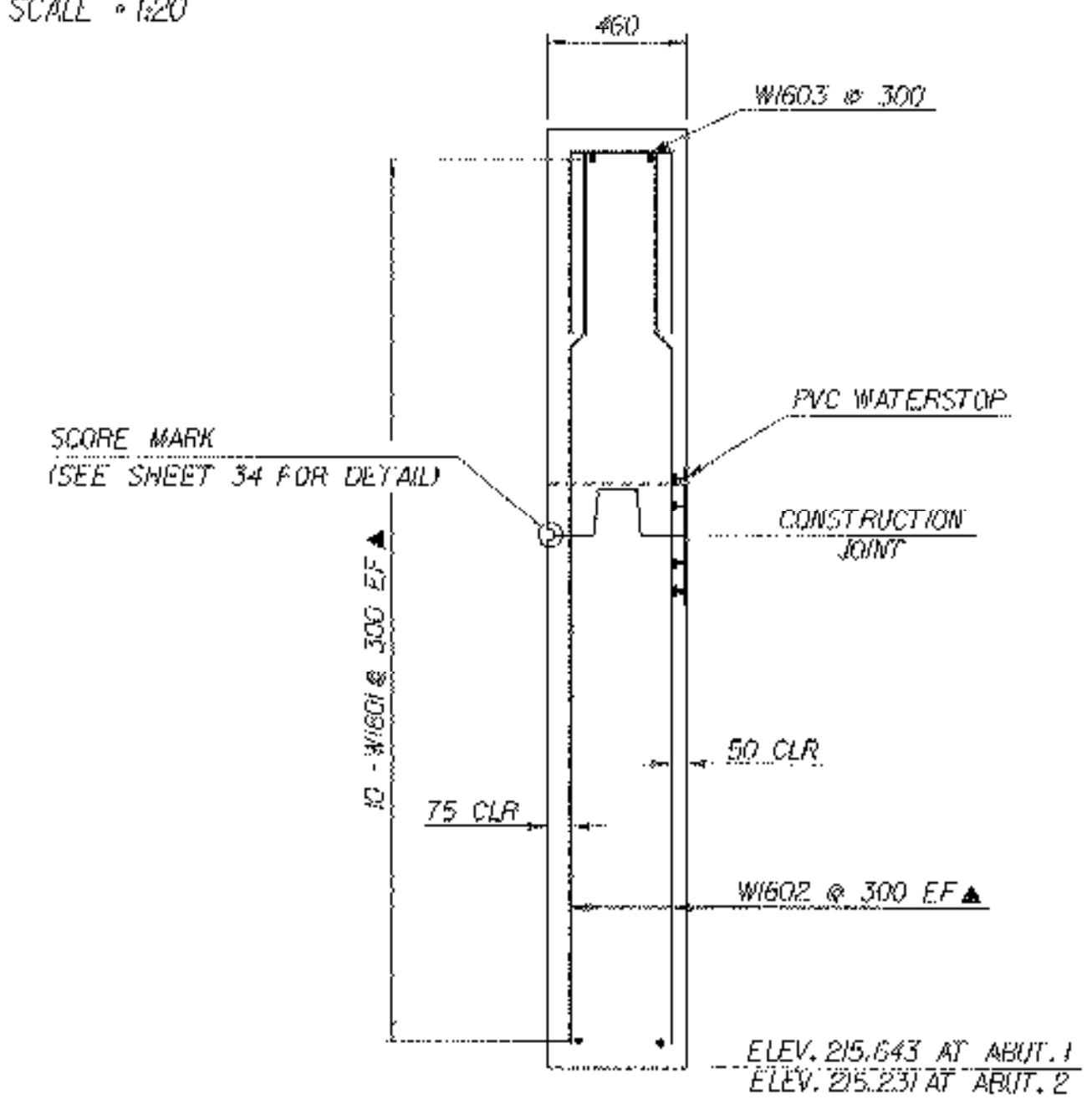
WINGWALL # 3 ELEVATION



WINGWALL # 4 ELEVATION



HIT WHERE HIT
ELEV. 217.251
1:2074 HEIGHT
MEANS NOTHING



WINGWALL TYPICAL



NOTE:

- NF - NEAR FACE
- FF - FAR FACE
- EF - EACH FACE
- ▲ - CUT TO FIT IN FIELD
- 75 CLR, UNLESS OTHERWISE SPECIFIED ON THE PLANS.

WINGWALL DETAILS

PROJECT NAME: DUXBURY	PLOT DATE: 20-OCT-2005
PROJECT NUMBER: STP 013-4(24)	DRAWN BY: R. VANHAMBURG
FILE NAME: /s1r5/86e059/se059sub.dgn	CHECKED BY: T. SUMNER
DESIGNED BY: W. FARLEY	SHEET 41 OF 62