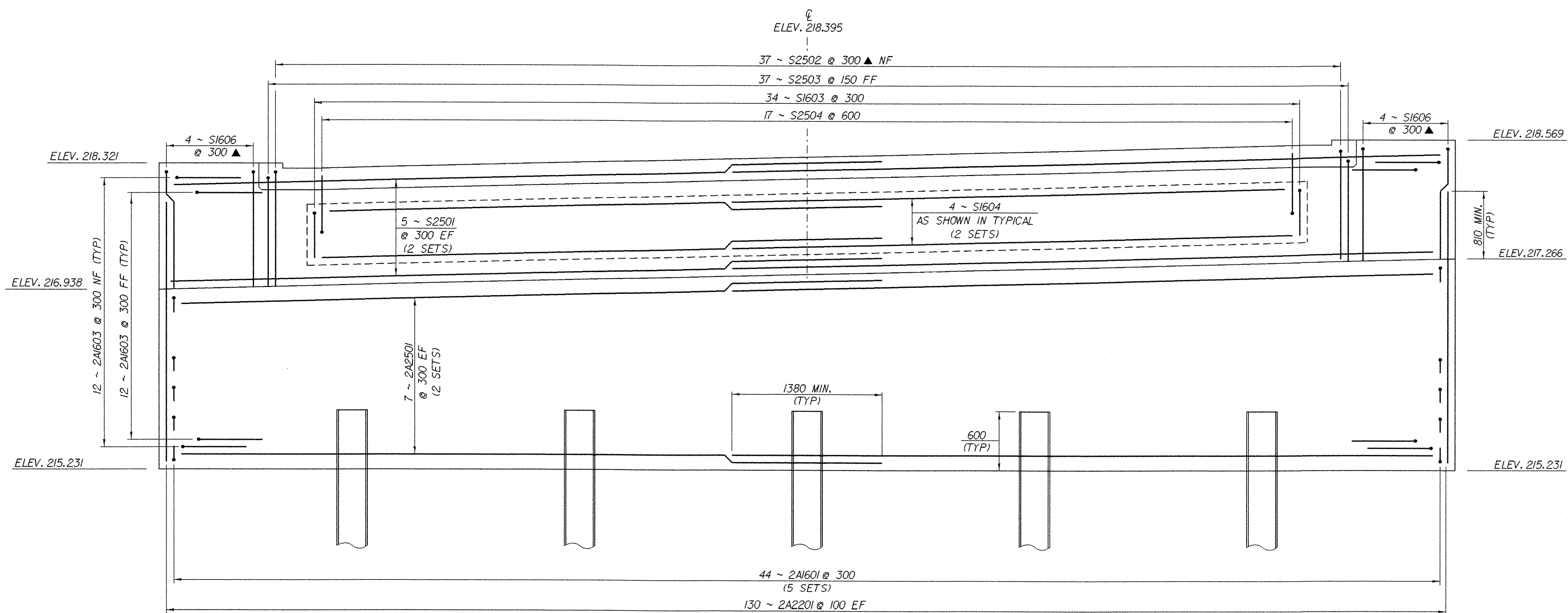
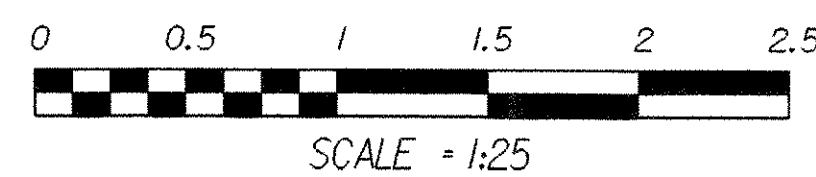
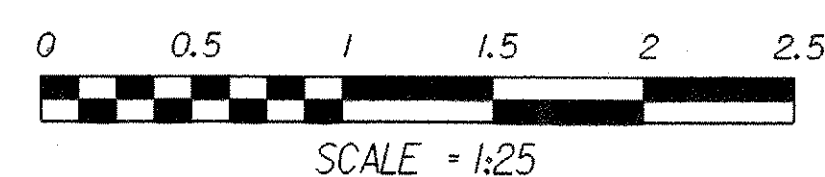


ABUTMENT # 2 PLAN



ABUTMENT # 2 ELEVATION



NOTE:

- NF = NEAR FACE
 - FF = FAR FACE
 - EF = EACH FACE
 - ▲ = CUT TO FIT IN FIELD
- 75 CLR. UNLESS OTHERWISE SPECIFIED ON THE PLANS.

ABUTMENT #2 PLAN & ELEVATION

PROJECT NAME: DUXBURY
 PROJECT NUMBER: STP 013-4(24)

FILE NAME: /str5/86e059/se059sub.dgn PLOT DATE: 20-OCT-2005
 PROJECT LEADER: C. KELLER DRAWN BY: R. VANHAMBURG
 DESIGNED BY: W. FARLEY CHECKED BY: T. SUMNER
 se059ab2.j SHEET 40 OF 62