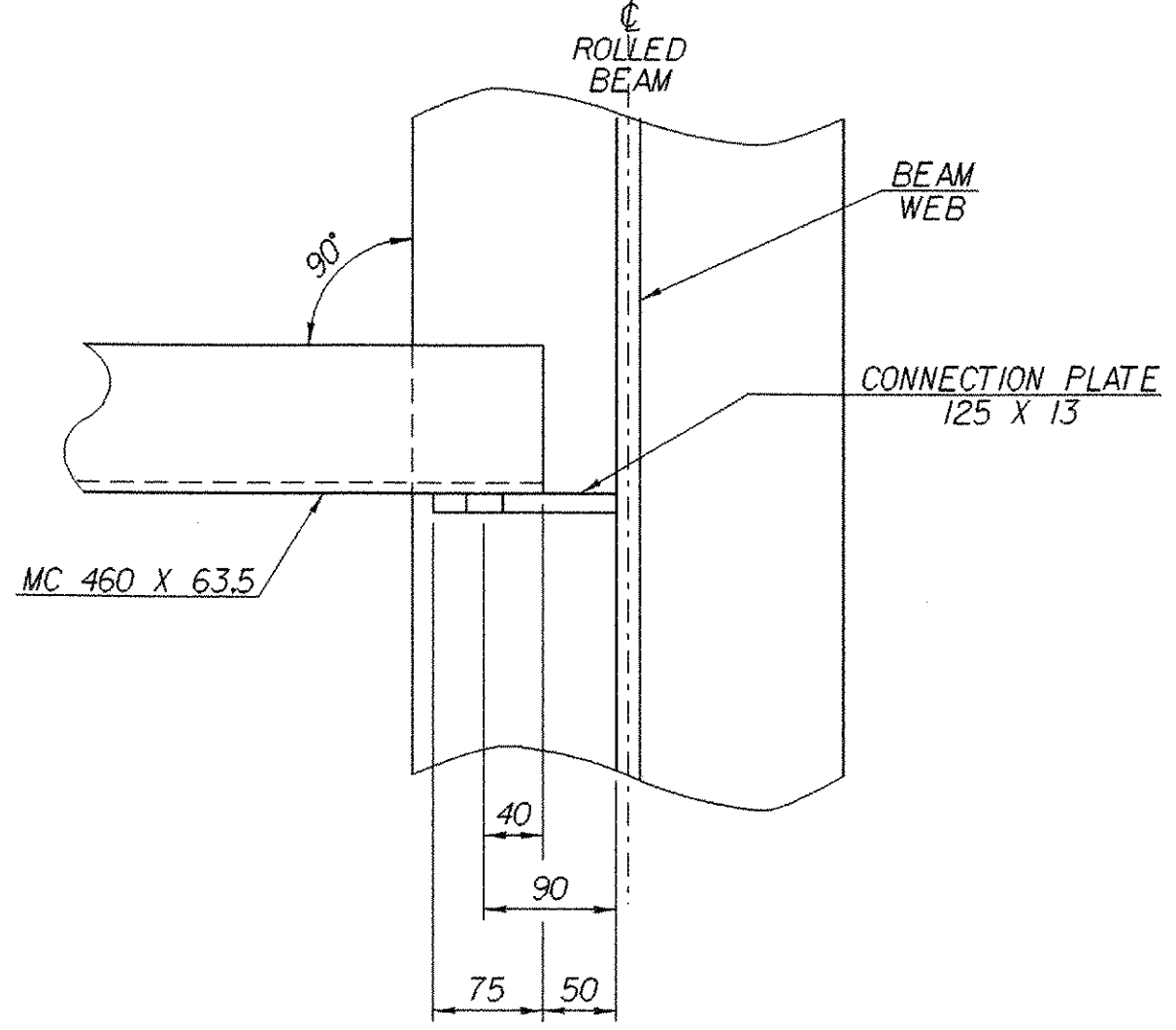


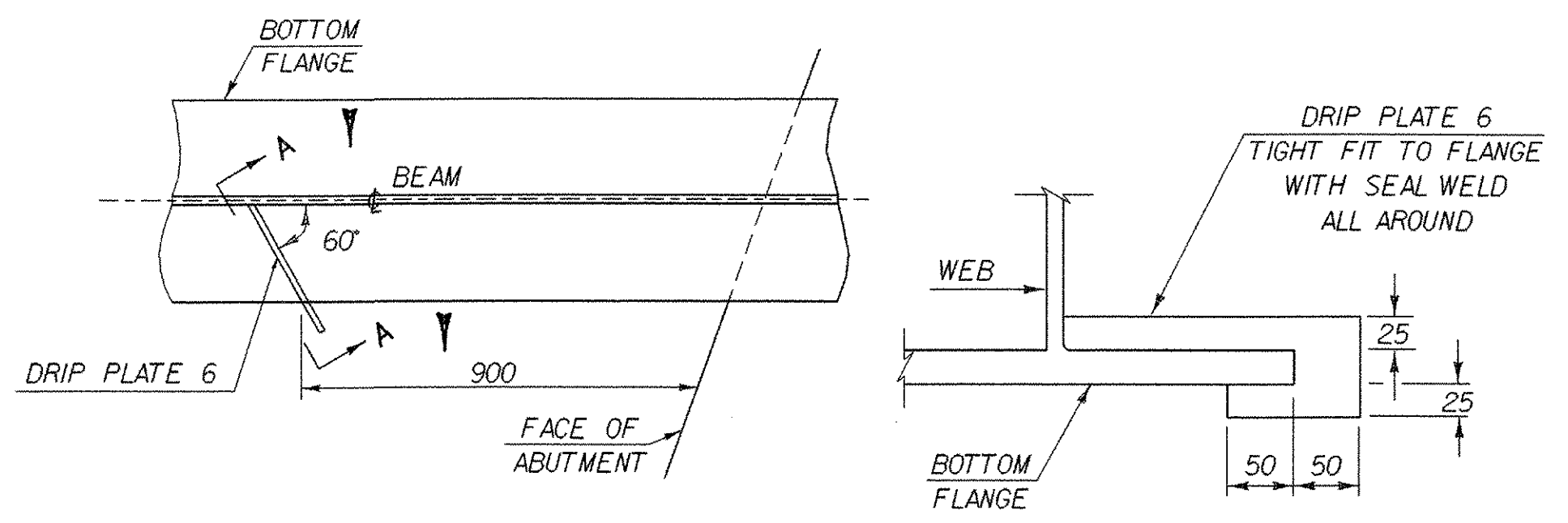
NOTE: HI-STRENGTH BOLTS, NUTS AND WASHERS SHALL CONFORM TO AASHTO DESIGNATION M164.

INTERMEDIATE DIAPHRAGM



SECTION B-B

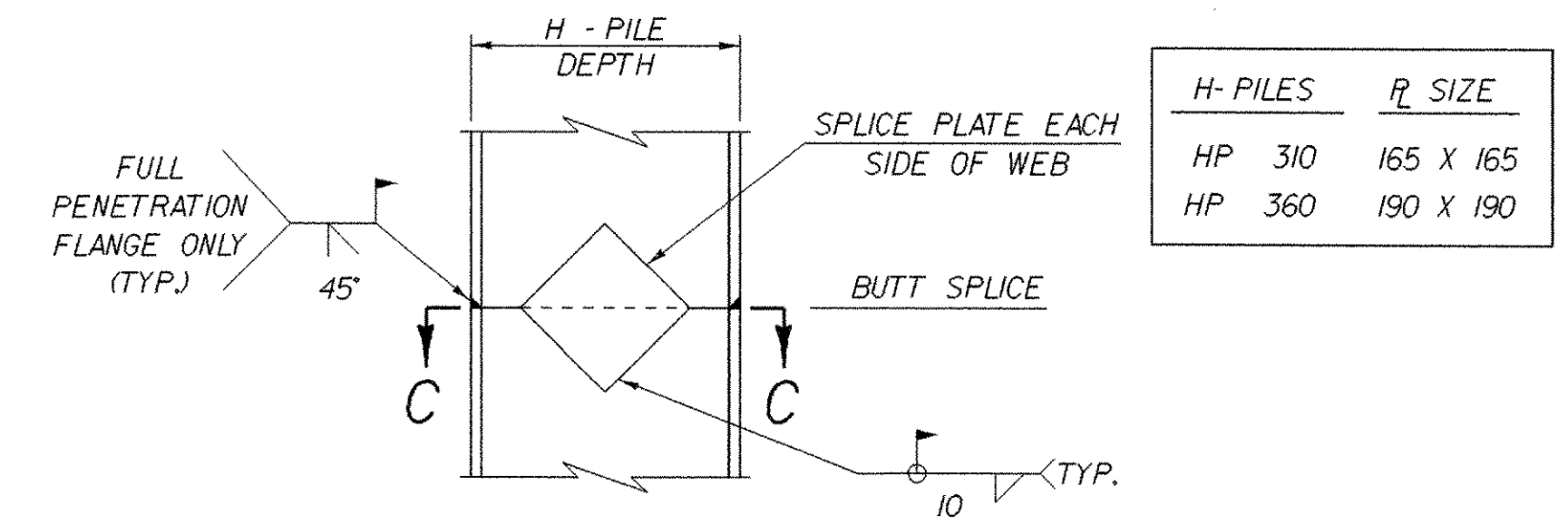
ALL CONNECTIONS SHALL BE MADE USING 22 DIAMETER AASHTO M164 BOLTS. ALL HOLES IN THE DIAPHRAGMS SHALL BE 24 DIAMETER. ALL HOLES IN THE CONNECTION PLATES SHALL BE 25 DIAMETER.



PLAN DRIP PLATE

SECTION A - A

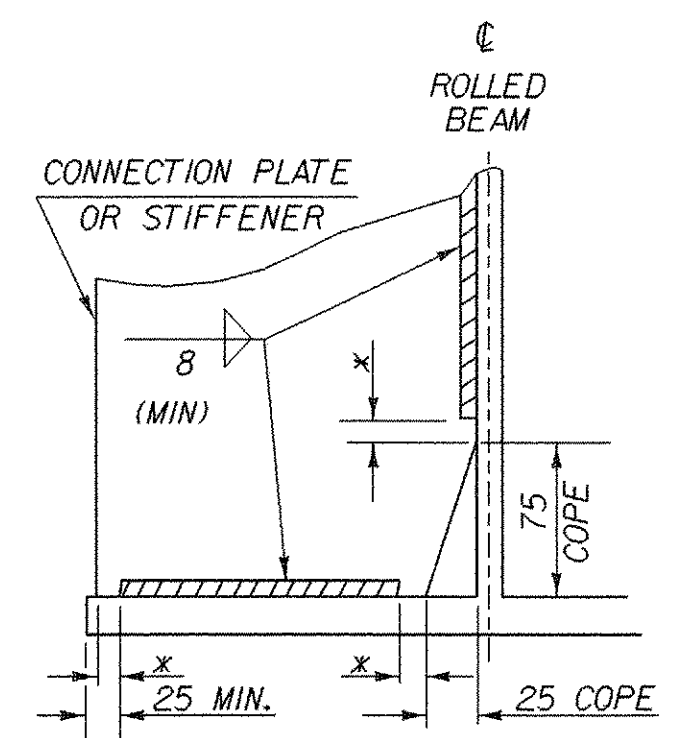
NOTE: DRIP PLATES SHALL BE PLACED ON OUTSIDE EDGE OF FASCIA GIRDERS ON THE HIGH SIDE OF ALL PIERS AND ABUTMENTS OR AS INDICATED ON PROJECT PLANS.



DETAIL OF PILE SPLICE

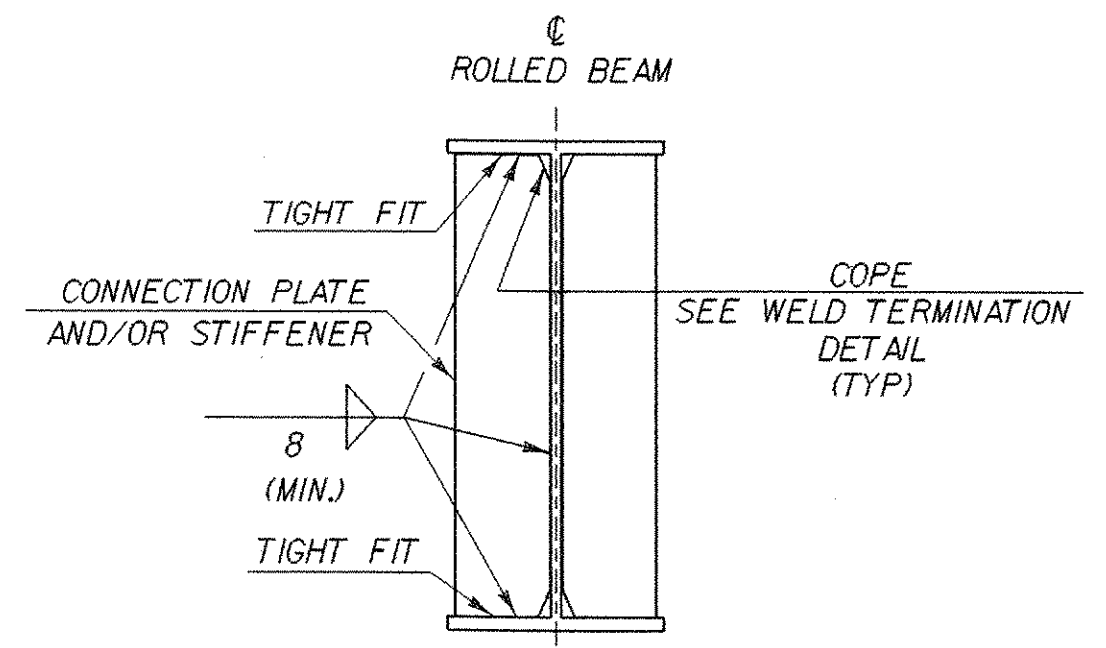
SEE GENERAL NOTE #43 ON PAGE # 31.

H-PILES	P _r SIZE
HP 310	165 X 165
HP 360	190 X 190

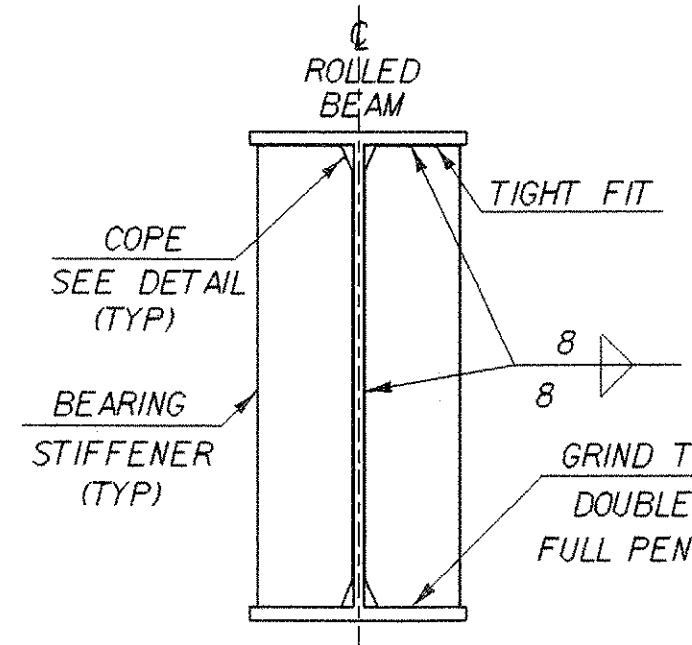


*NO WELD FOR 6 MIN. 13 MAX. (EXCEPT MUST MAINTAIN 25 MINIMUM FROM EDGE OF FLANGE)

WELD TERMINATION AND COPING DETAILS FOR STEEL MEMBERS



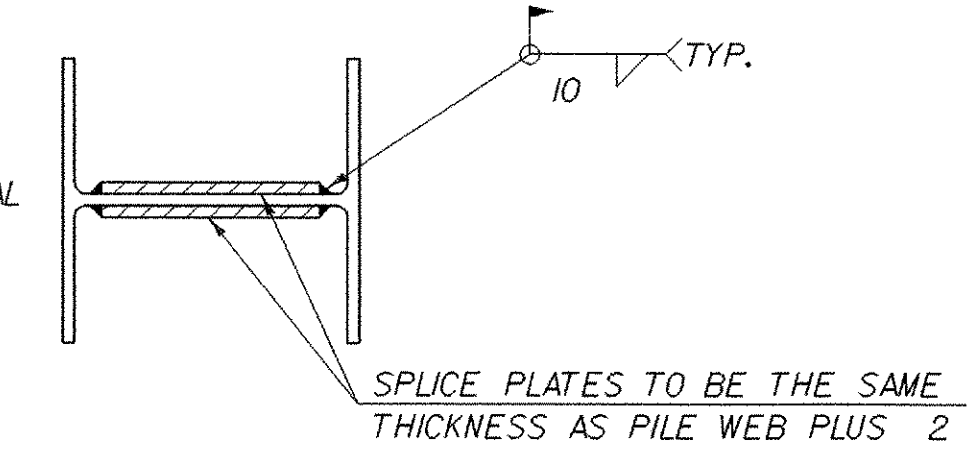
INTERMEDIATE CONNECTION PLATES FOR ROLLED BEAMS



ABUTMENT BEARING STIFFENERS FOR ROLLED BEAMS

PREFABRICATED PILE SPLICE MAY BE USED WITH THE APPROVAL OF THE ENGINEER.

GRIND TO BEAR WITH DOUBLE 8 FILLET OR FULL PENETRATION WELD



SECTION C-C

STRUCTURAL STEEL DETAILS

PROJECT NAME: DUXBURY	PLOT DATE: 20-OCT-2005
PROJECT NUMBER: STP 013-4(24)	DRAWN BY: R. VANHAMBURG
FILE NAME: /str5/86e059/se059sup.dgn	CHECKED BY: T. SUMNER
PROJECT LEADER: C. KELLER	SHEET 32 OF 62
DESIGNED BY: W. FARLEY	
se059ssd.j	