



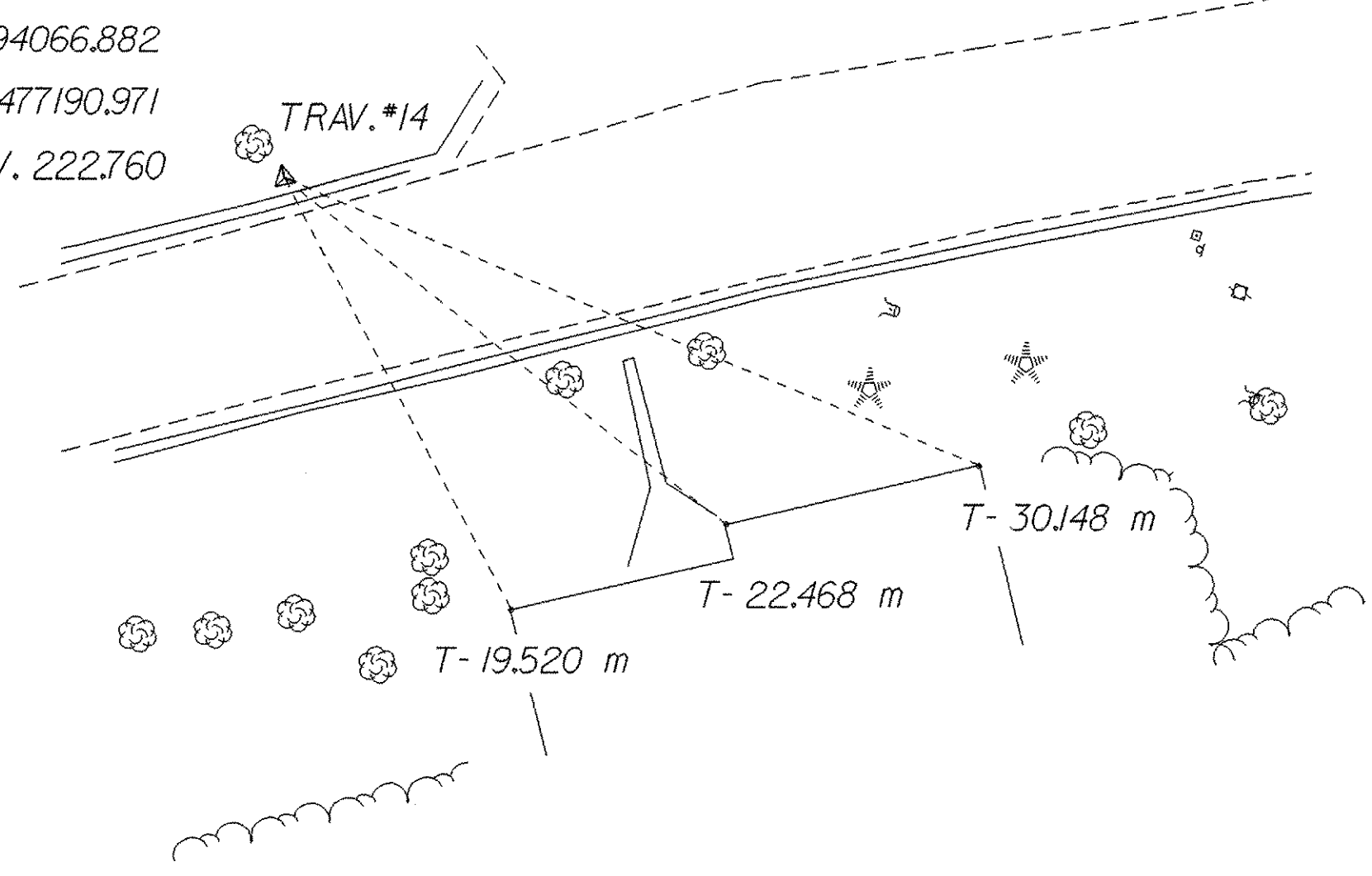
"GOODWIN"
 N= 192066.061
 E= 477279.311
 ELEV. 195.540

"GOODWIN AZ"
 N= 193208.537
 E= 477990.216
 ELEV. 199.700

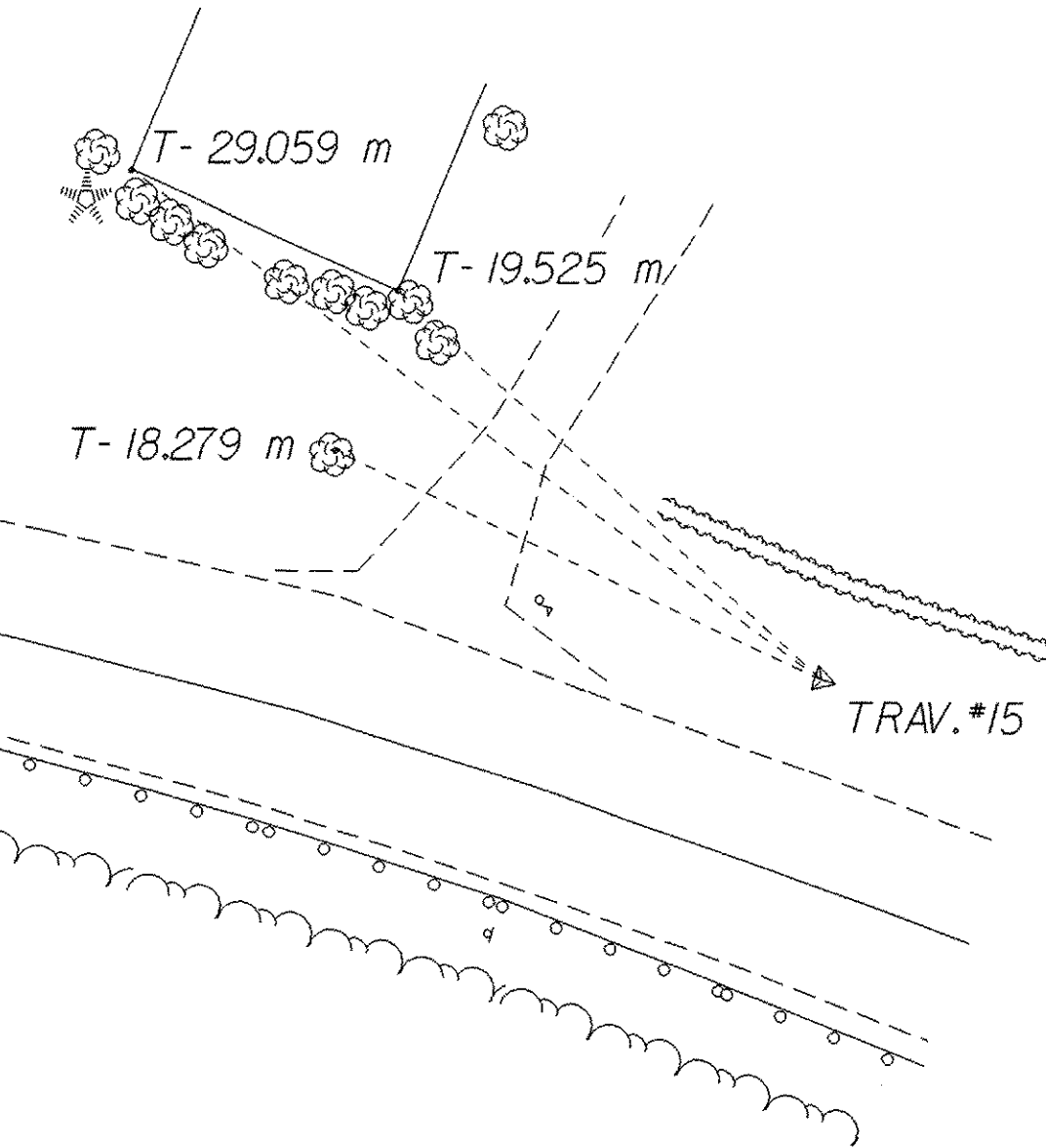
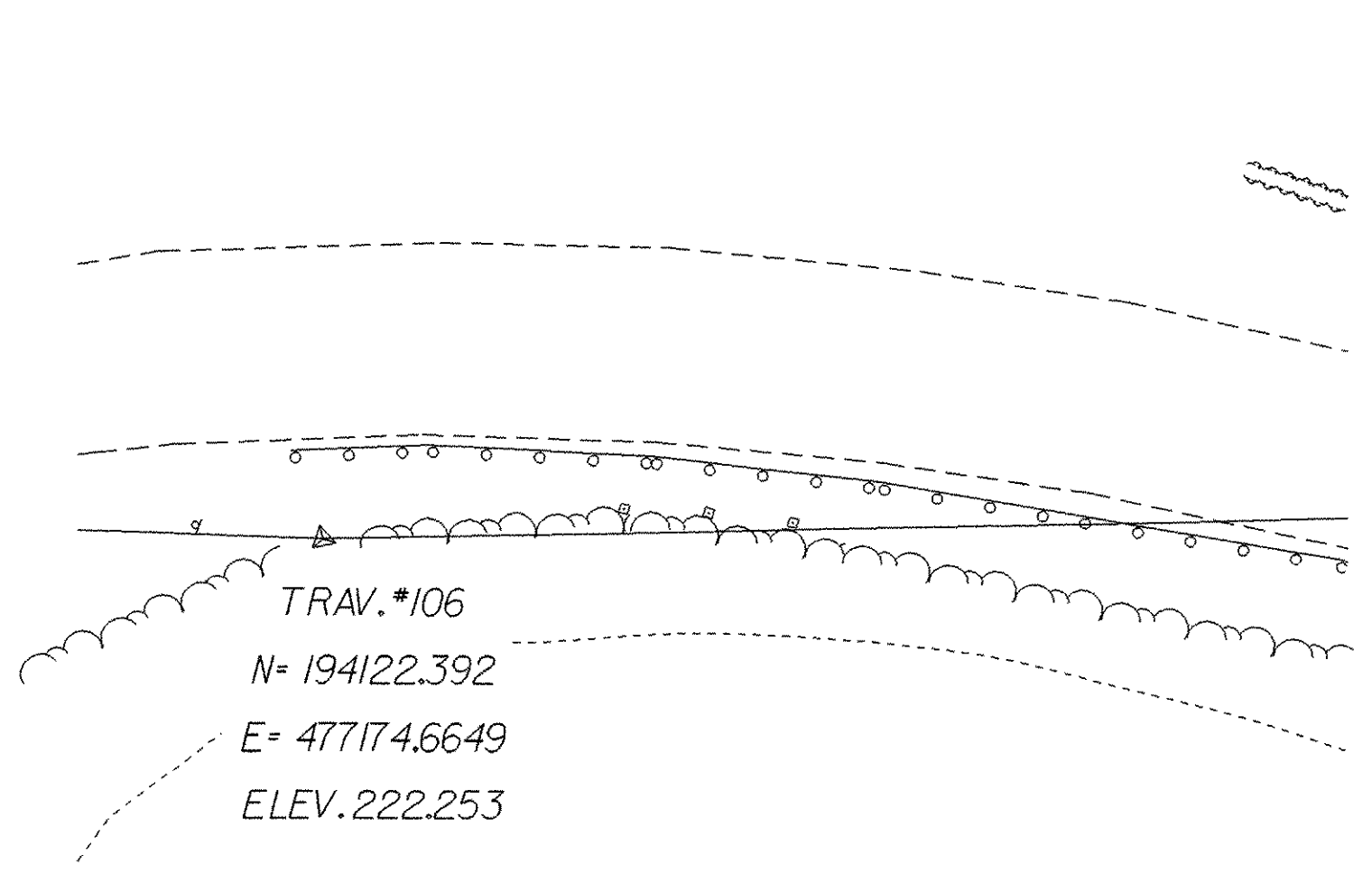
"MINI GOLF"
 N= 198219.397
 E= 477480.715
 ELEV. 320.050

CONTROL POINTS ARE FOUND IN SURVEY
 FOR DUXBURY STP F 013-4(11)S

N= 194066.882
 E= 477190.971
 ELEV. 222.760



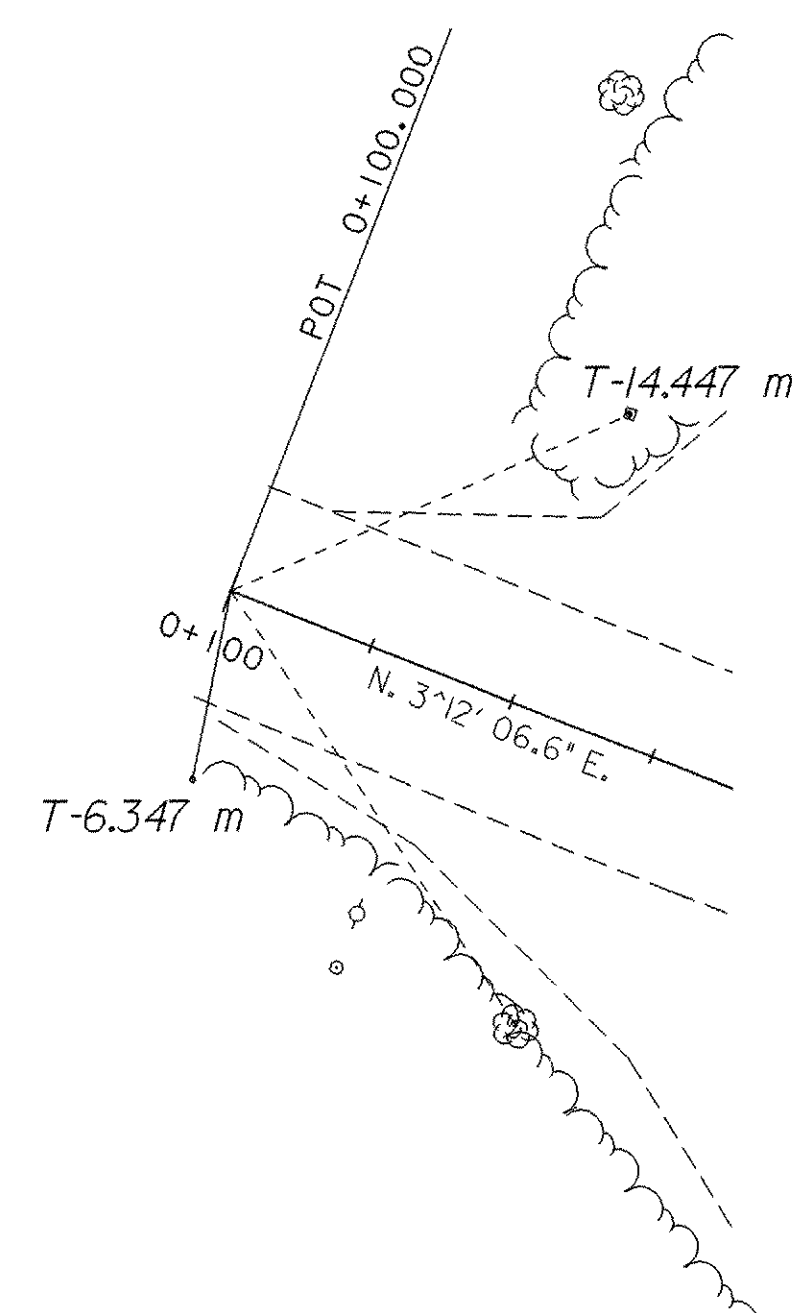
TRAV.*106
 N= 194122.392
 E= 477174.6649
 ELEV. 222.253



N= 194184.908
 E= 477152.585
 ELEV. 224.518

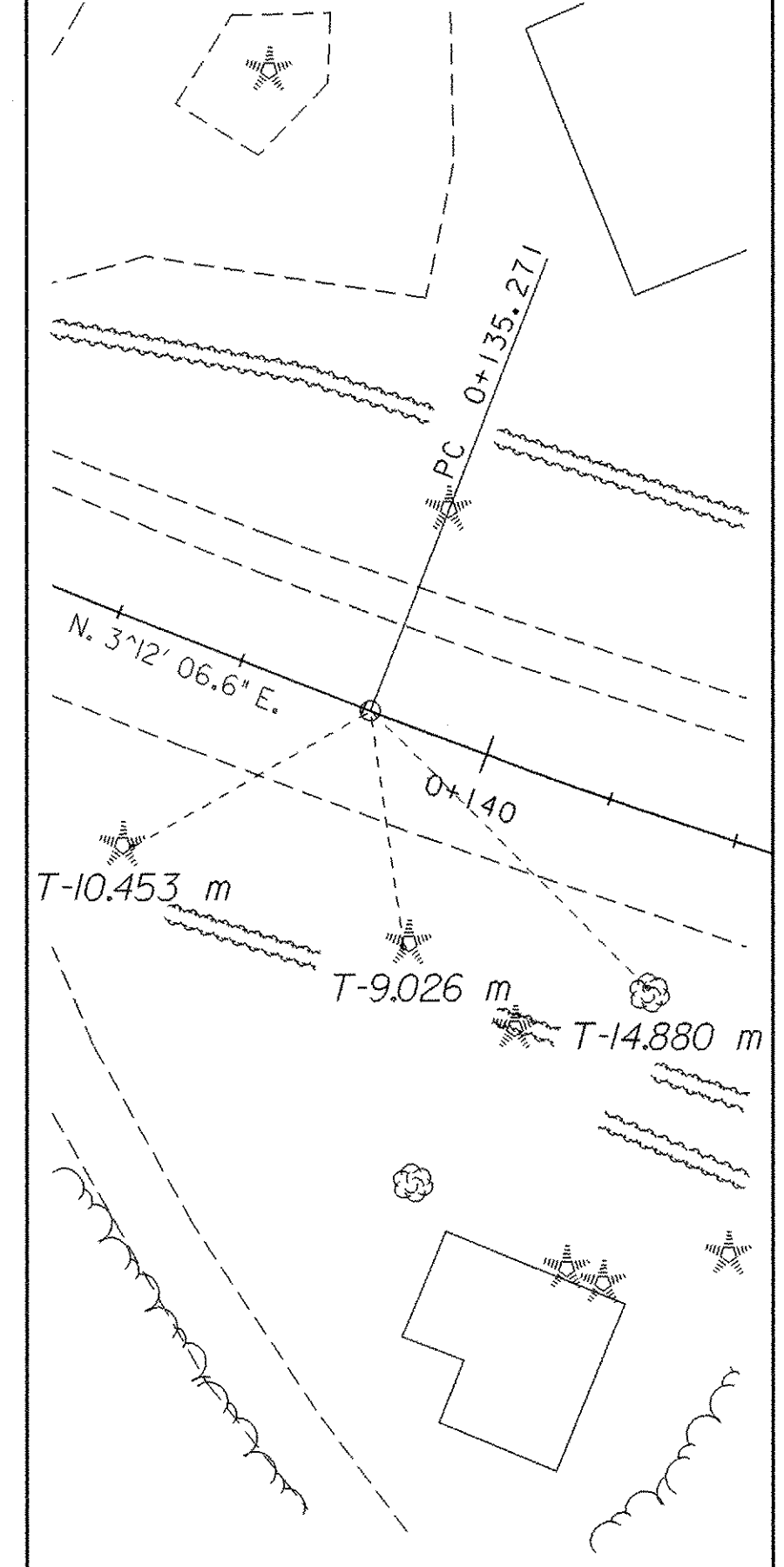
P.O.T. 0+100.00

N= 194192.970
 E= 477159.670



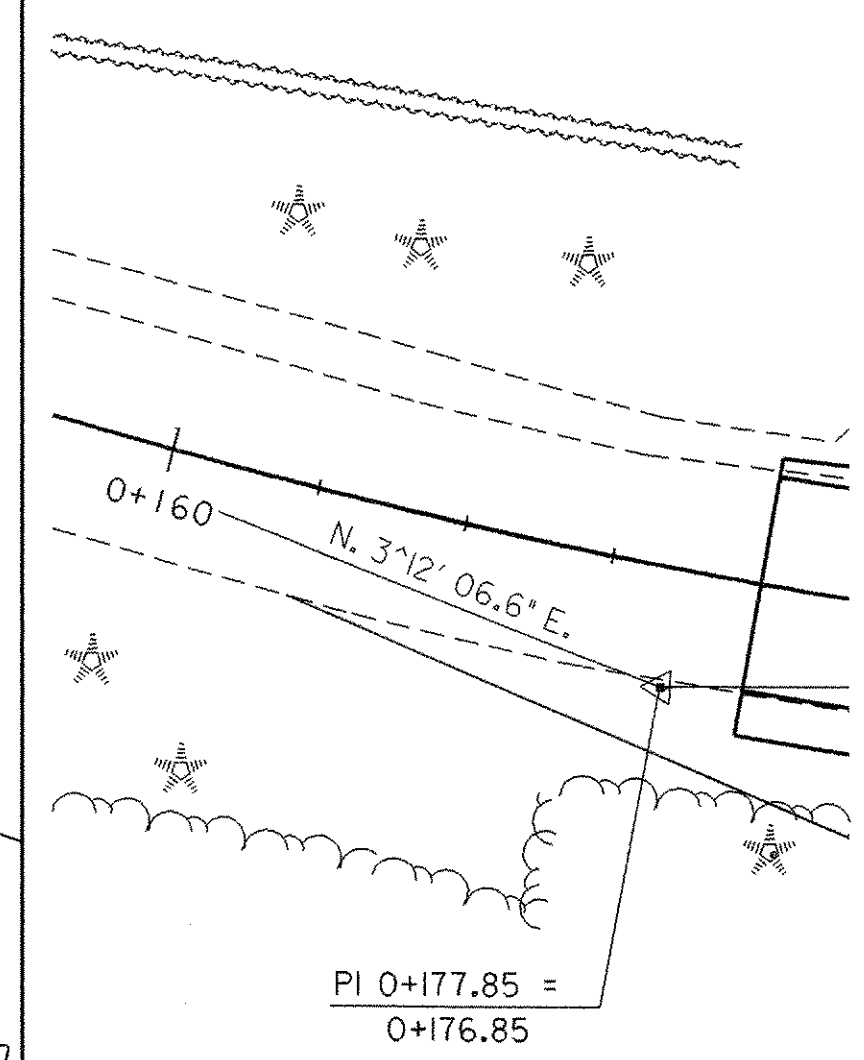
PC 0+135.271

N= 194228.186
 E= 477161.6400



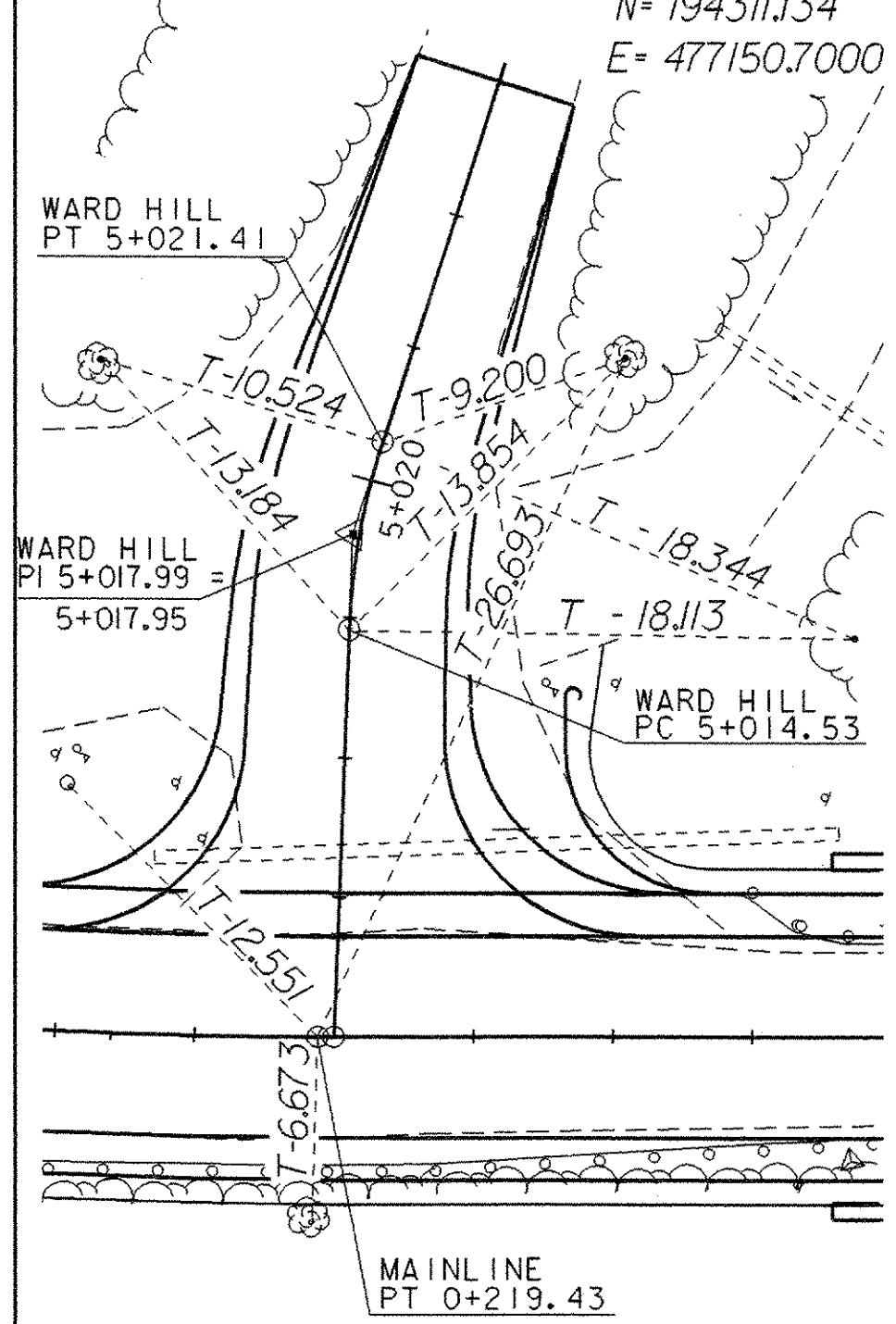
**PI 0+177.85bk =
 0+176.85ahd**

N= 194270.6950
 E= 477164.0180



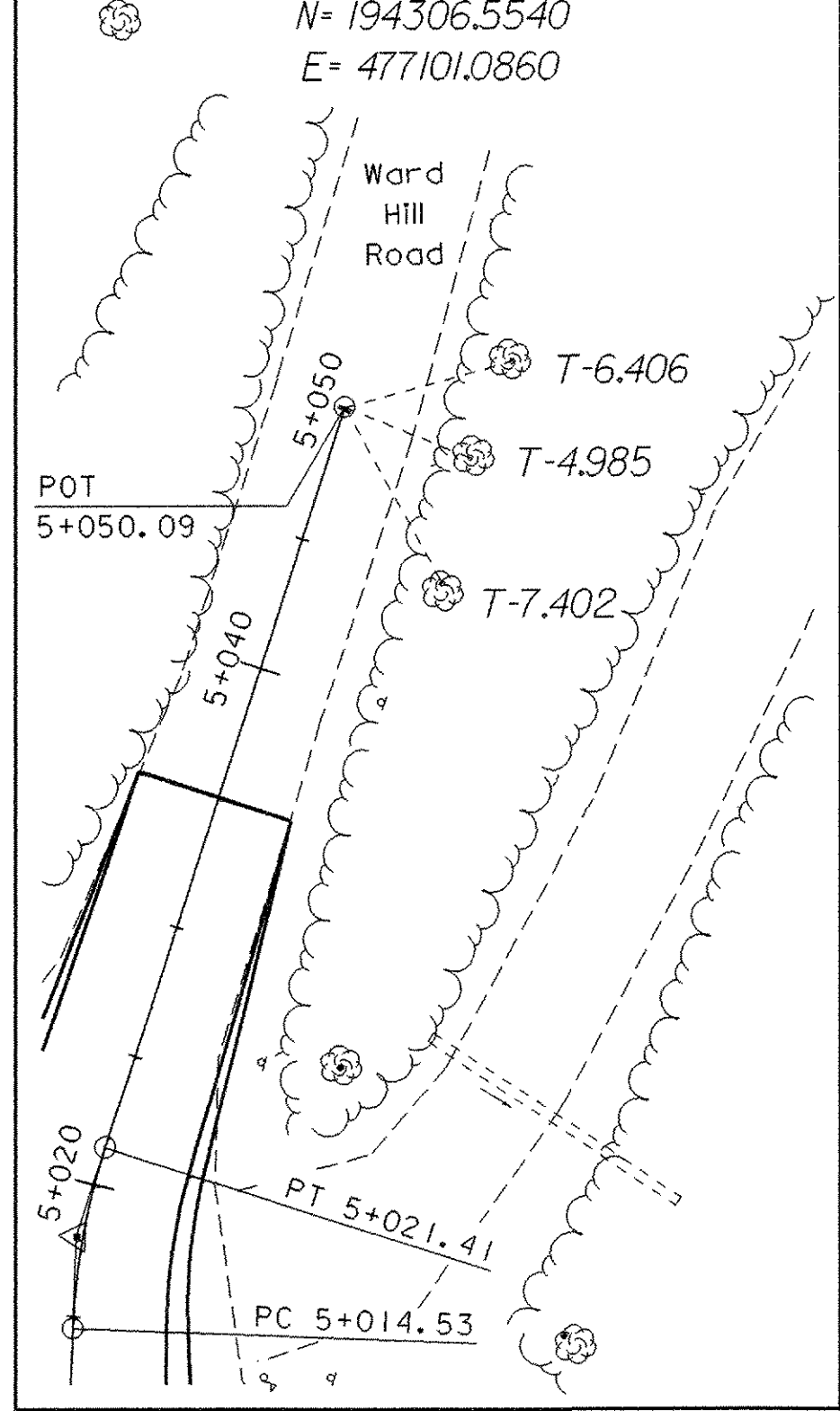
PT 0+219.43

N= 194311.134
 E= 477150.7000



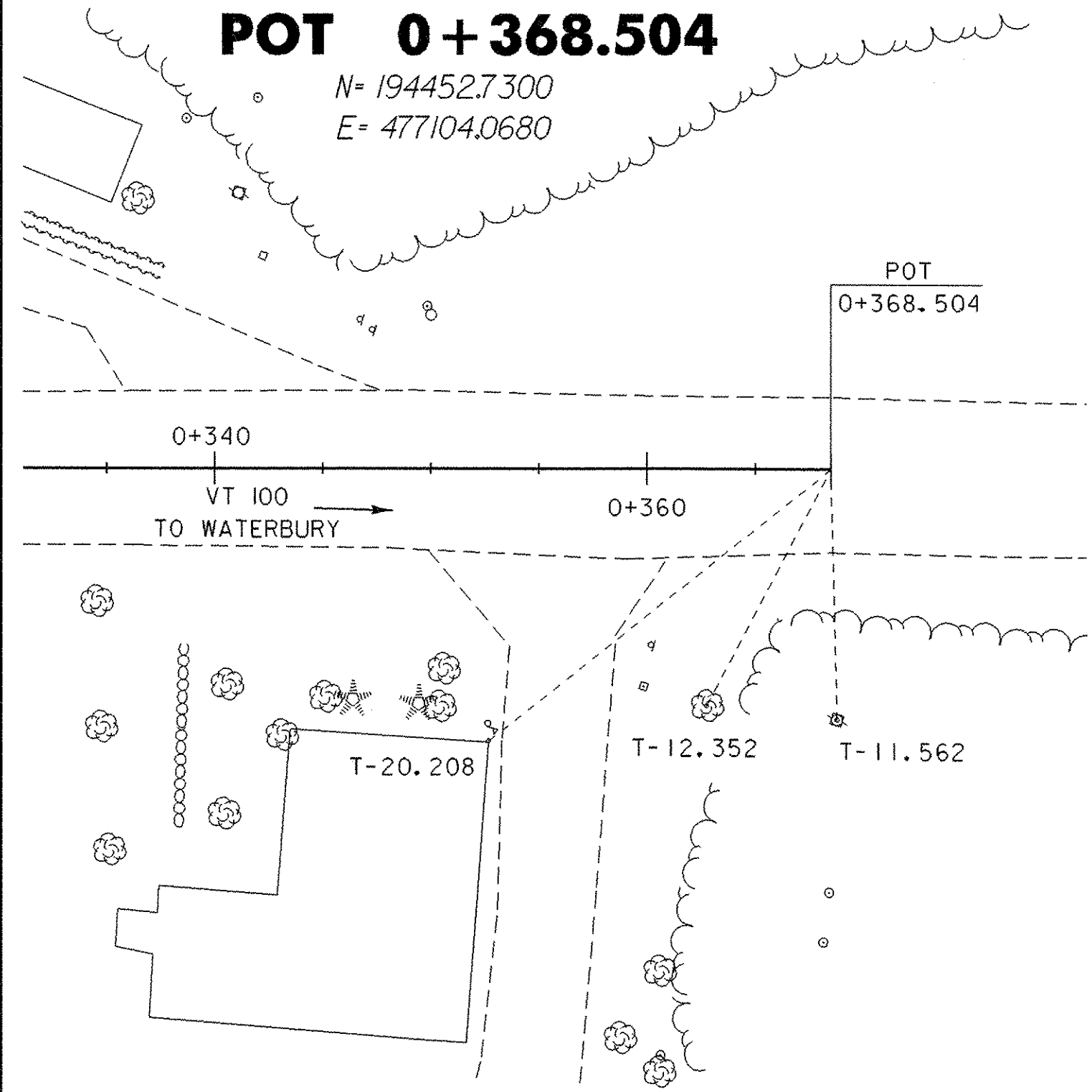
**WARD HILL ROAD
 POT 5+050.09**

N= 194306.5540
 E= 477101.0860



POT 0+368.504

N= 194452.7300
 E= 477104.0680



DATUM
 VERTICAL NAVD88
 HORIZONTAL NAD 83 (1992)

NOT TO SCALE

TIE SHEET
 PROJECT NAME: DUXBURY
 PROJECT NUMBER: STP 013-4(24)
 FILE NAME: /str5/86e059/se059tie.dgn
 PROJECT LEADER: C. KELLER
 DESIGNED BY: B. NYQUIST
 se059tie.i
 PLOT DATE: 20-OCT-2005
 DRAWN BY: R. H. PELLETT
 CHECKED BY: B. NYQUIST
 SHEET 11 OF 62