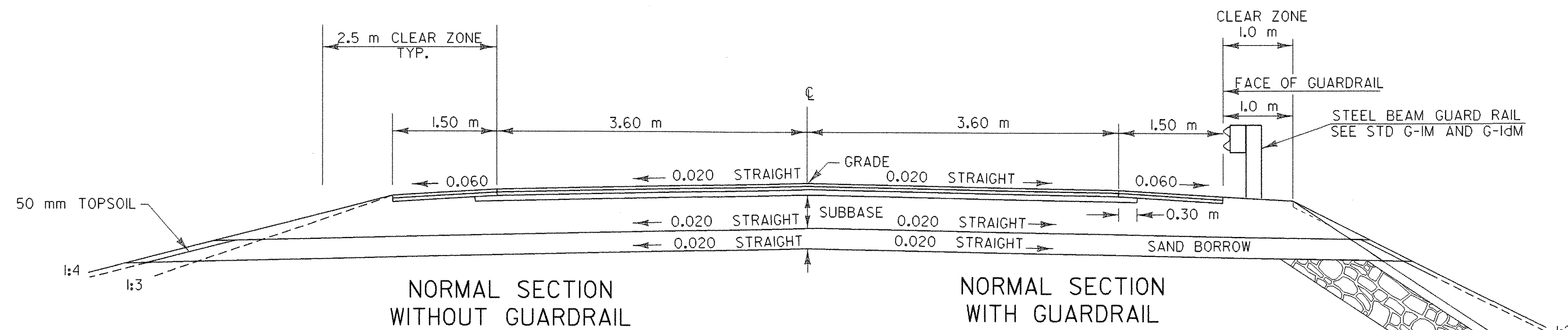


TYPICAL SECTIONS

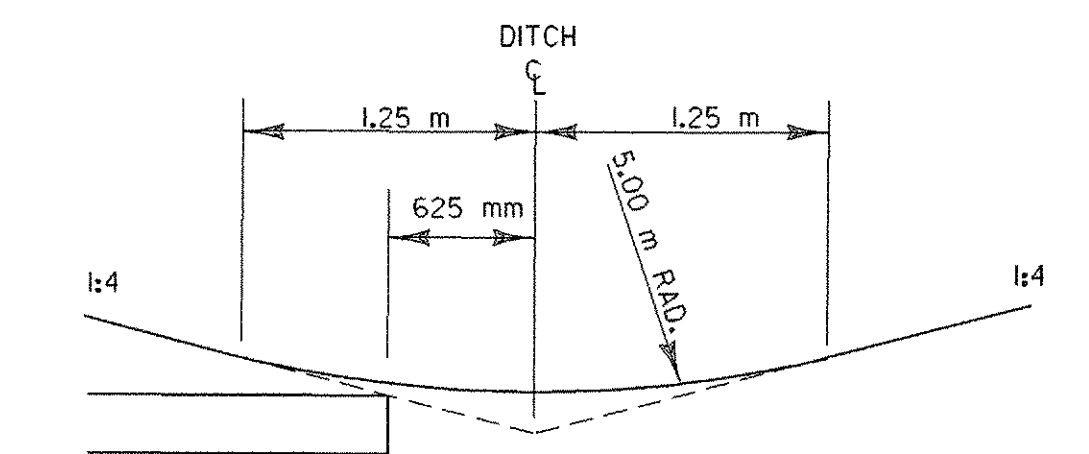
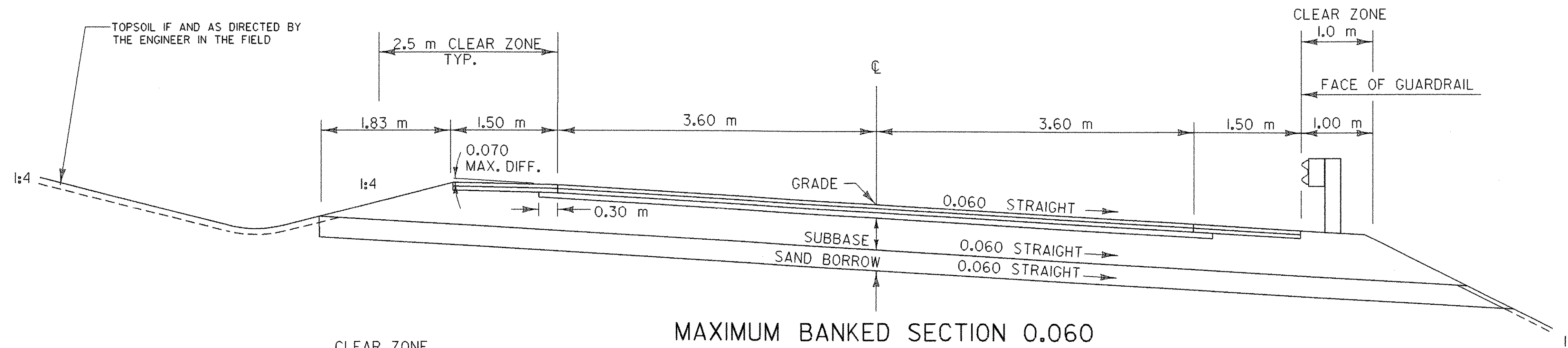
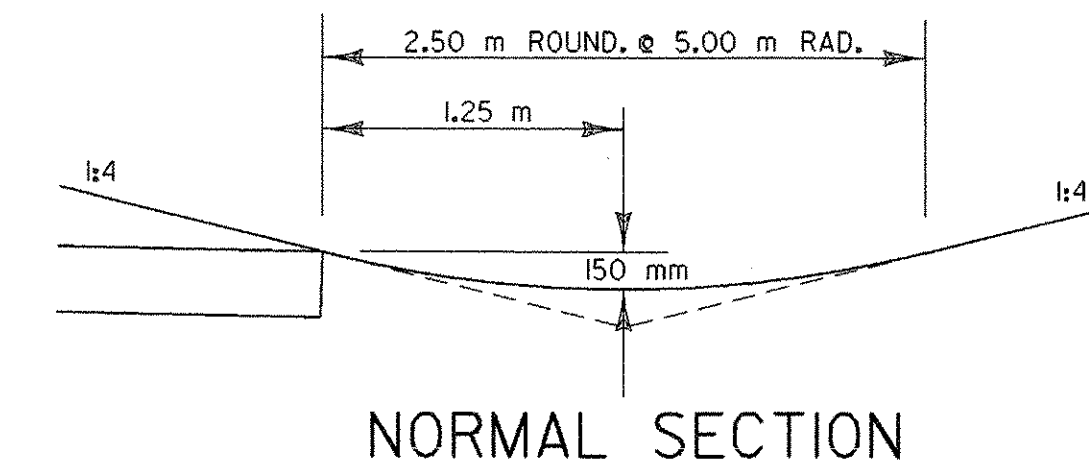
- 45 mm BITUMINOUS CONCRETE PAVEMENT TYPE III
- 70 mm BITUMINOUS CONCRETE PAVEMENT TYPE II
- 90 mm BITUMINOUS CONCRETE PAVEMENT TYPE I
- 530 mm SUBBASE OF DENSE GRADED CRUSHED STONE
- 380 mm SAND BORROW

MATERIAL ITEM	TOLERANCE
PAVEMENT	±5 mm TOTAL THICKNESS
SUBBASE	±30 mm
SAND BORROW	±30 mm

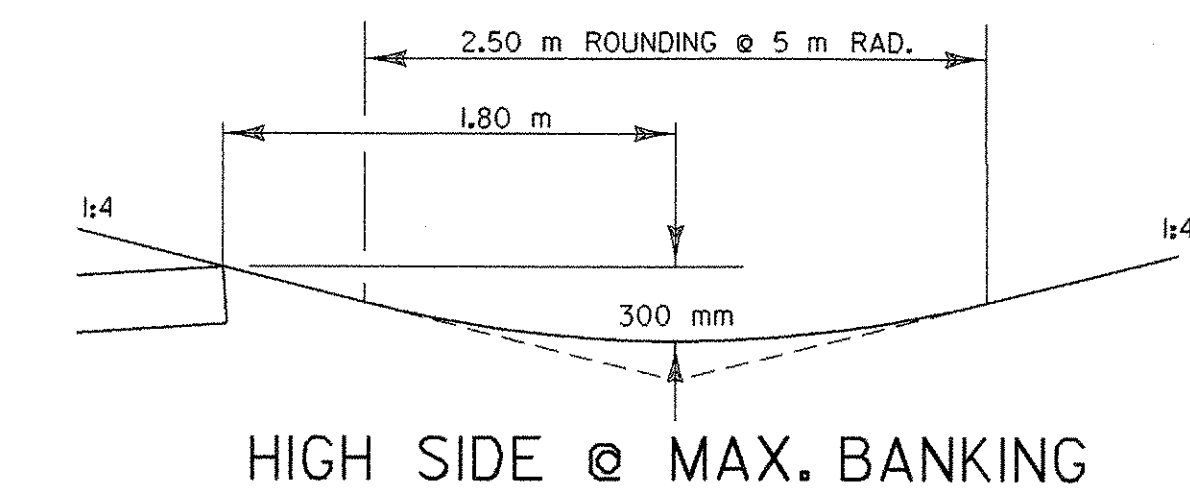
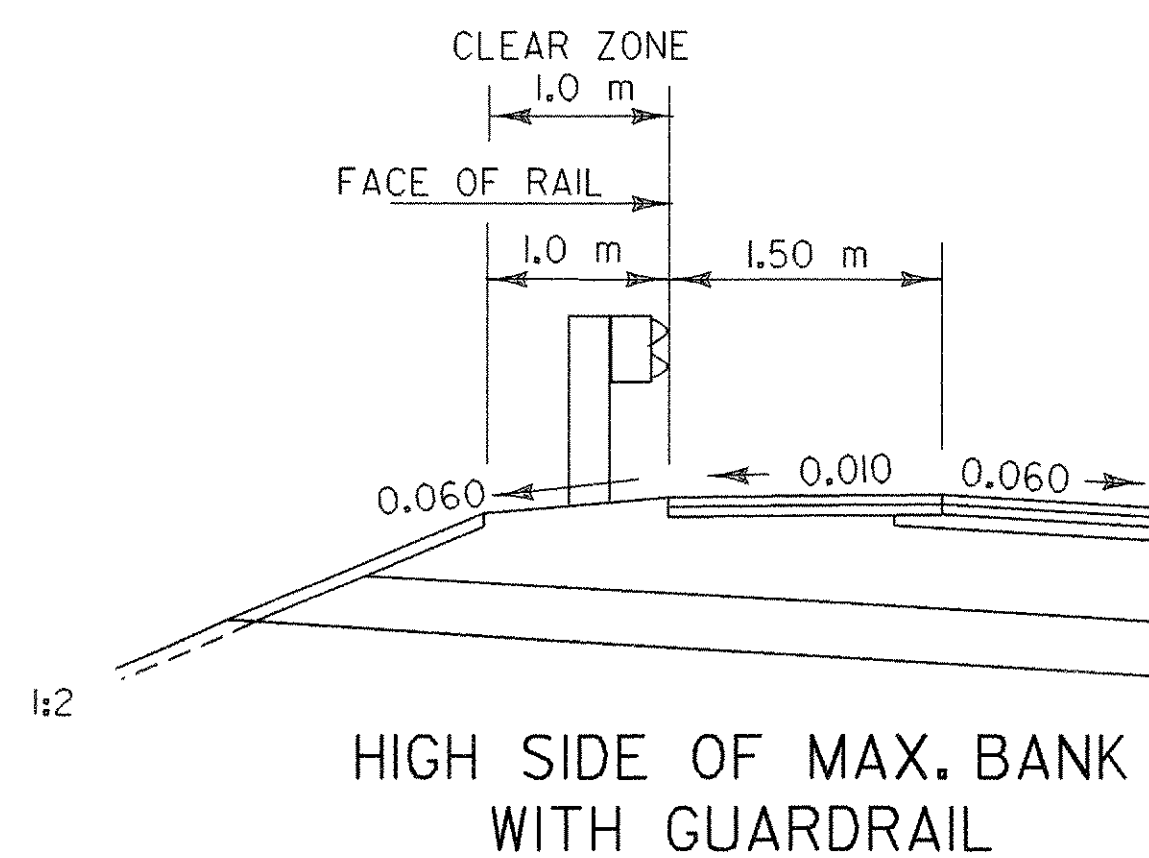
SHOULDERS: 115 mm BITUMINOUS CONCRETE PAVEMENT
(45mm TYPE III OVER 70mm TYPE II)



* Note: Any slopes steeper than 1:2 shall be blanketed with 600 mm stone fill, type II. The stone slope shall be covered with 300 mm of suitable excavated earth, seeded, fertilized, and mulched as directed by the resident engineer.



DETAILS OF DITCH AND BACKSLOPE FOR LOW SIDE OF BANK \geq 0.042



ROADWAY TYPICAL SHEET

PROJECT NAME: DUXBURY	PLOT DATE: 20-OCT-2005
PROJECT NUMBER: STP 013-4(24)	DRAWN BY: Graw
FILE NAME: /str5/86e059/se059typ.dgn	CHECKED BY: T. SUMNER
PROJECT LEADER: C. KELLER	SHEET 3 OF 62
DESIGNED BY: B. NYQUIST	
se059rtyJ	

NOT TO SCALE