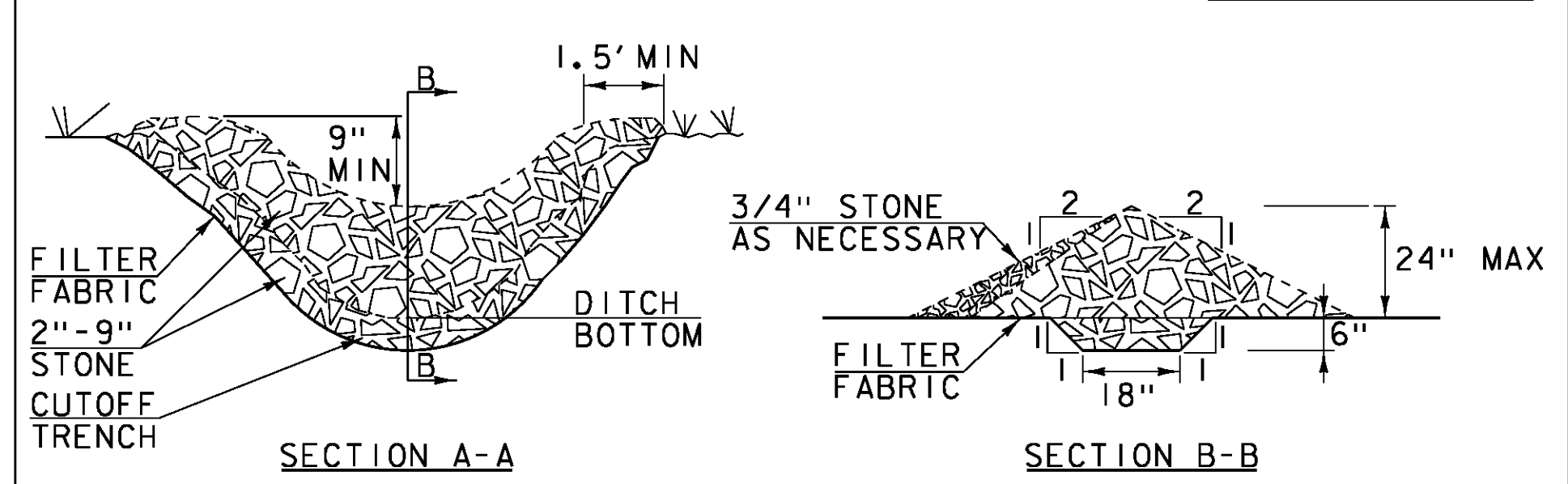
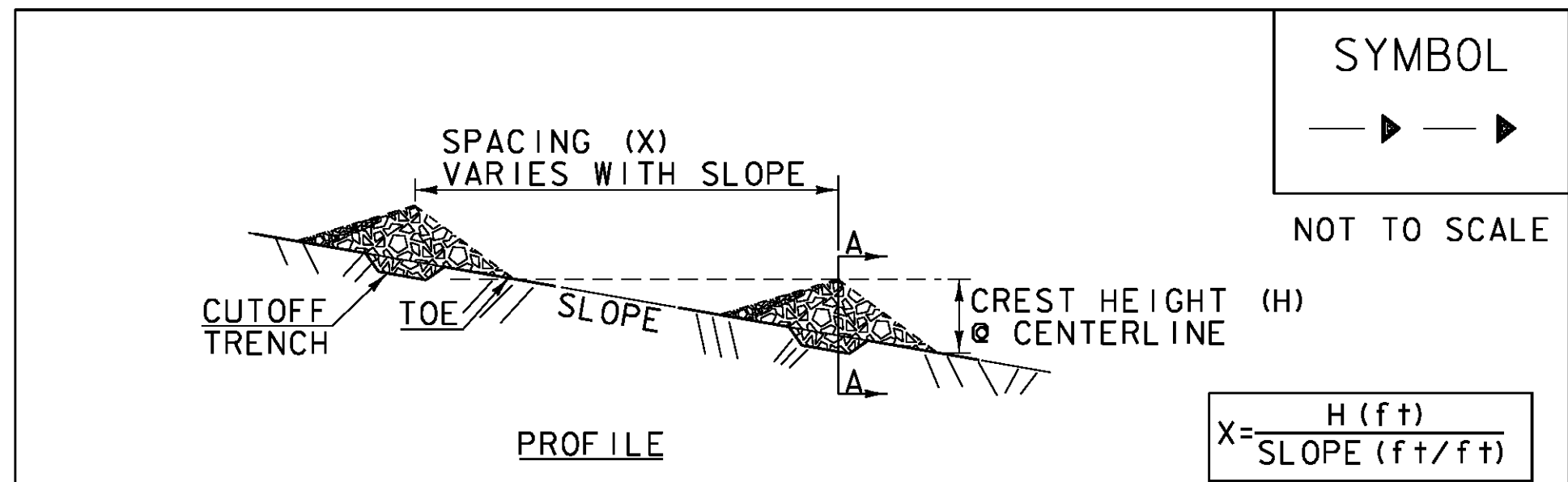


- CONSTRUCTION SPECIFICATIONS**
1. FILTER CURTAIN SHALL NOT BE PLACED ACROSS A FLOWING WATERWAY, OR IN A WATERWAY WITH STREAM VELOCITIES GREATER THAN 1.5 FEET/SECOND.
  2. MAXIMUM 100' LENGTH BETWEEN ANCHORS.
  3. LAST SECTION SHALL TERMINATE A MINIMUM OF 10' BEYOND LIMIT OF DISTURBANCE.
  4. THE WEIGHTED ANCHOR SYSTEM SHALL BE A TYPE WHICH ALLOWS THE CURTAIN TO CONFORM TO THE BOTTOM OF THE WATERWAY.
  5. THE CURTAIN SHALL BE REMOVED BY SLOWLY PULLING TOWARD THE SHORE MINIMIZING THE ESCAPE OF SEDIMENTS INTO WATERWAY.

**FILTER CURTAIN**

REVISIONS		
APRIL 1, 2008	WHF	
JANUARY 13, 2009	WHF	
SEPTEMBER 4, 2009	WHF	

THIS WORK SHALL BE PERFORMED IN ACCORDANCE WITH SECTION 649 FOR GEOTEXTILE FOR FILTER CURTAIN (PAY ITEM 649.6I).



**CONSTRUCTION SPECIFICATIONS**

1. STONE WILL BE PLACED ON A FILTER FABRIC FOUNDATION.
2. CHECK DAMS SHALL BE SPACED SO THAT THE ELEVATION OF THE CREST OF THE DOWNSTREAM DAM IS AT THE SAME ELEVATION AS THE TOE OF THE UPSTREAM DAM.
3. 3/4" FILTERING STONE MAY BE ADDED TO THE FACE OF THE CHECK DAM AS NECESSARY.
4. EXTEND THE STONE A MINIMUM OF 1.5' BEYOND THE DITCH BANKS TO PREVENT CUTTING AROUND THE DAM.
5. PROTECT CHANNEL DOWNSTREAM OF THE LOWEST CHECK DAM FROM SCOUR AND EROSION WITH STONE OR LINER AS APPROPRIATE.
6. ENSURE THAT CHANNEL APPURTENANCES SUCH AS CULVERT ENTRANCES BELOW CHECK DAMS ARE NOT SUBJECT TO DAMAGE OR BLOCKAGE FROM DISPLACED STONE.
7. MAXIMUM DRAINAGE AREA 2 ACRES.

ADAPTED FROM DETAILS PROVIDED BY: NEW YORK STATE DEC  
ORIGINALLY DEVELOPED BY USDA-NRCS  
VERMONT DEPARTMENT OF ENVIRONMENTAL CONSERVATION

**CHECK DAM**

NOTES:  
REFER TO "THE VERMONT STANDARDS & SPECIFICATIONS FOR EROSION PREVENTION & SEDIMENT CONTROL -2006- " FROM THE VT AGENCY OF NATURAL RESOURCES FOR ADDITIONAL GUIDANCE.

THIS WORK SHALL BE PERFORMED IN ACCORDANCE WITH SECTION 653 FOR TEMPORARY STONE CHECK DAM, TYPE I (PAY ITEM 653.25)

REVISIONS		
MARCH 21, 2008	WHF	
JANUARY 8, 2009	WHF	

**EPSC LAYOUT PLAN SYMBOLOGY LEGEND**

- PROJECT BOUNDARY FENCE**
- PDF — PDF PROJECT DEMARCATION FENCE
  - BF — BF BARRIER FENCE

- EPSC MEASURES**
- Filter Curtain
  - Silt Fence
  - Silt Fence Woven Wire
  - Check Dam
  - Disturbed Areas Requiring Re-vegetation
  - Erosion Matting

- ENVIRONMENTAL RESOURCES**
- Wetland Boundary
  - Riparian Buffer Zone
  - Wetland Buffer Zone
  - Soil Type Boundary
  - Threatened & Endangered Species
  - Hazardous Waste Area
  - Agricultural Land
  - Fish & Wildlife Habitat
  - Flood Plain
  - Ordinary High Water (OHW)
  - Storm Water
  - USDA Forest Service Lands
  - Wildlife Habitat Suit/Conn

- ARCHEOLOGICAL & HISTORIC**
- Archeological Boundary
  - Historic District Boundary
  - Historic Area
  - Historic Structure

- UTILITY SYMBOLOGY**
- AER E&T — AREAL ELECTRIC & TELEPHONE
  - E — AREAL ELECTRIC
  - UE — UNDERGROUND ELECTRIC
  - UT — UNDERGROUND TELEPHONE
  - UC — UNDER GROUND TV
  - G — GAS LINE
  - W — WATER LINE

- CONSTRUCTION FEATURES**
- Toe of Slope Cut or Fill
  - Stone Fill, Type III
  - Stone Fill, Type II
  - Stone Fill, Type I

PROJECT NAME: ROYALTON  
PROJECT NUMBER: BRS 0147 (13)  
FILE NAME: s86e055ero\_det.dgn  
PROJECT LEADER: C. CARLSON  
DESIGNED BY: D. PETERSON  
EPSC DETAILS (1)  
PLOT DATE: 08-OCT-2013  
DRAWN BY: D. PETERSON  
CHECKED BY: C. CARLSON  
SHEET 175 OF 186