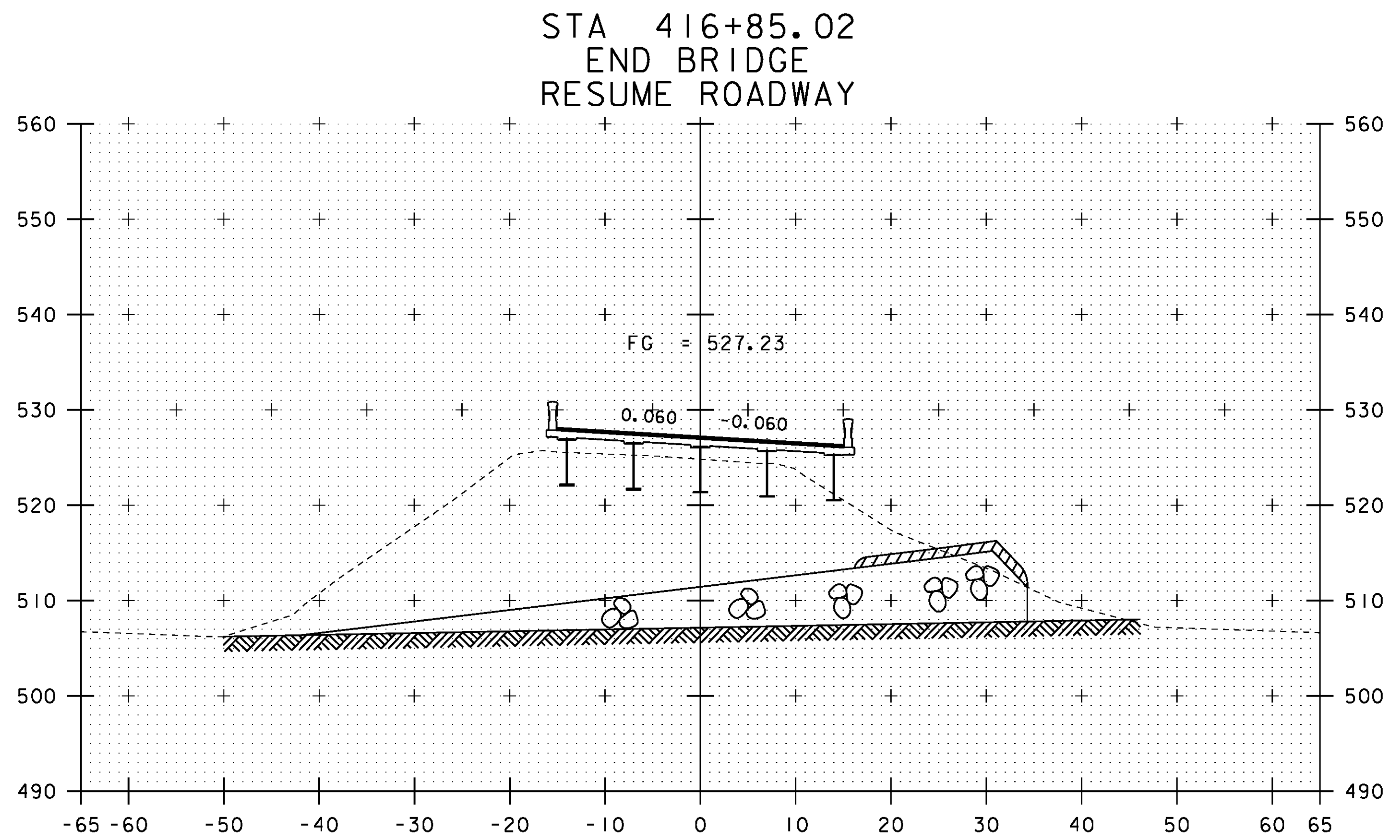
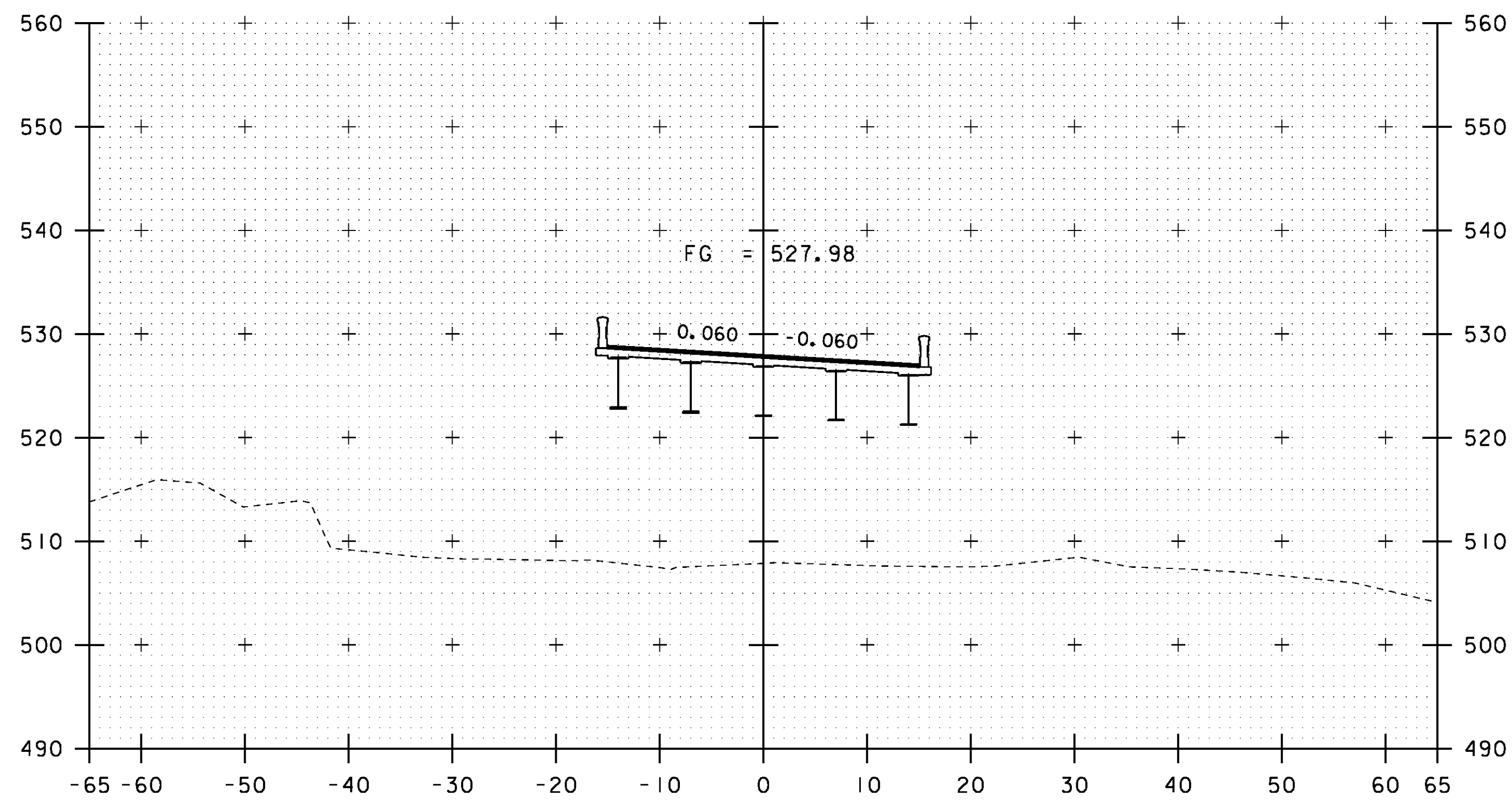


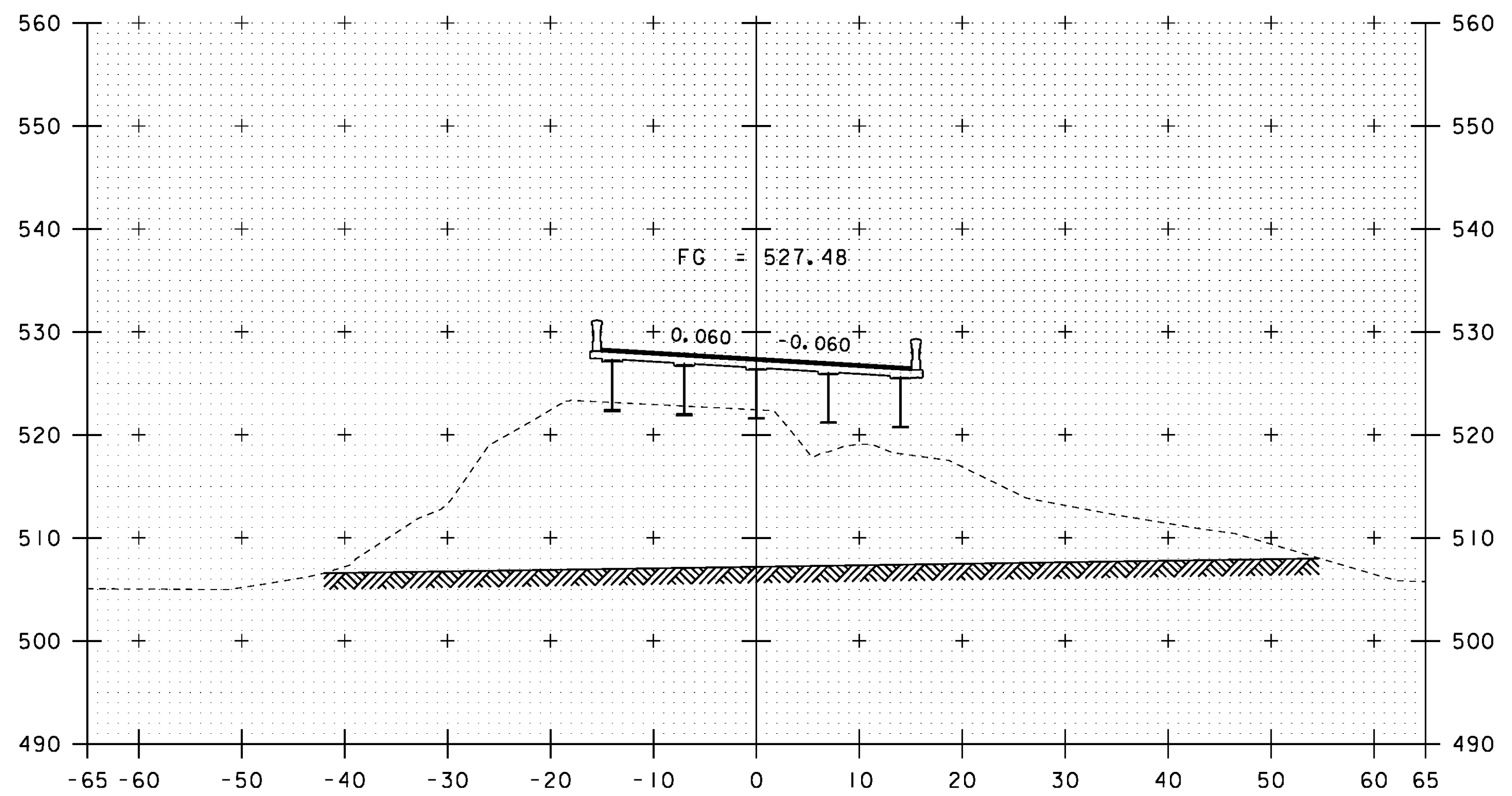
416+25



416+75



416+00



416+50



STA. 416+00 TO STA. 416+75

PROJECT NAME:	ROYALTON	FILE NAME:	\BR_28\s86e055xsl_28.dgn	PLOT DATE:	08-OCT-2013
PROJECT NUMBER:	BRS 0147 (13)	PROJECT LEADER:	C. CARLSON	DRAWN BY:	STR3
		DESIGNED BY:	D. PETERSON	CHECKED BY:	C. CARLSON
		BRIDGE 28 VT 14 CROSS SECTIONS (5)		SHEET	141 OF 186