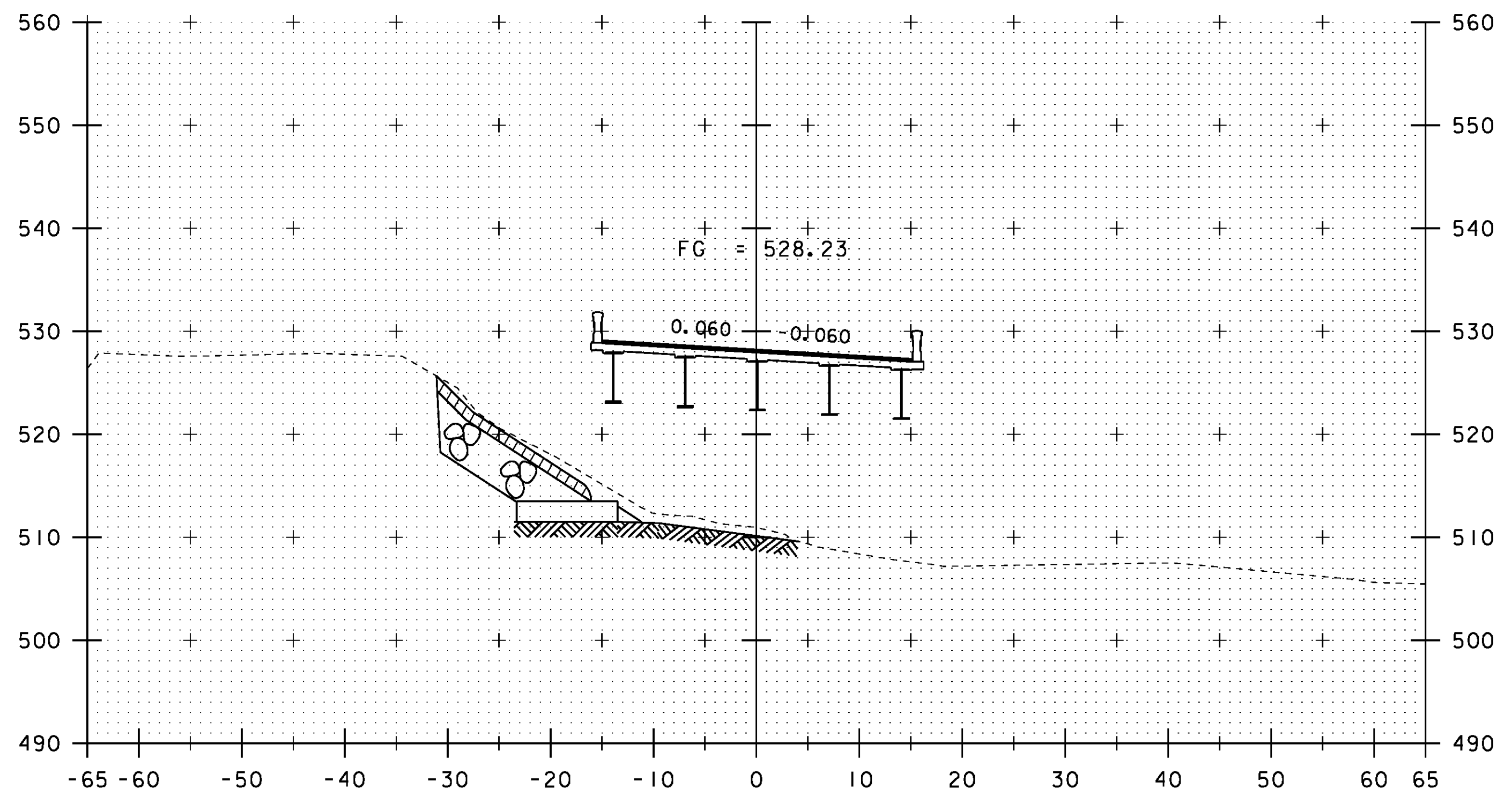
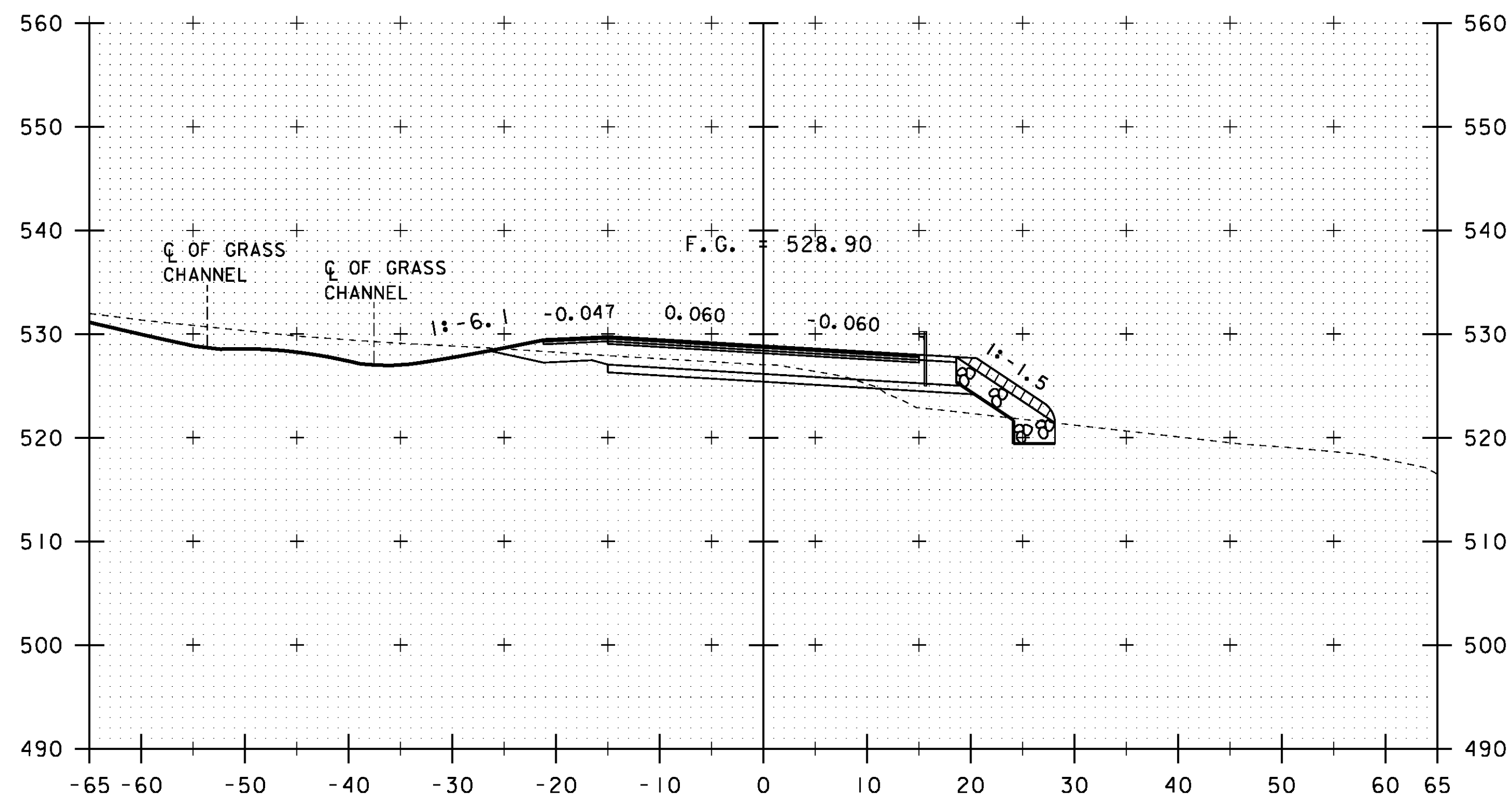


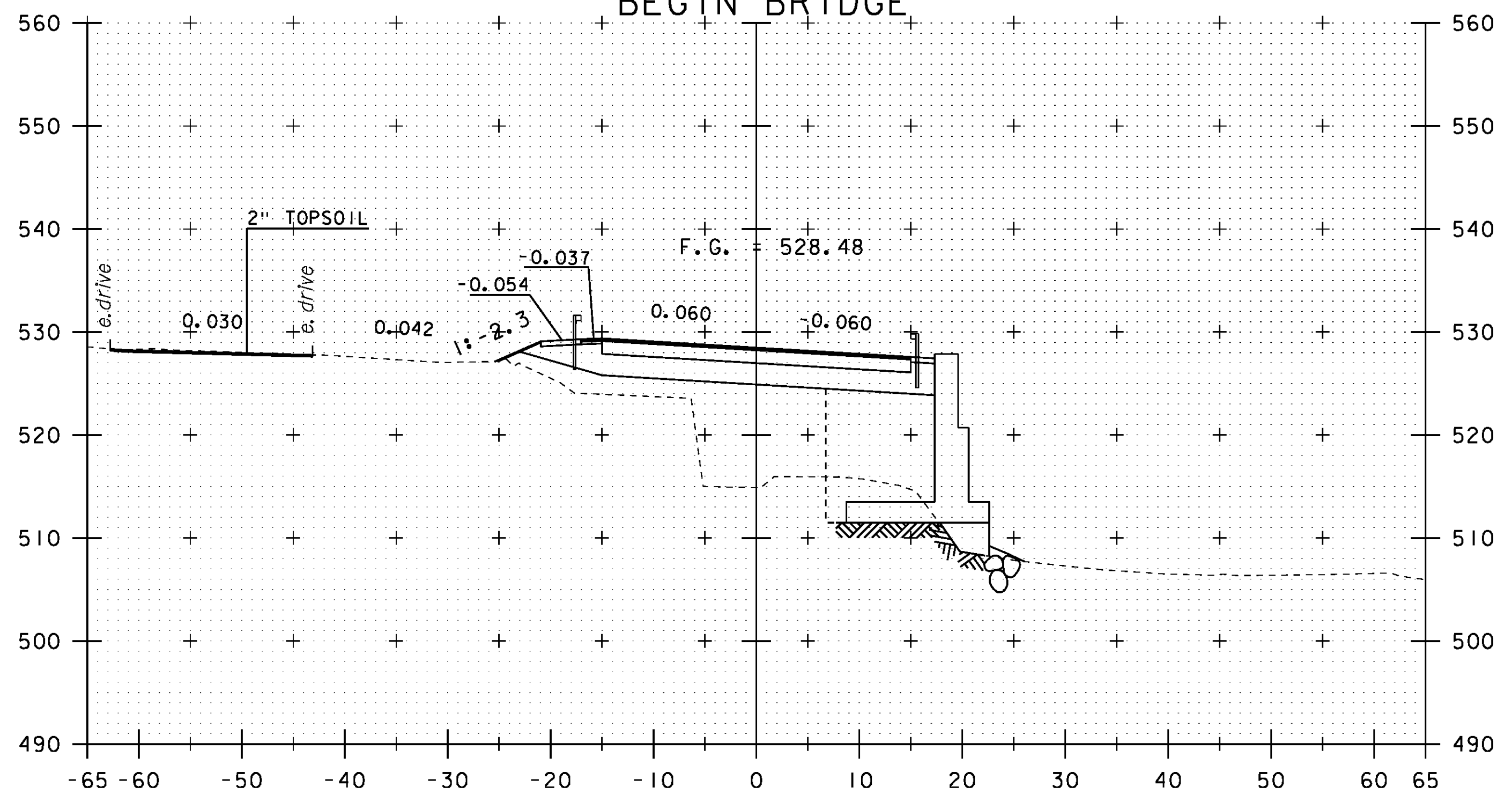
415+25



415+75
 STA 415+61.37
 END ROADWAY
 BEGIN BRIDGE



415+00



415+50



SCALE: 1" = 10'-0"

STA. 415+00 TO STA. 415+75

PROJECT NAME: ROYALTON
 PROJECT NUMBER: BRS 0147 (13)

FILE NAME: \BR_28\86e055xsl_28.dgn
 PROJECT LEADER: C. CARLSON
 DESIGNED BY: D. PETERSON
 BRIDGE 28 VT 14 CROSS SECTIONS (4)

PLOT DATE: 08-OCT-2013
 DRAWN BY: STR3
 CHECKED BY: C. CARLSON
 SHEET 140 OF 186