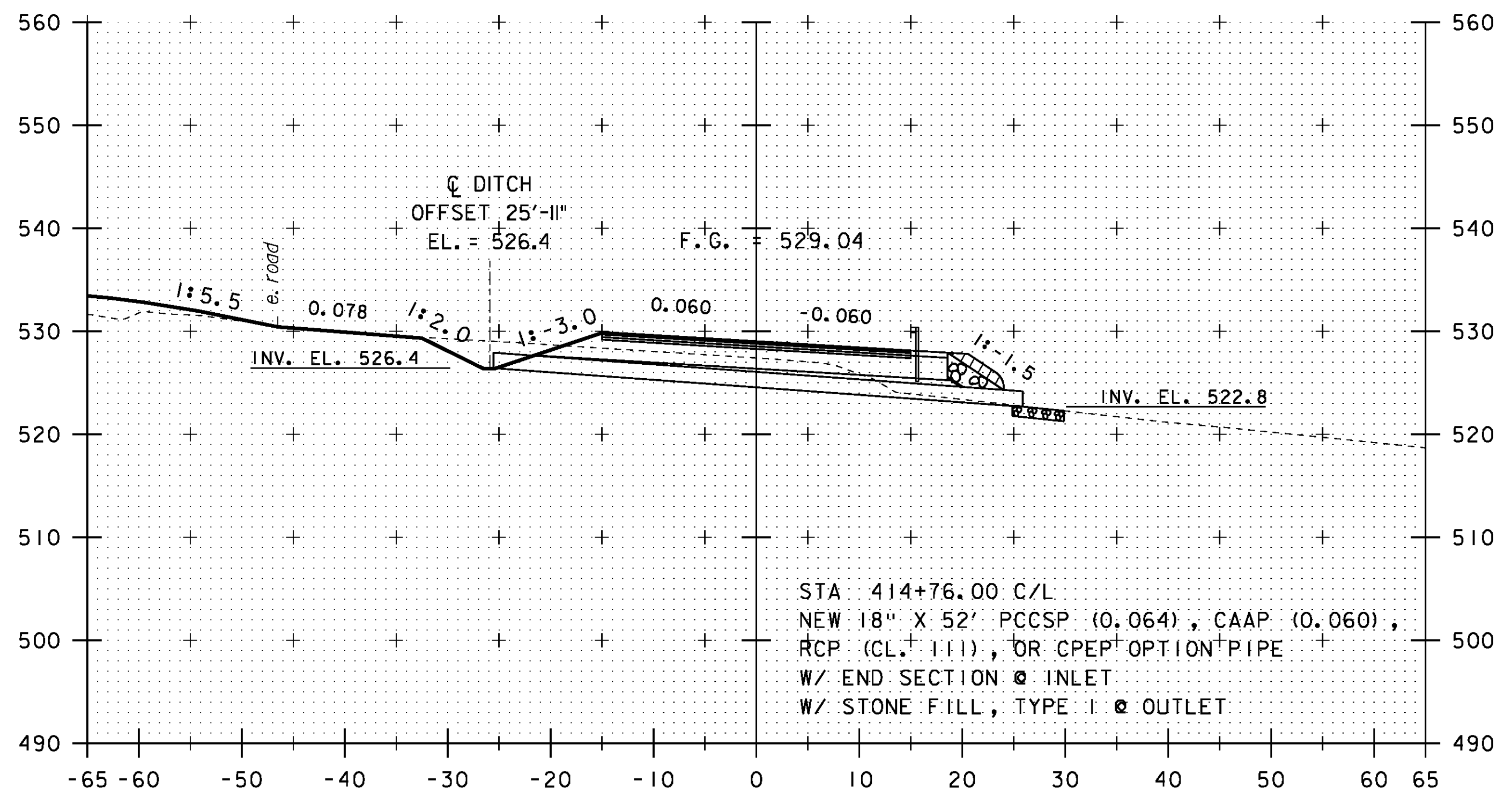
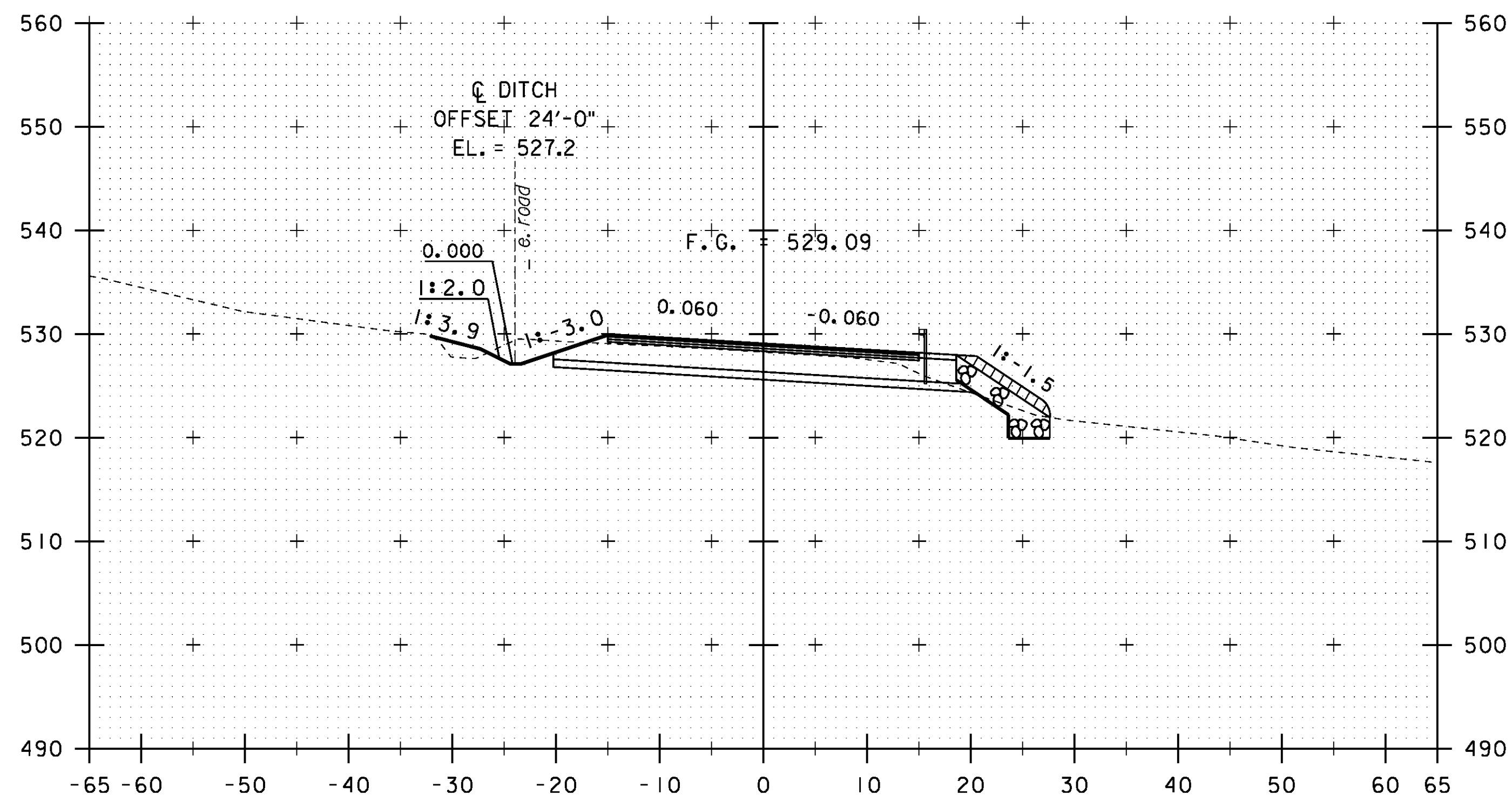


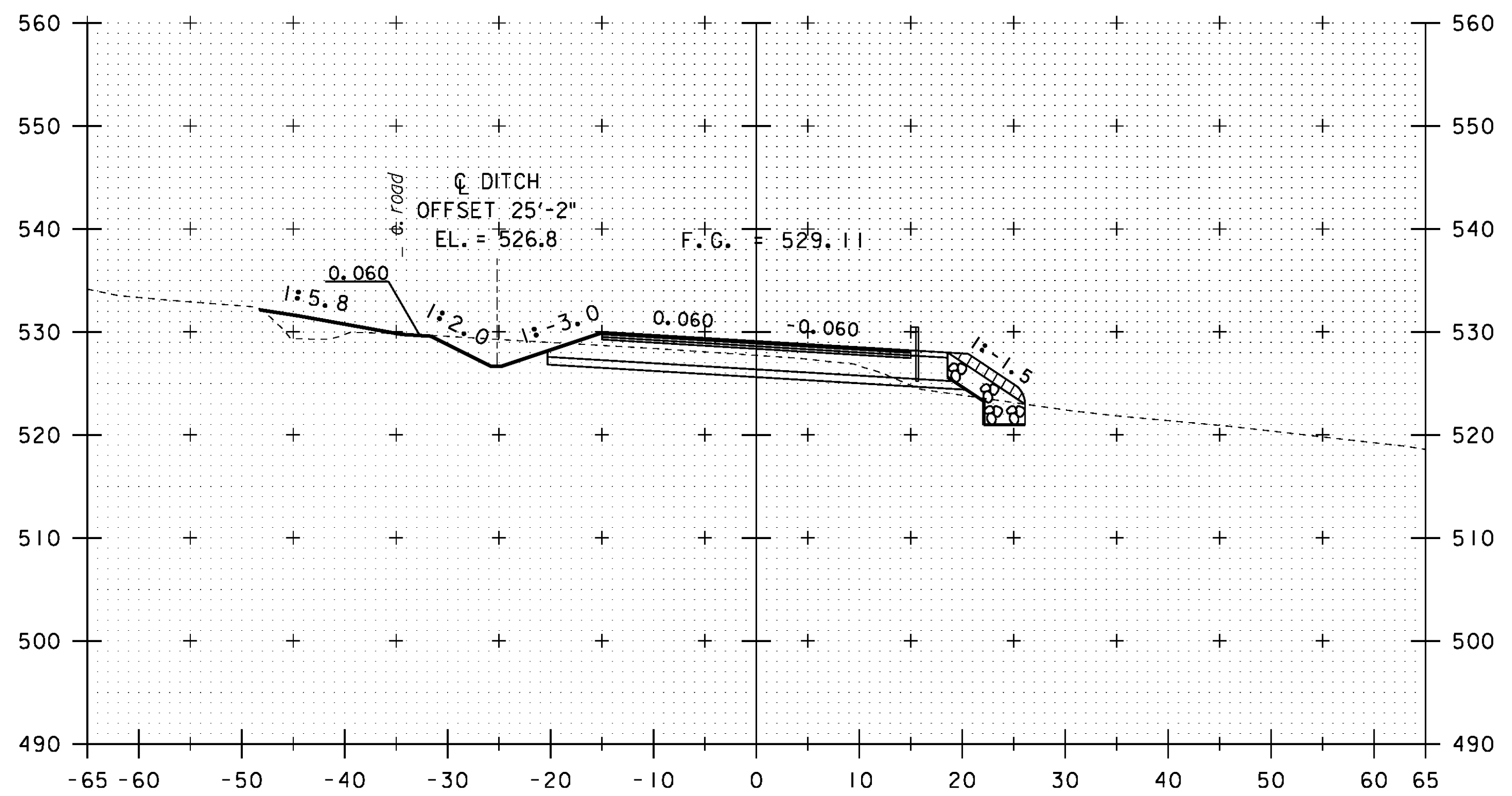
414+25



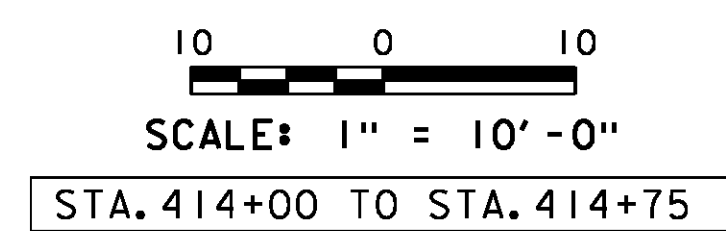
414+75



414+00



414+50



PROJECT NAME: ROYALTON	PROJECT NUMBER: BRS 0147 (13)
FILE NAME: \BR_28\86e055xsl_28.dgn	PLOT DATE: 08-OCT-2013
PROJECT LEADER: C. CARLSON	DRAWN BY: STR3
DESIGNED BY: D. PETERSON	CHECKED BY: C. CARLSON
BRIDGE 28 VT 14 CROSS SECTIONS (3)	SHEET 139 OF 186