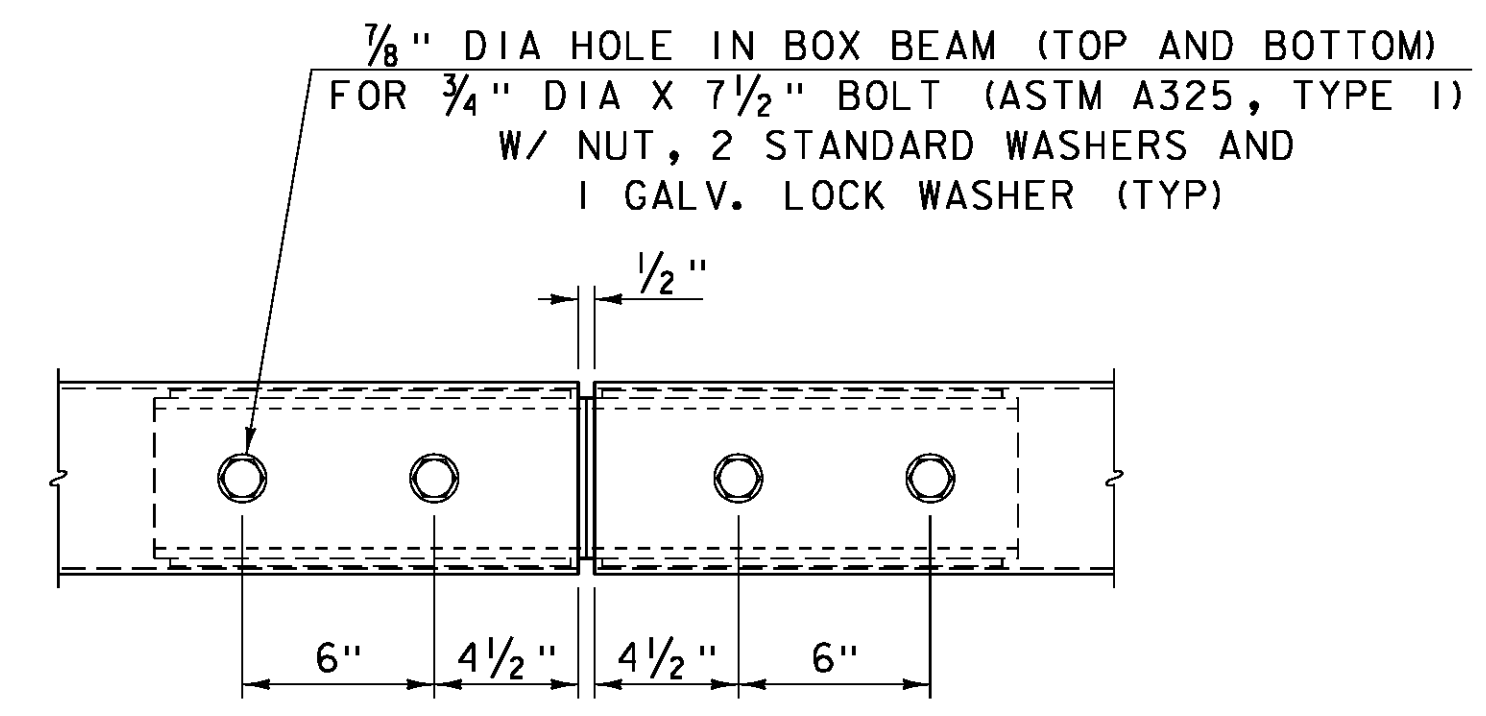
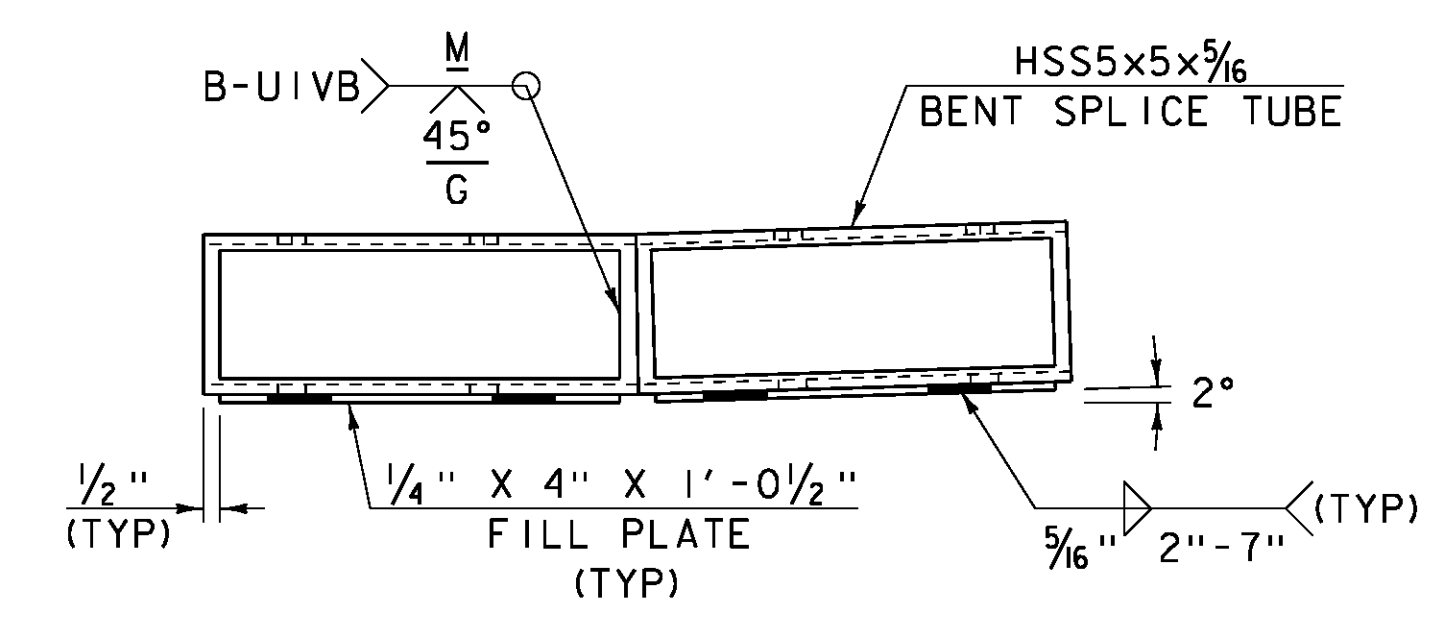


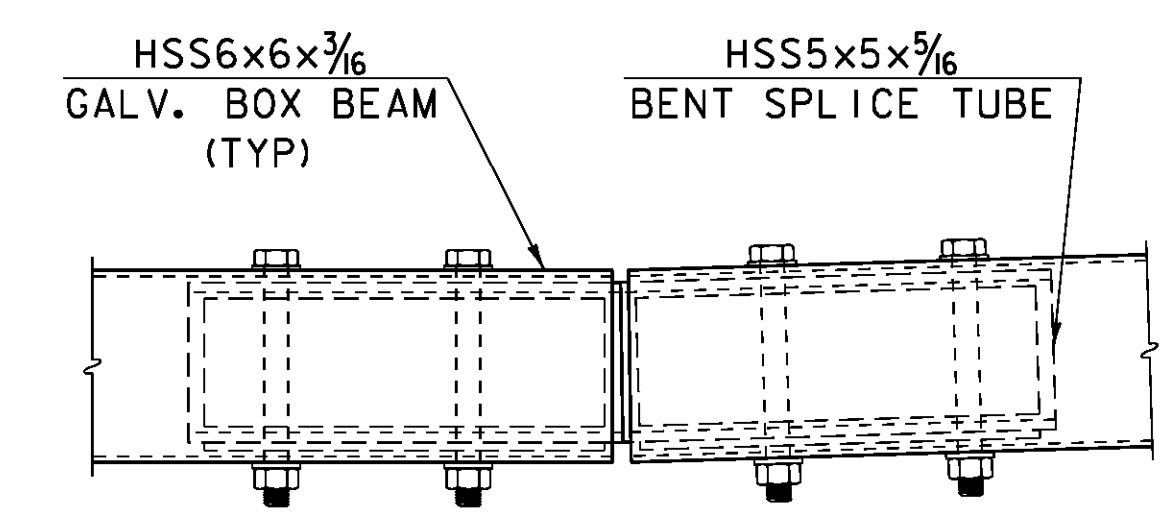
FIXED SPLICE TUBE PLAN
NOT TO SCALE



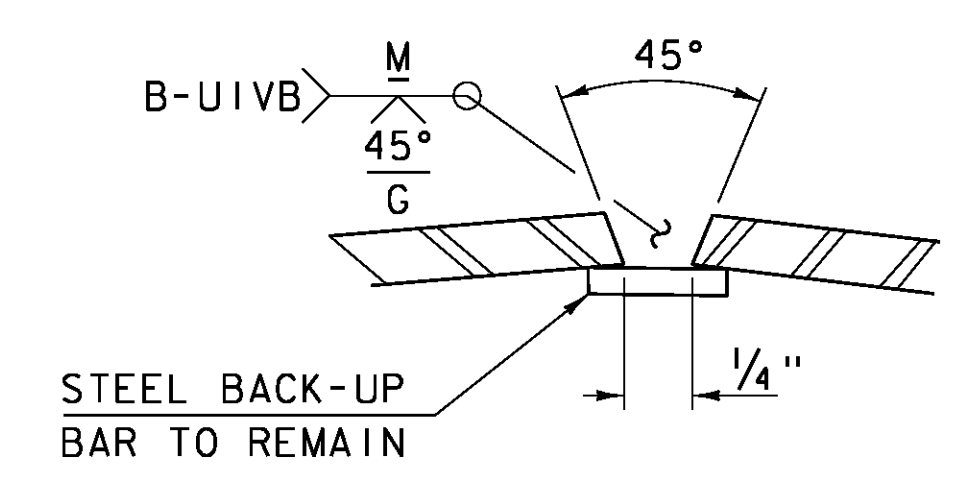
FIXED SPLICE ASSEMBLY PLAN
NOT TO SCALE



FIXED SPLICE TUBE ELEVATION
NOT TO SCALE



FIXED SPLICE ASSEMBLY ELEVATION
NOT TO SCALE



WELD DETAIL FOR SPLICE TUBE
NOT TO SCALE

PROJECT NAME: ROYALTON	PLOT DATE: 08-OCT-2013
PROJECT NUMBER: BRS 0147 (13)	DRAWN BY: G. ROY
FILE NAME: \BR 28\86e055rail.28.dgn	CHECKED BY: D. PETERSON
PROJECT LEADER: C. CARLSON	SHEET 136 OF 186
DESIGNED BY: G. ROY	
BRIDGE 28 APPROACH RAIL DETAILS (3)	