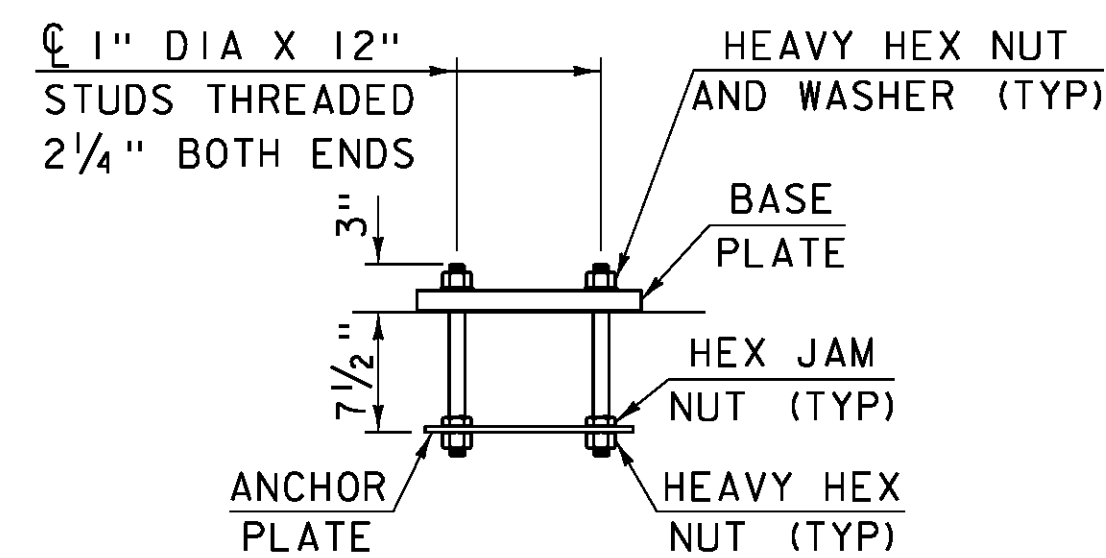


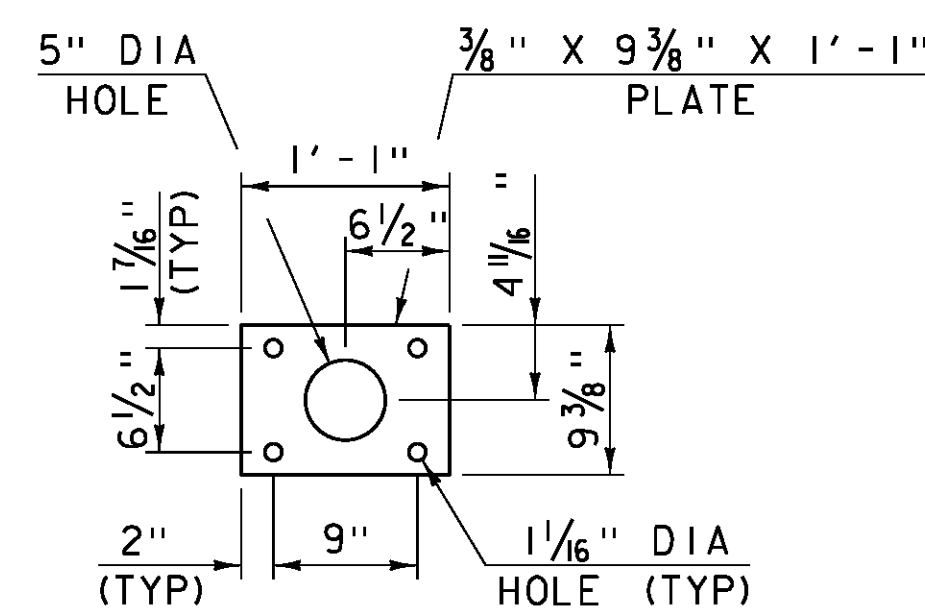
RAIL LAYOUT

SCALE: 1" = 10'-0"



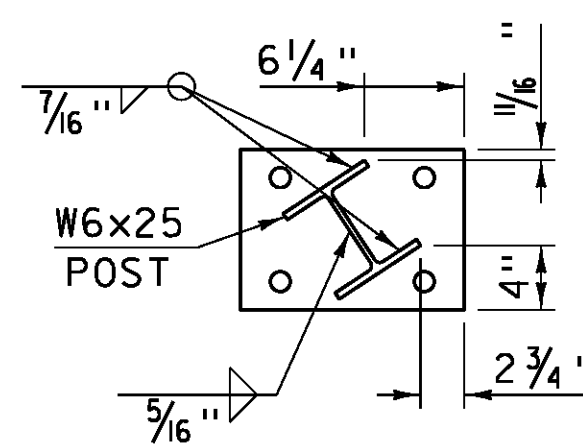
POST ANCHORAGE

SCALE: 1" = 1'-0"



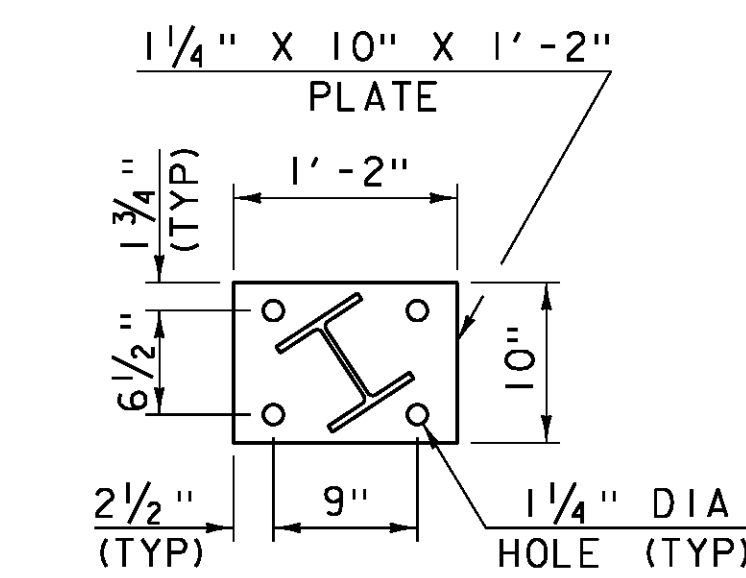
ANCHOR PLATE DETAIL

SCALE: 1" = 1'-0"



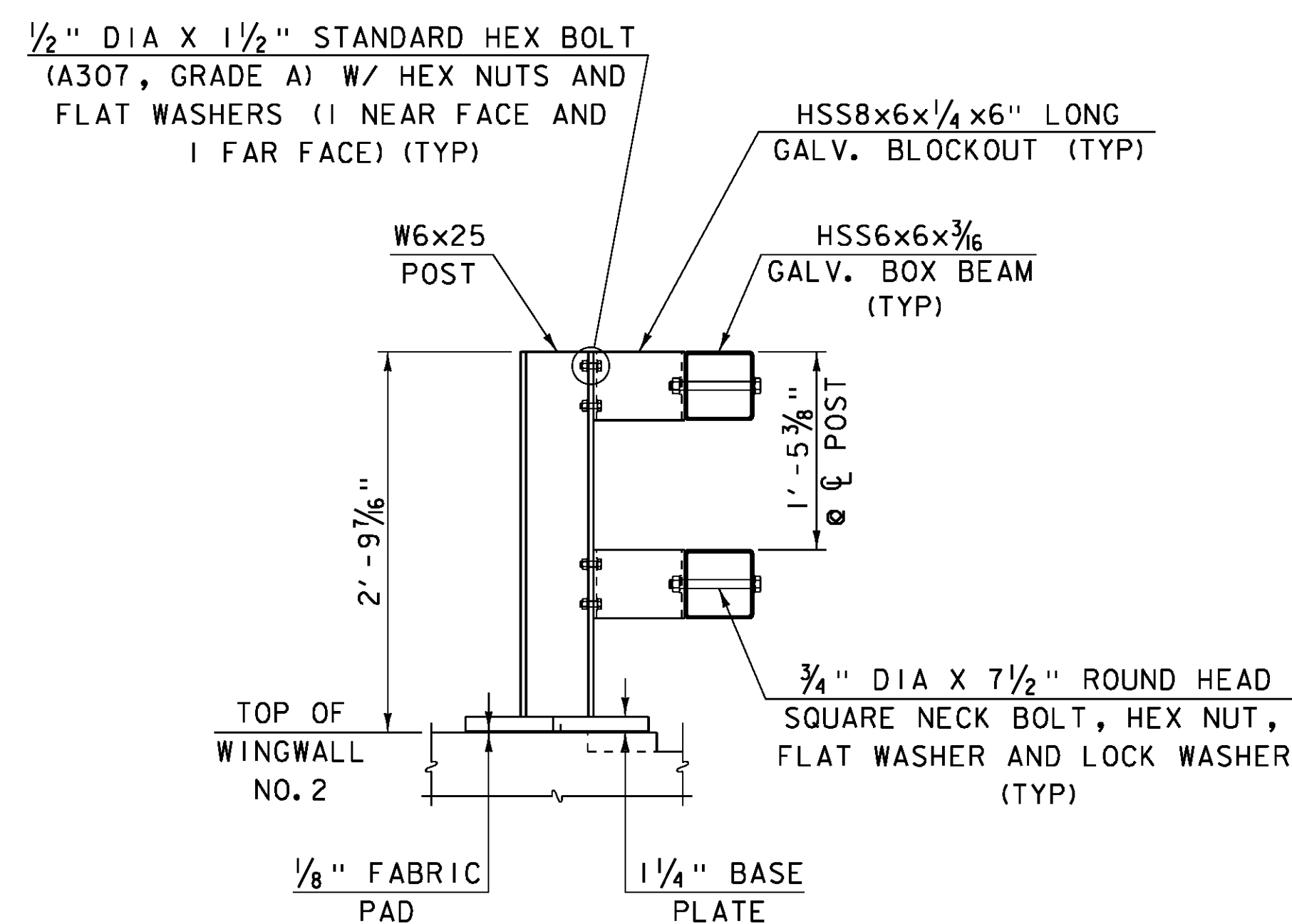
POST LOCATION DETAIL

SCALE: 1" = 1'-0"



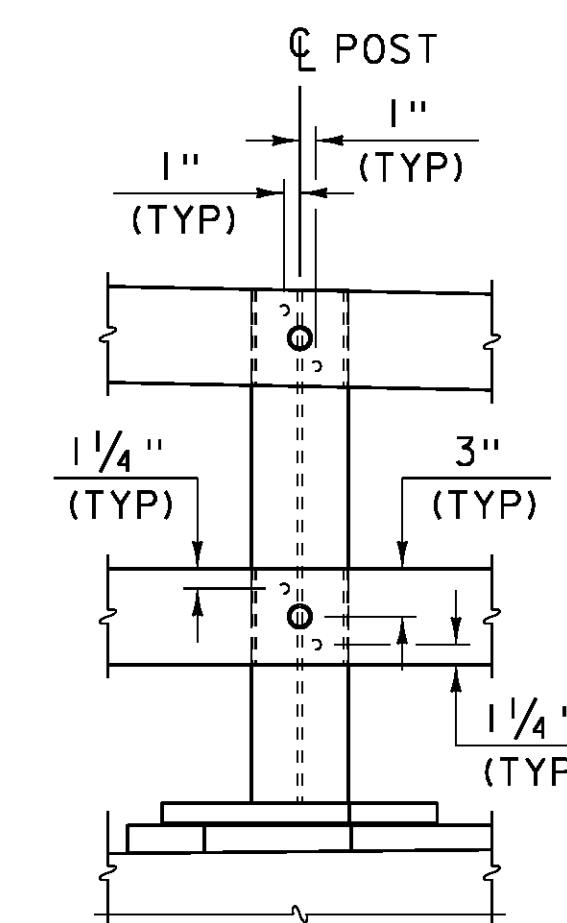
BASE PLATE DETAIL

SCALE: 1" = 1'-0"



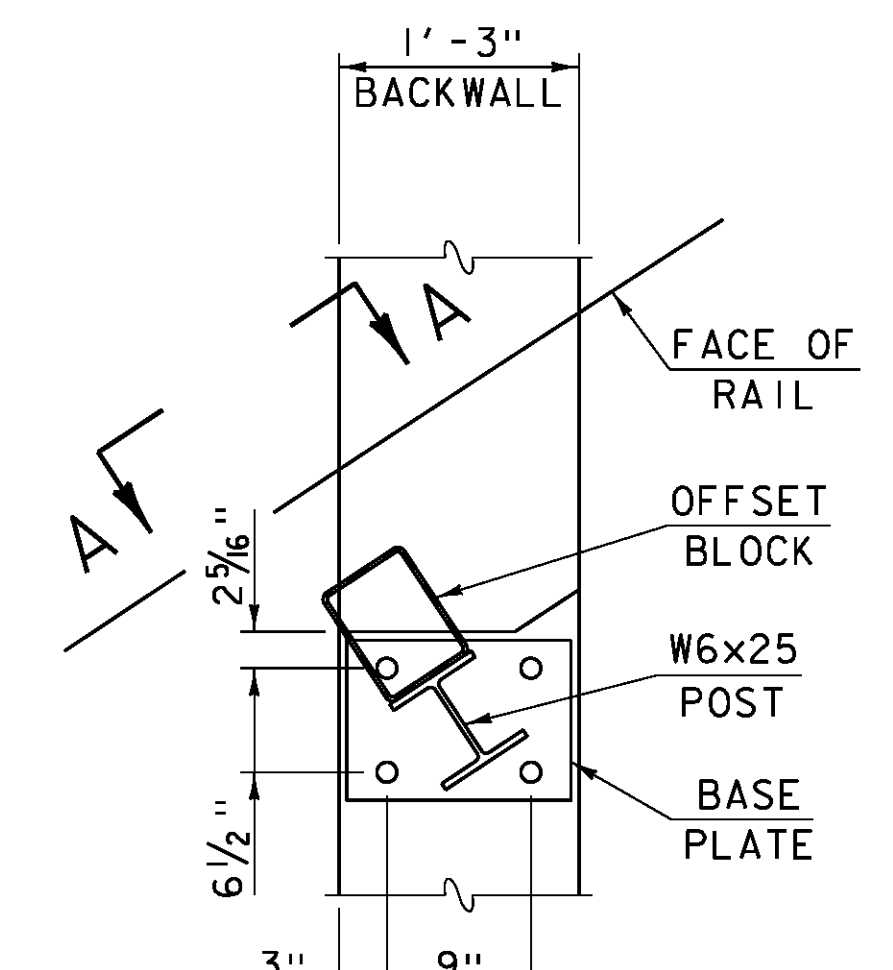
RAIL SECTION

SCALE: 1" = 1'-0"



VIEW "A-A"

SCALE: 1" = 1'-0"



DETAIL "A"

SCALE: 1" = 1'-0"

NOTE:
HOLES FOR BLOCKOUT AND RAIL ATTACHMENT SHALL BE 1/16" LARGER THAN BOLT SIZE.

PROJECT NAME: ROYALTON
PROJECT NUMBER: BRS 0147 (13)

FILE NAME: \BR 28\86e055rail.28.dgn PLOT DATE: 08-OCT-2013
PROJECT LEADER: C. CARLSON DRAWN BY: G. ROY
DESIGNED BY: G. ROY CHECKED BY: D. PETERSON
BRIDGE 28 RAIL LAYOUT SHEET 131 OF 186