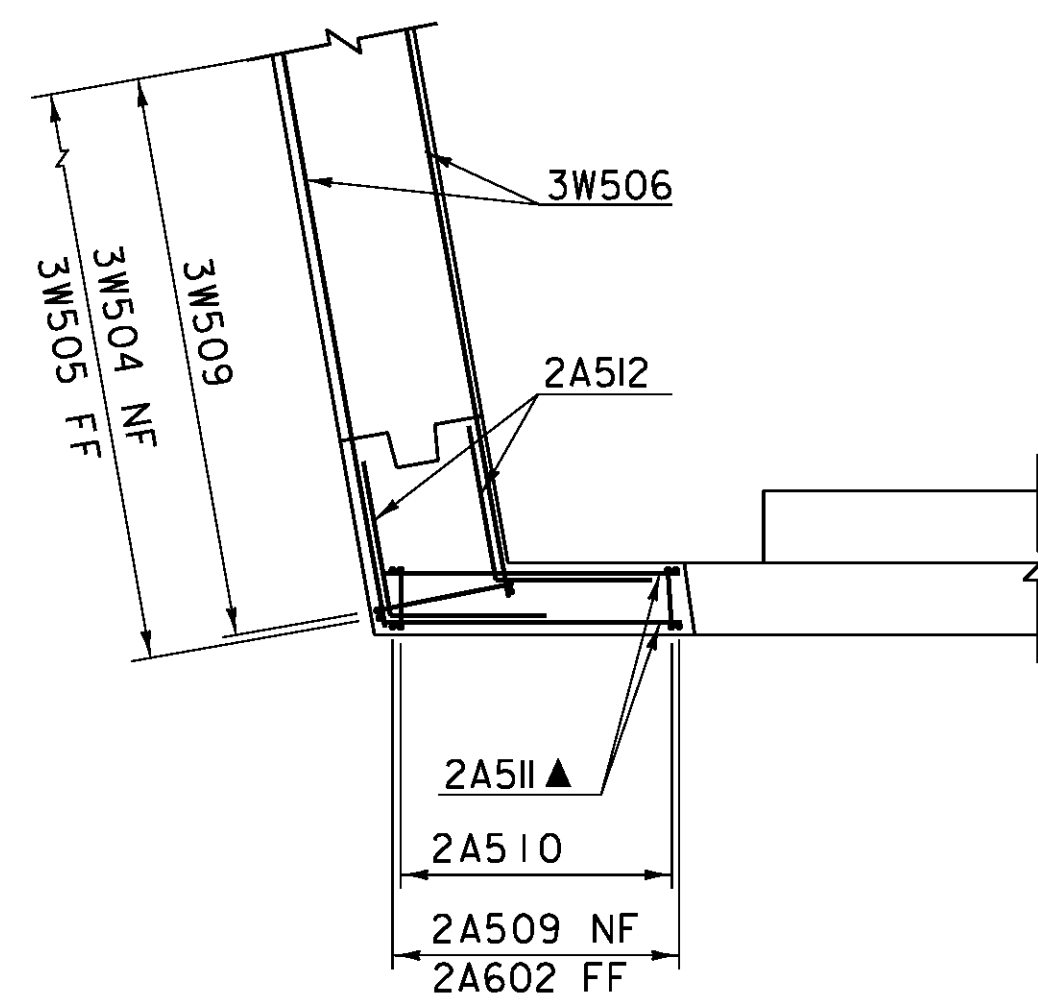


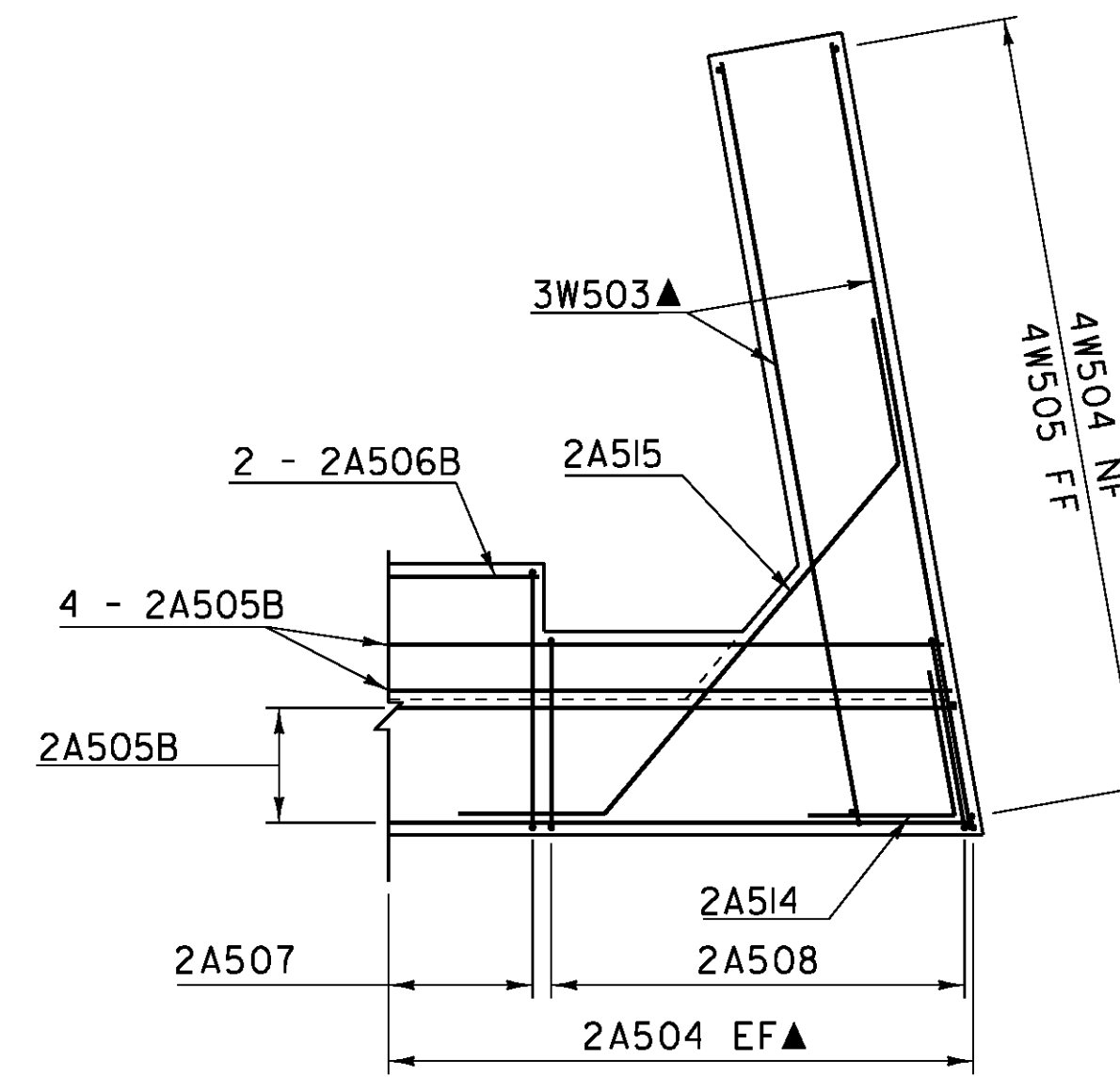
WINGWALL #3 CORNER
BELOW BRIDGE SEAT

SCALE 3/8" = 1'-0"



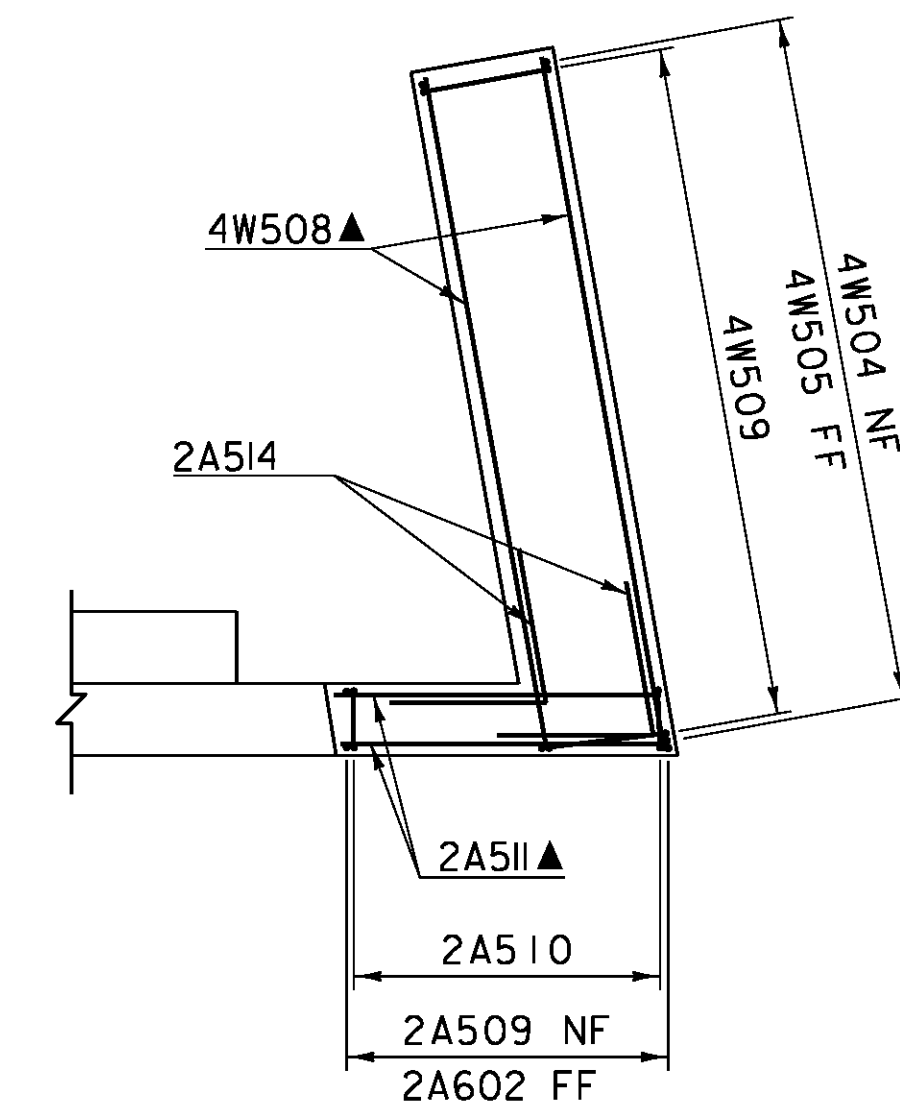
WINGWALL #3 CORNER
ABOVE BRIDGE SEAT

SCALE 3/8" = 1'-0"



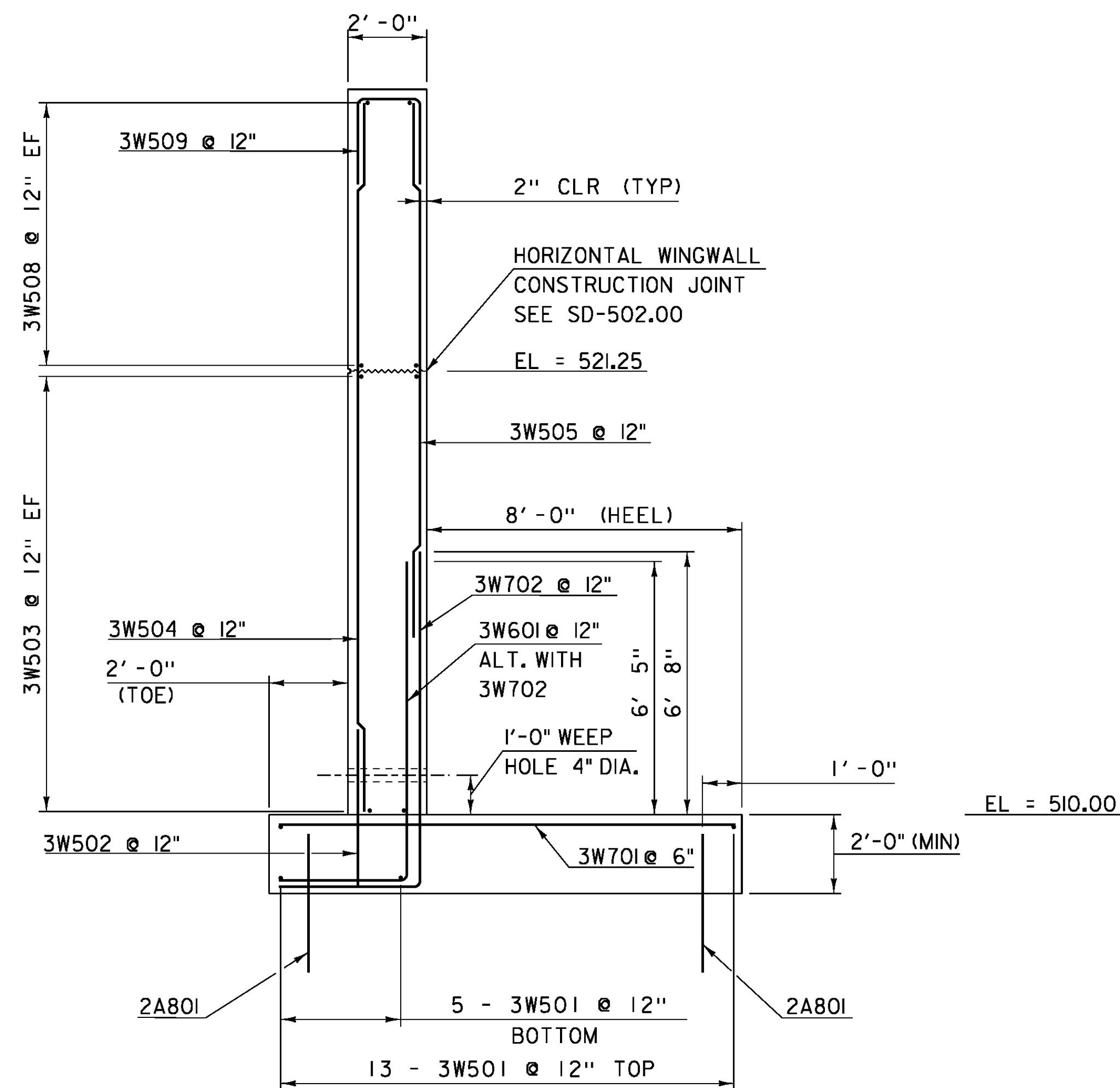
WINGWALL #4 CORNER
BELOW BRIDGE SEAT

SCALE 3/8" = 1'-0"



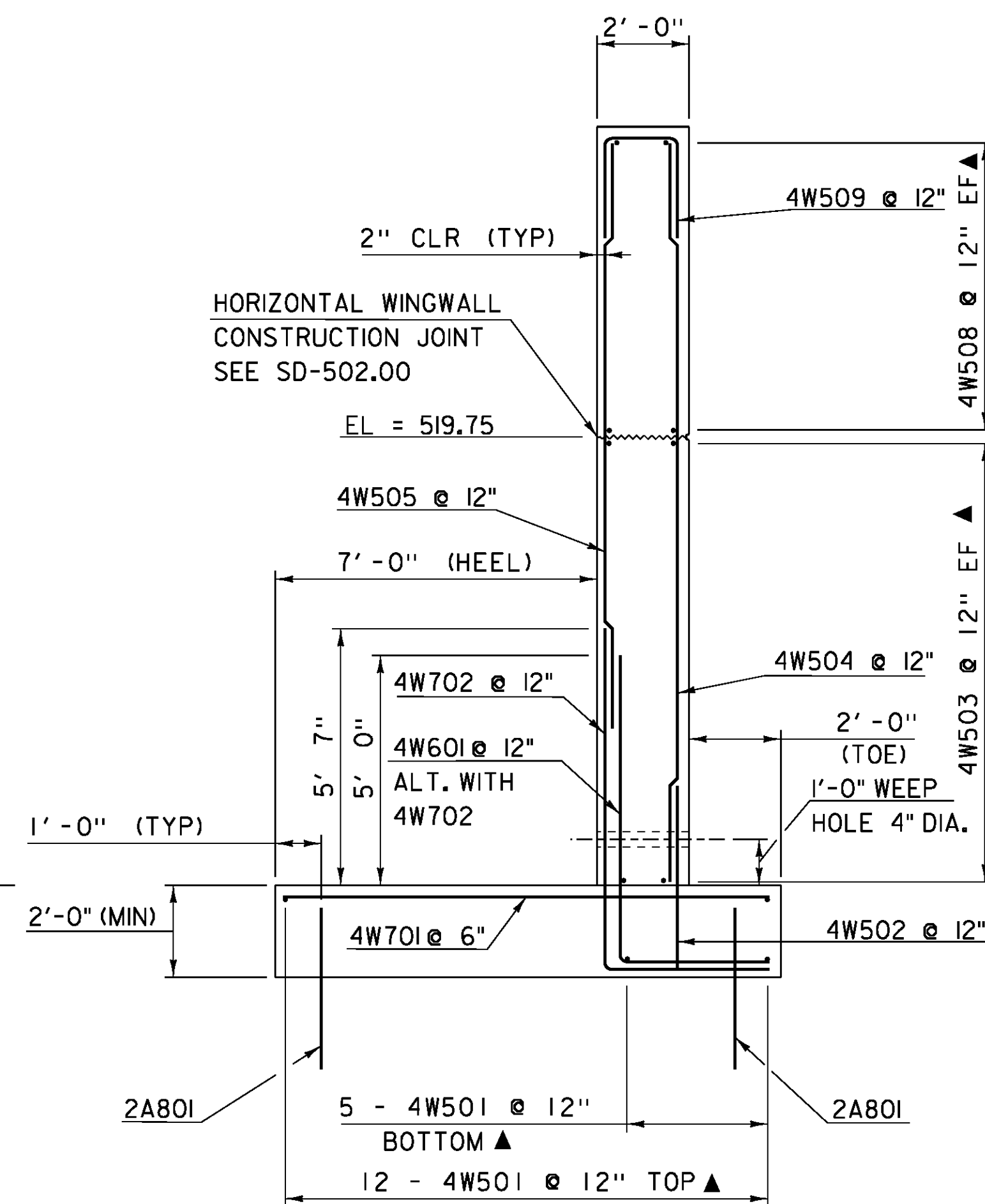
WINGWALL #4 CORNER
ABOVE BRIDGE SEAT

SCALE 3/8" = 1'-0"



WINGWALL #3 TYPICAL

SCALE 3/8" = 1'-0"



WINGWALL #4 TYPICAL

SCALE 3/8" = 1'-0"

NOTE:

- NF = NEAR FACE
- FF = FAR FACE
- EF = EACH FACE
- ▲ = CUT TO FIT IN FIELD
- 3" CLEAR, UNLESS OTHERWISE SPECIFIED ON THE PLANS.
- 2'-2" BAR LAP UNLESS OTHERWISE SPECIFIED ON THE PLANS.

PROJECT NAME: ROYALTON
PROJECT NUMBER: BRS 0147 (13)

FILE NAME: 86e055/STR/86e055sub.dgn
PROJECT LEADER: C.CARLSON
DESIGNED BY: D.PETERSON
BRIDGE 28 WINGWALL 3 AND 4 TYPICALS

PLOT DATE: 08-OCT-2013
DRAWN BY: G.ROKES
CHECKED BY: D.PETERSON
SHEET 129 OF 186