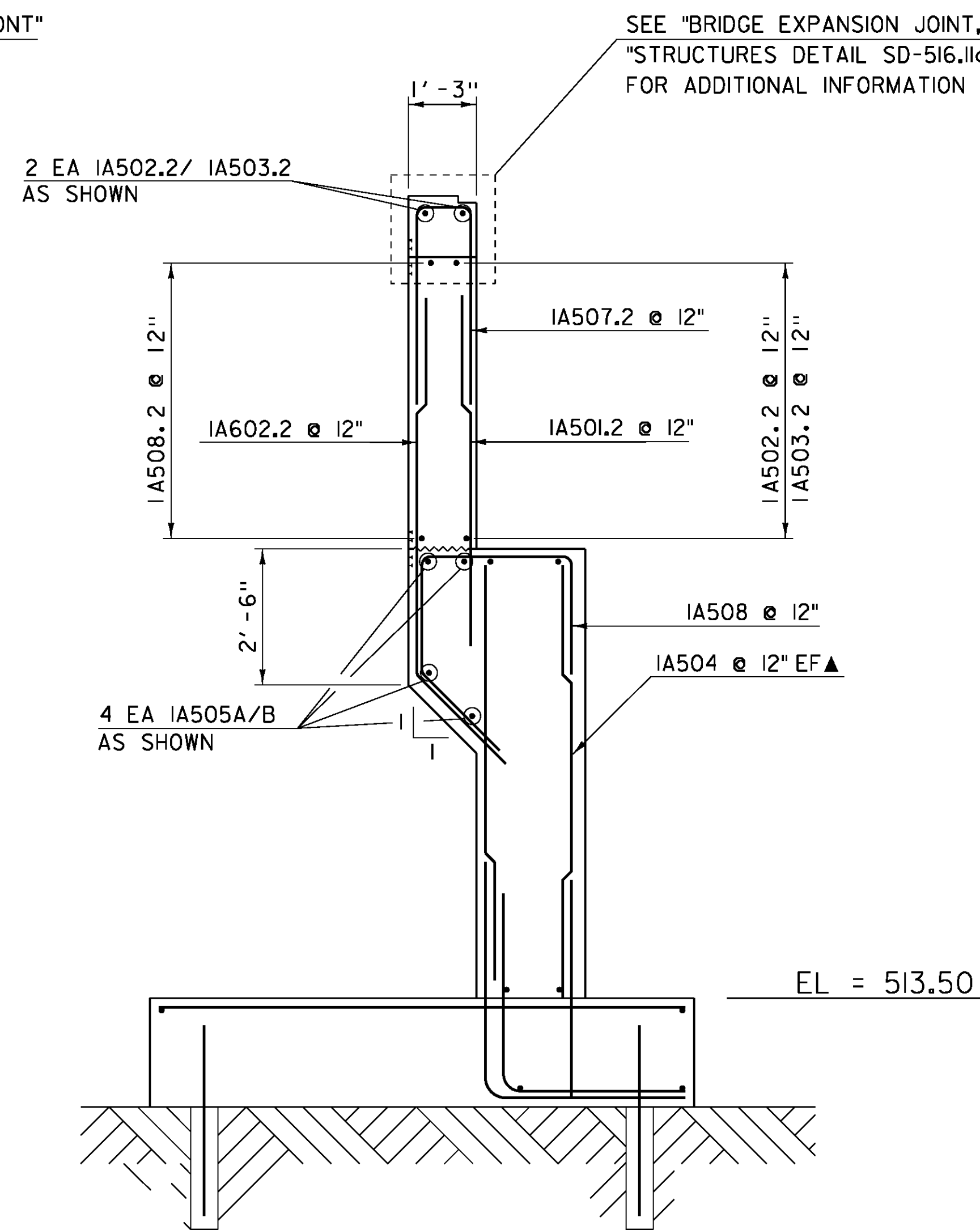


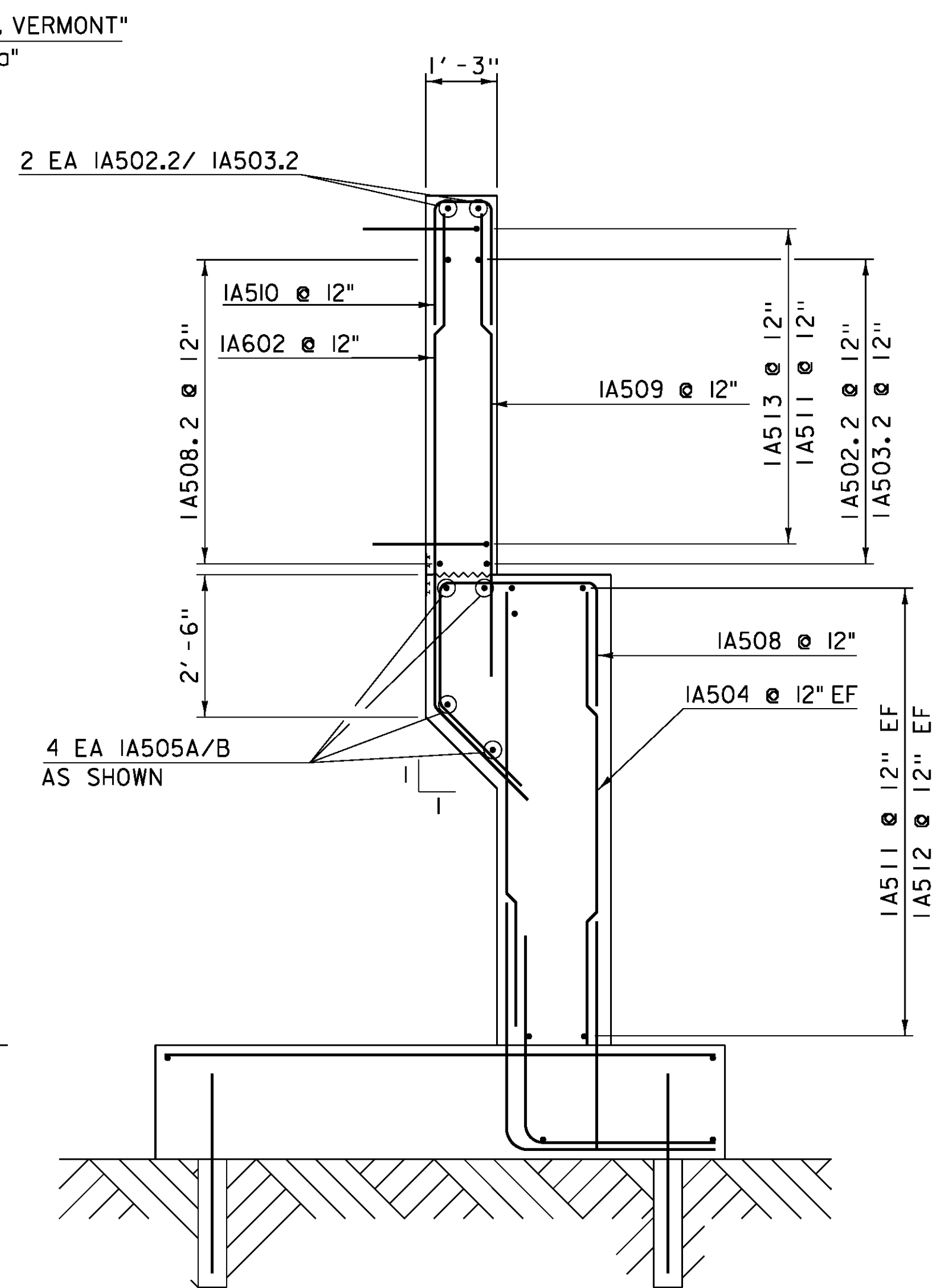
ABUTMENT #1 TYPICAL

SCALE 1/2" = 1'-0"



A-A SECTION ABUTMENT #1

SCALE 1/2" = 1'-0"



B-B SECTION ABUTMENT #1

SCALE 1/2" = 1'-0"

NOTE:

- NF = NEAR FACE
- FF = FAR FACE
- EF = EACH FACE
- ▲ = CUT TO FIT IN FIELD
- 3" CLEAR, UNLESS OTHERWISE SPECIFIED ON THE PLANS.
- 2' - 2" BAR LAP UNLESS OTHERWISE SPECIFIED ON THE PLANS.

PROJECT NAME:	ROYALTON	FILE NAME:	86e055/STR/86e055sub.dgn	PLOT DATE:	08-OCT-2013
PROJECT NUMBER:	BRS 0147 (13)	PROJECT LEADER:	C.CARLSON	DRAWN BY:	G.ROKES
		DESIGNED BY:	D.PETERSON	CHECKED BY:	D.PETERSON
		BRIDGE 28 ABUTMENT 1 TYPICAL		SHEET	121 OF 186