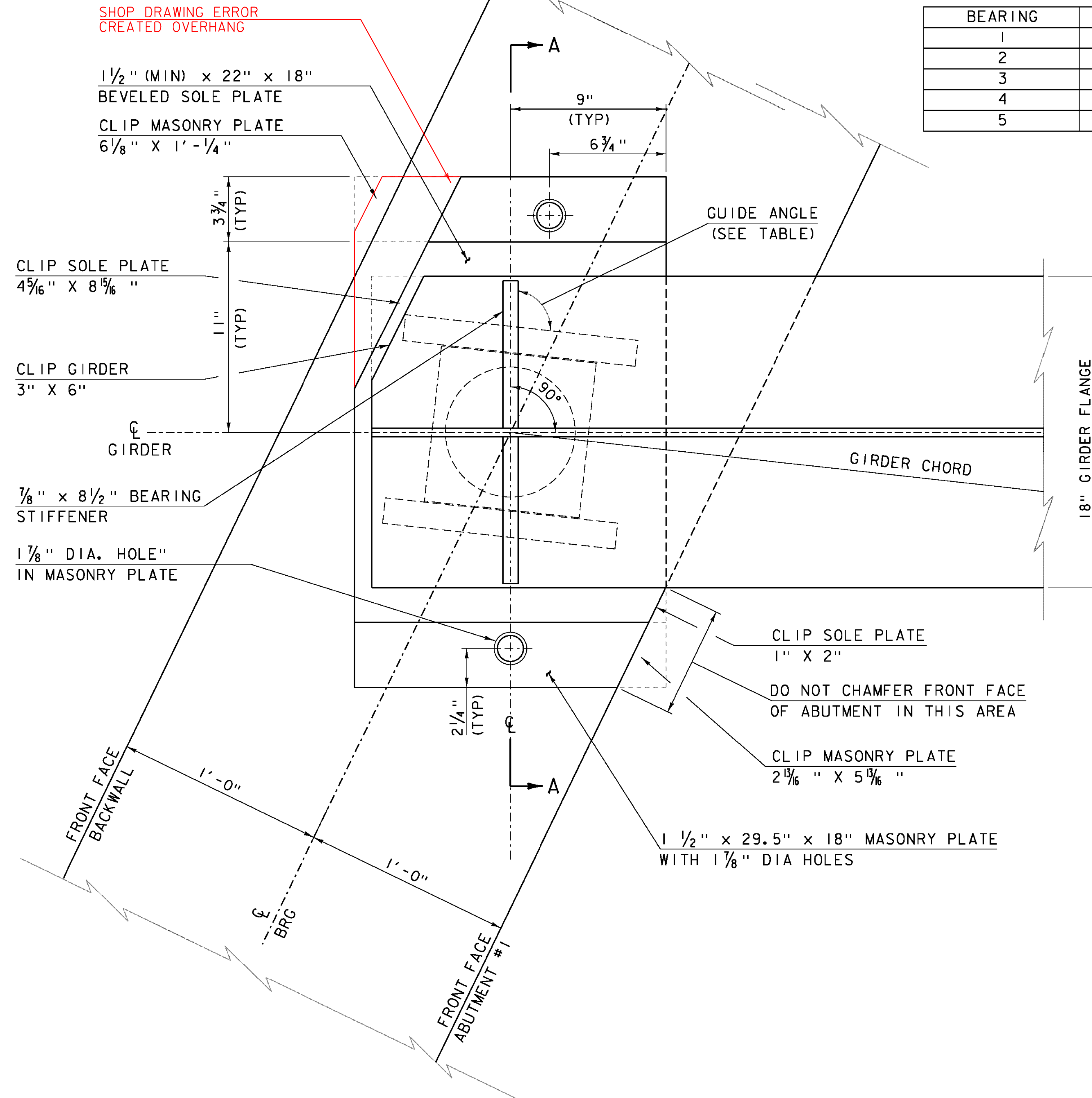
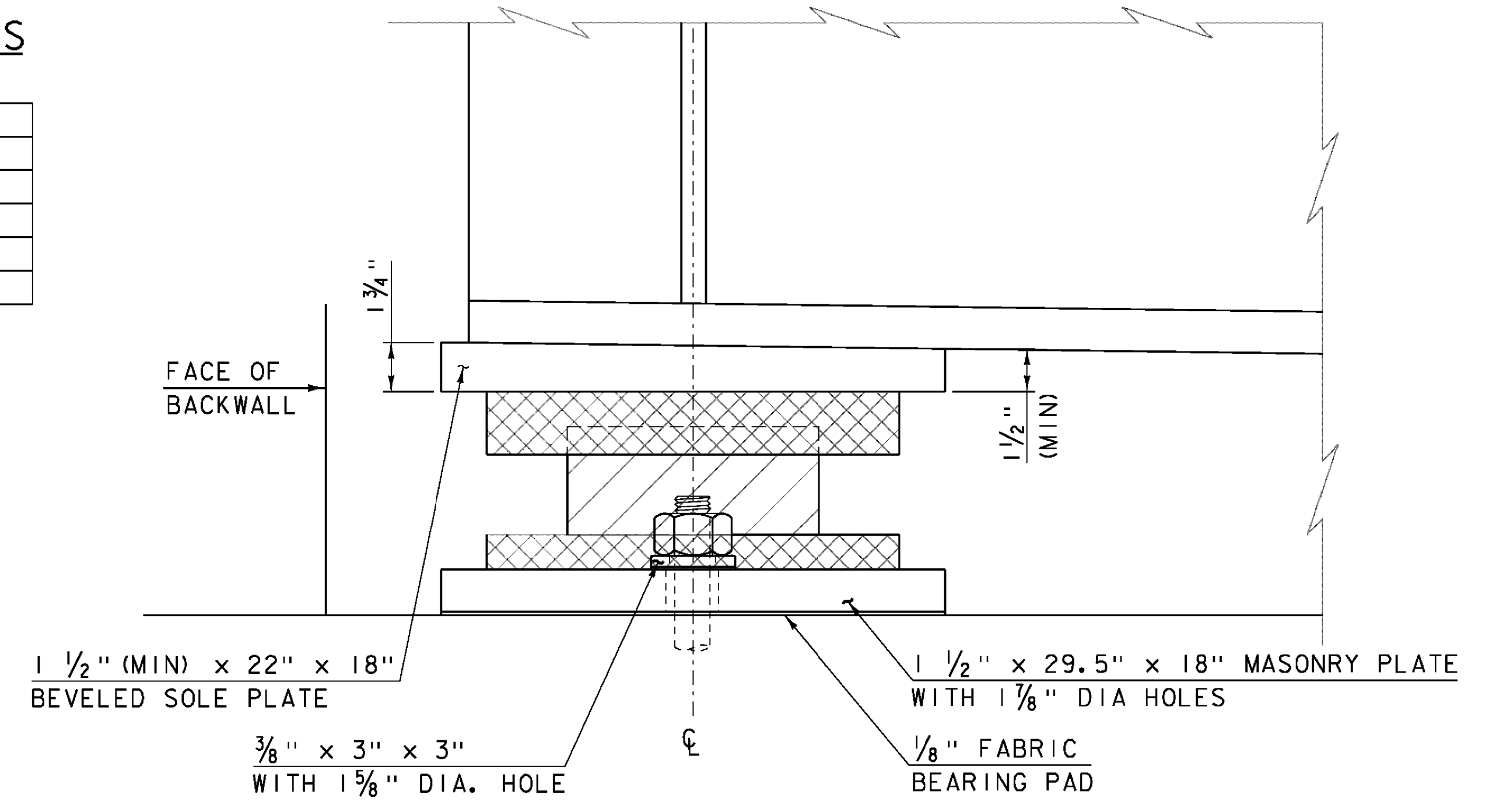


ABUTMENT 1 BEARINGS

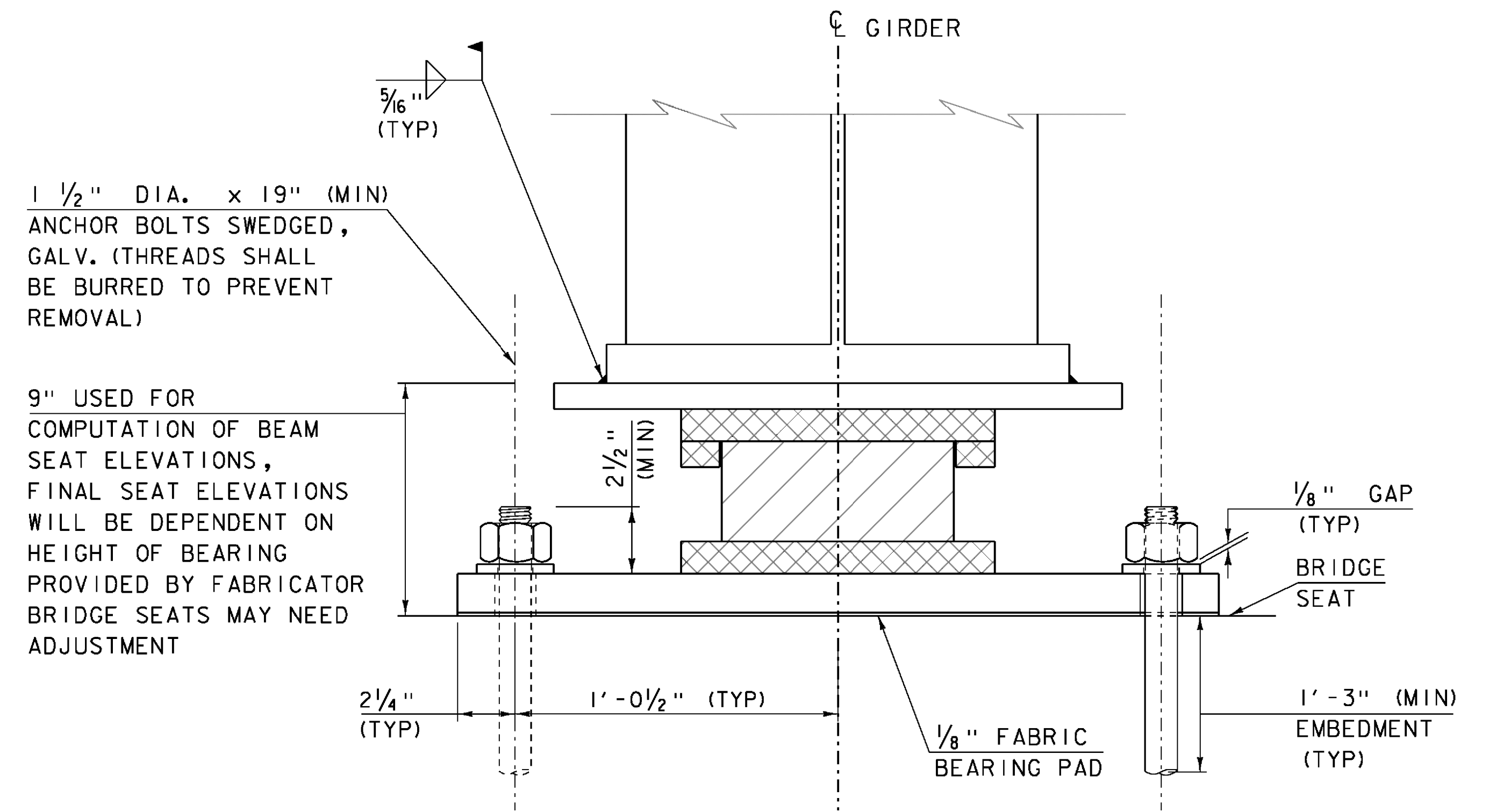
BEARING	GUIDE ANGLE
1	NONE
2	100° - 43'
3	101° - 0'
4	NONE
5	NONE



PLAN VIEW
SCALE 3" = 1' - 0"



SIDE ELEVATION
SCALE 3" = 1' - 0"



SECTION A-A
SCALE 3" = 1' - 0"

NOTES:

1. THE HATCHED COMPONENTS OF THE POT BEARINGS ARE SHOWN FOR REPRESENTATIVE PURPOSES ONLY. THE ACTUAL CONFIGURATION OF THE COMPONENTS WILL BE DEPENDENT UPON THE BEARING FABRICATOR.
2. SEE BRIDGE 28 BEARING NOTES, SHEET 116 FOR ADDITIONAL BEARING NOTES.

PROJECT NAME: ROYALTON	PLOT DATE: 08-OCT-2013
PROJECT NUMBER: BRS 0147 (13)	DRAWN BY: DZENAN K.
FILE NAME: \BR 28\86e055brg.28.dgn	CHECKED BY: D. PETERSON
PROJECT LEADER: C. CARLSON	SHEET 117 OF 186
DESIGNED BY: D. PETERSON	
BRIDGE 28 EXPANSION BEARING DETAILS	