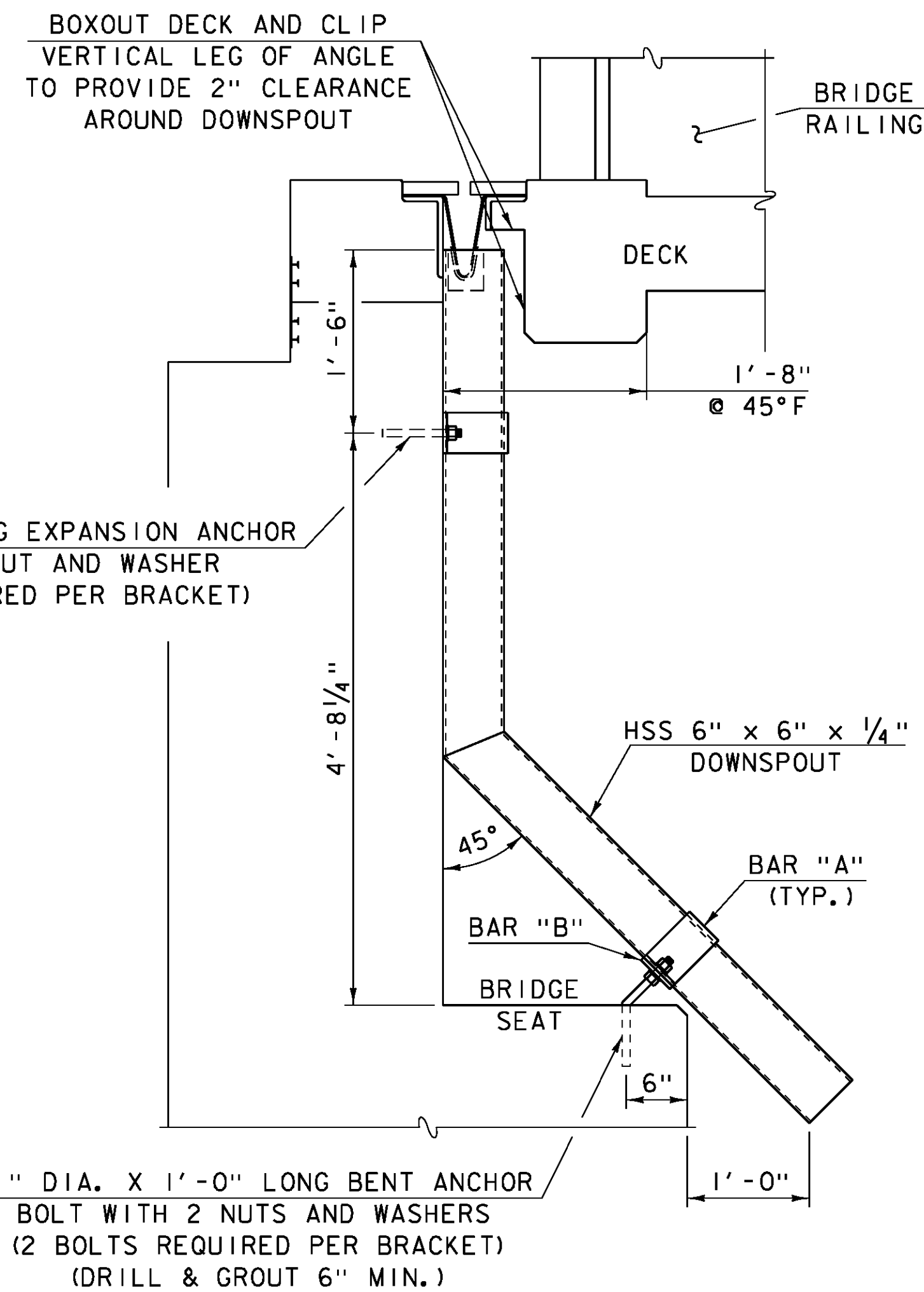


DOWNSPOUT PLAN

SCALE: 1" = 1'-0"

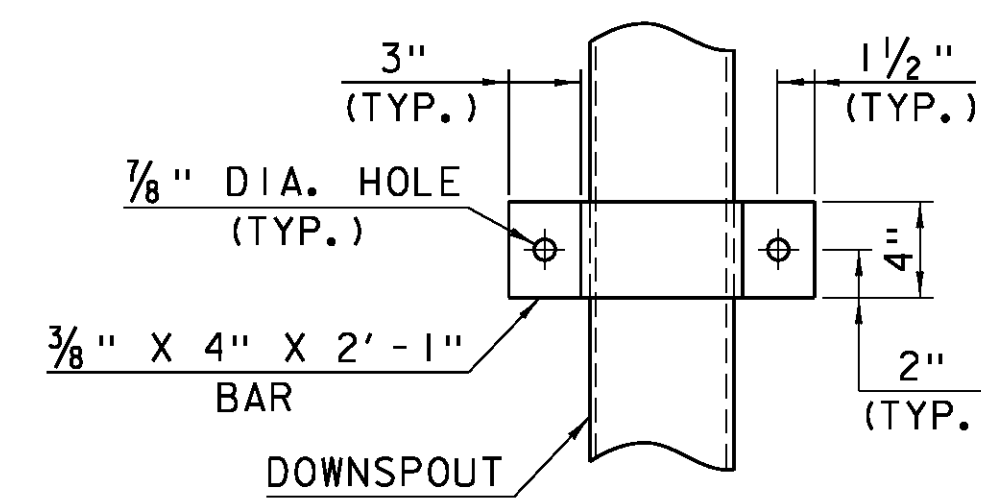
DOWNSPOUT NOTES

1. HOLLOW STRUCTURAL STEEL TUBING SHALL CONFORM TO SECTION 506.02 OF THE STANDARD SPECIFICATIONS.
2. ALL PLATES, BARS, AND ANGLES SHALL CONFORM TO SECTION 714.02 OF THE STANDARD SPECIFICATIONS.
3. DOWNSPOUT SHALL BE GALVANIZED IN ACCORDANCE WITH 726.08 OF THE STANDARD SPECIFICATIONS AFTER FABRICATION.
4. ALL BOLTS AND RELATED HARDWARE SHALL BE ASTM A307 AND SHALL BE GALVANIZED IN ACCORDANCE WITH ASTM A153 (AASHTO M232).
5. AREAS WHERE THE GALVANIZING HAS BEEN REMOVED FROM THE DOWNSPOUTS EITHER BY CUTTING, BURNING, WELDING, PLACING, OR ANY OTHER MEANS SHALL BE REPAIRED IN CONFORMANCE WITH SECTION 726.08 OF THE STANDARD SPECIFICATIONS.
6. ALL MATERIALS AND INSTALLATION COSTS FOR THE DOWNSPOUTS, INCLUDING STEEL TUBING, RELATED HARDWARE, AND ANCHOR BOLTS SHALL BE PAID FOR UNDER ITEM 506.75 "STRUCTURAL STEEL".



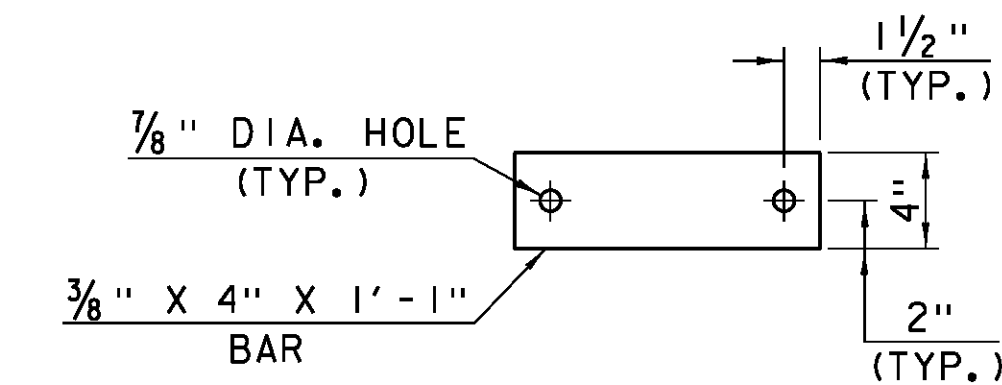
DOWNSPOUT ELEVATION

SCALE: 1" = 1'-0"



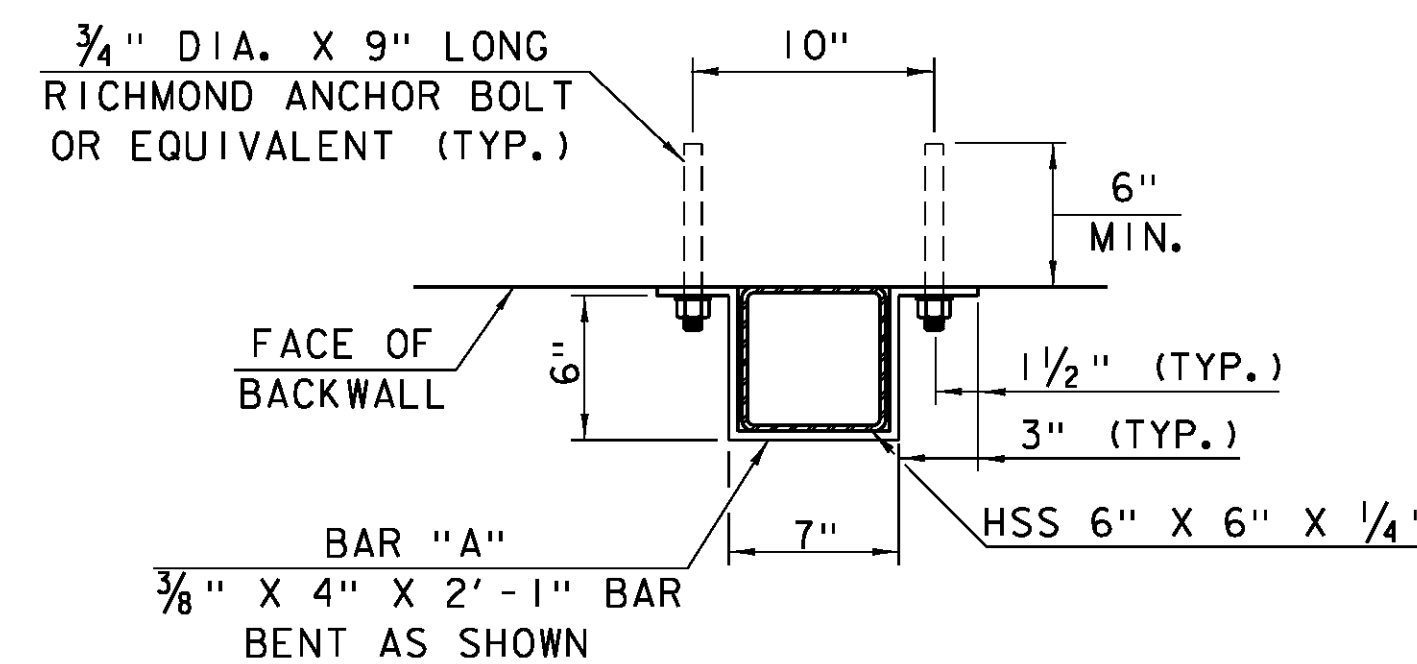
ELEVATION VIEW BAR "A"

SCALE: 1 1/2" = 1'-0"



ELEVATION VIEW BAR "B"

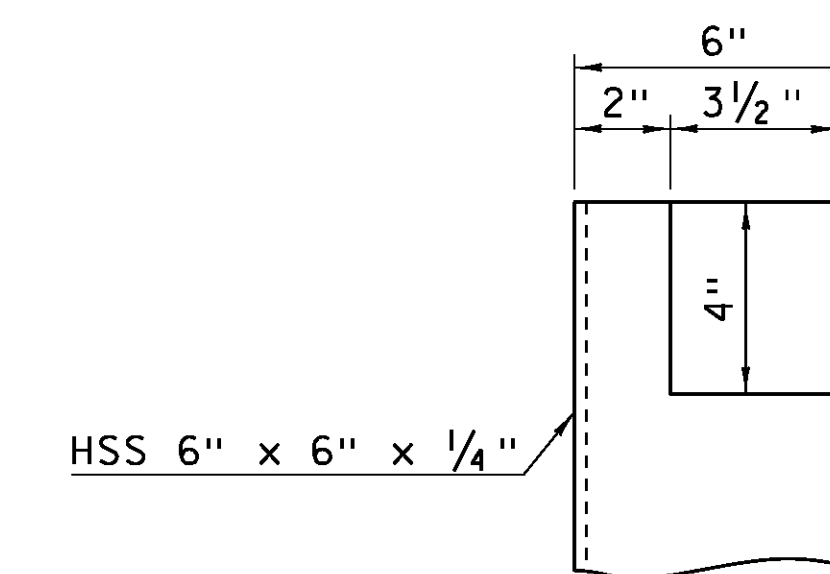
SCALE: 1 1/2" = 1'-0"



DOWNSPOUT ATTACHMENT TO BACKWALL

PLAN VIEW

SCALE: 1 1/2" = 1'-0"



DOWNSPOUT CUTOUT DETAIL

SCALE: 3" = 1'-0"

PROJECT NAME: ROYALTON
PROJECT NUMBER: BRS 0147 (13)

FILE NAME: \BR 28\s86e055sup_28.dgn PLOT DATE: 08-OCT-2013
PROJECT LEADER: C. CARLSON DRAWN BY: G. ROY
DESIGNED BY: D. PETERSON CHECKED BY: D. PETERSON
BRIDGE 28 DOWNSPOUT DETAILS SHEET 114 OF 186