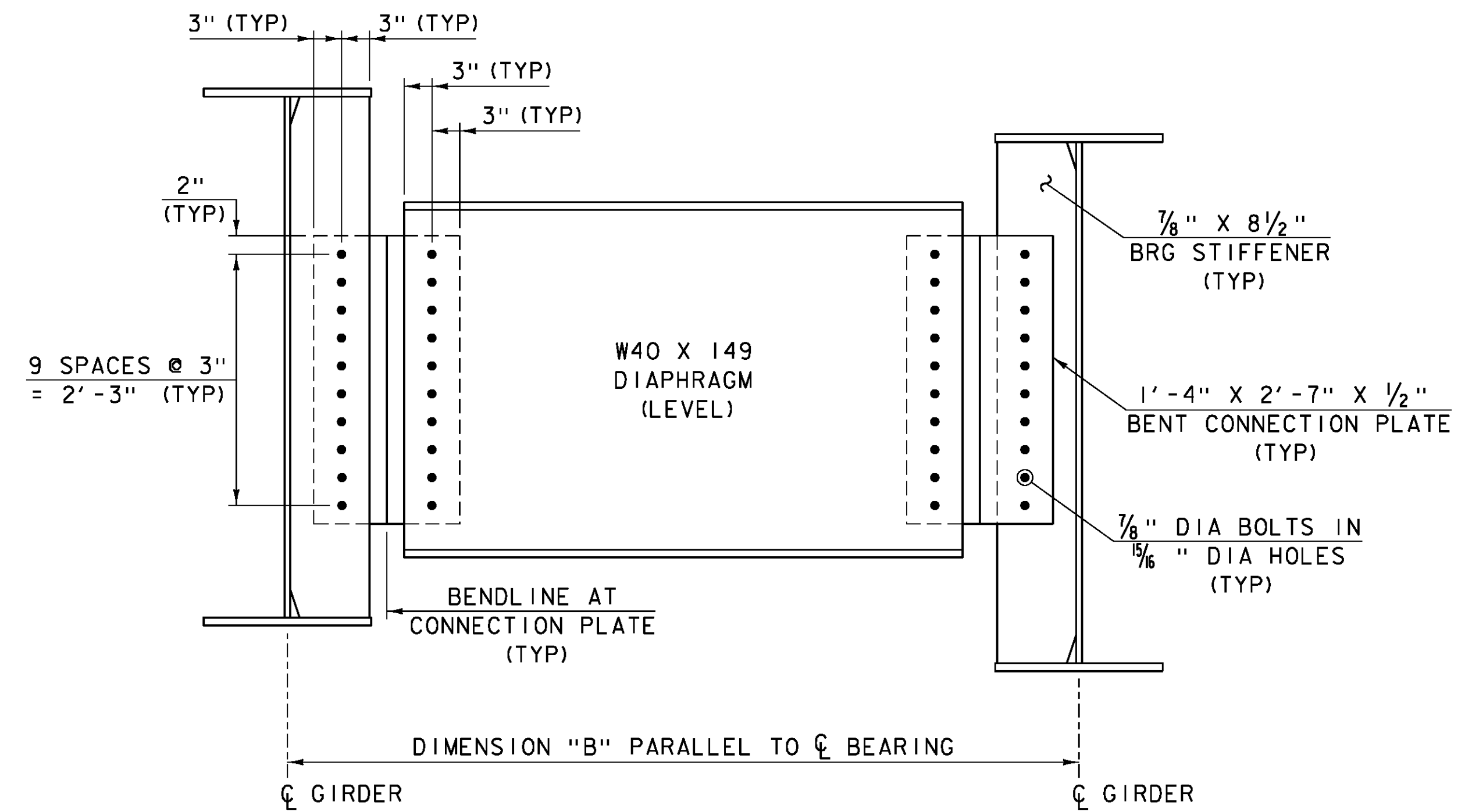


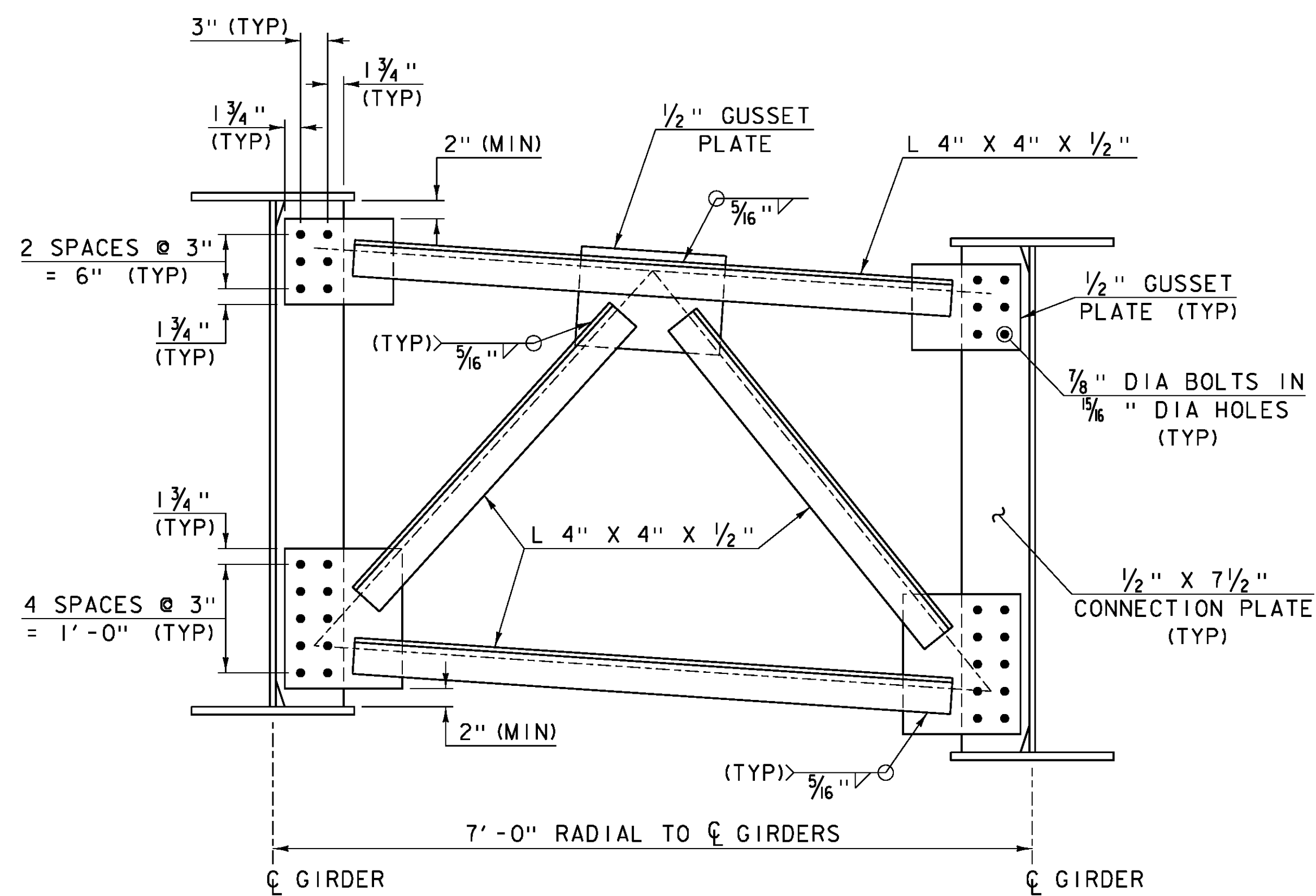
ABUTMENT NO. 1 CROSSFRAME

(LOOKING DOWNSTATION)
SCALE: 1" = 1'-0"



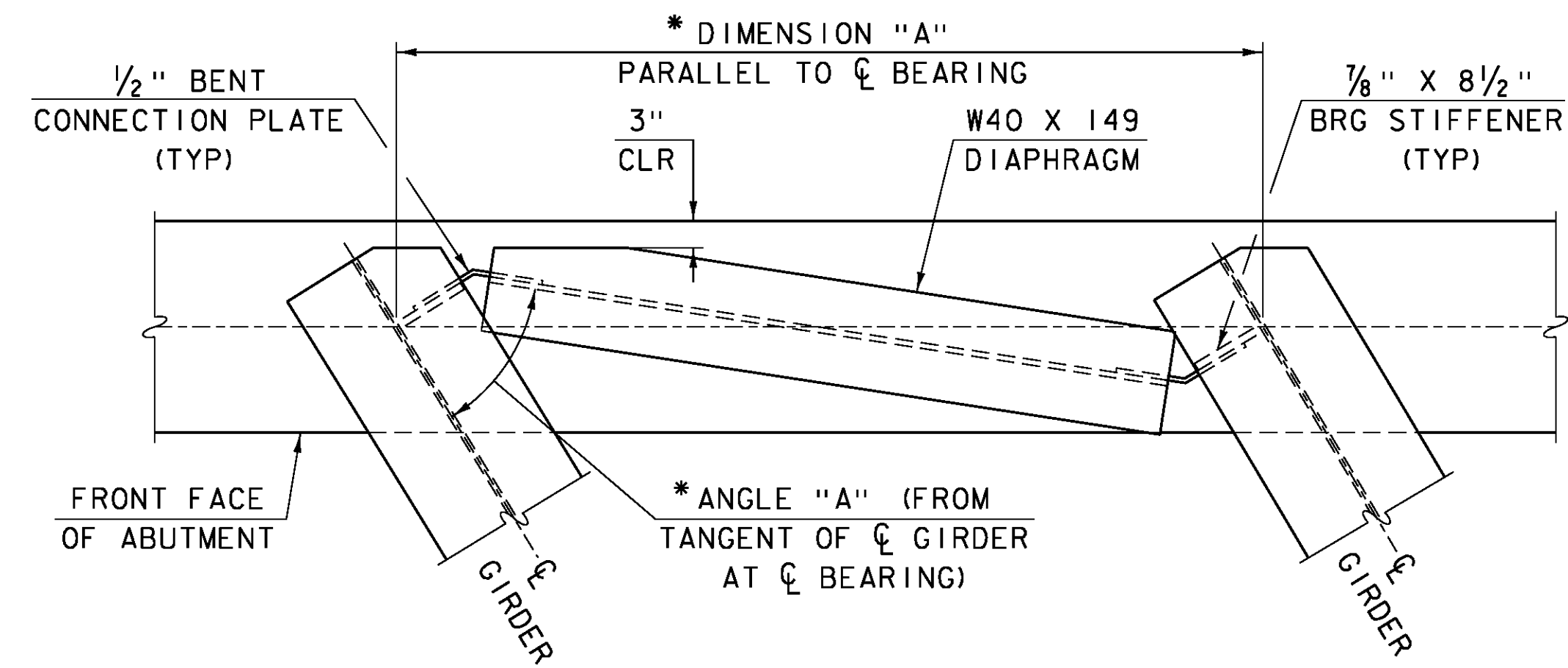
ABUTMENT NO. 2 CROSSFRAME

(LOOKING UPSTATION)
SCALE: 1" = 1'-0"



INTERMEDIATE CROSSFRAME

(LOOKING UPSTATION)
SCALE: 1" = 1'-0"



PLAN VIEW ABUTMENT NO. 1 CROSSFRAME

SCALE: 3/4" = 1'-0"
(ABUTMENT NO. 2 SIMILAR)

* DIMENSION "B" & ANGLE "B" FOR ABUTMENT NO. 2

CROSSFRAME TABLE

GIRDERS	DIMENSION "A"	ANGLE "A"	DIMENSION "B"	ANGLE "B"
1 - 2	8' - 0 7/8"	51° 11' 42"	7' - 1"	77° 15' 45"
2 - 3	8' - 1 5/8"	50° 22' 15"	7' - 1"	77° 00' 41"
3 - 4	8' - 2 7/16"	49° 30' 30"	7' - 1 1/16"	76° 44' 44"
4 - 5	8' - 3 5/16"	48° 49' 52"	7' - 1 1/8"	76° 28' 19"

NOTES:

SEE SD-602.00 FOR WELD TERMINATION AND COPING DETAILS.

SEE SD-602.00 FOR WELD LOCATION DETAIL AT CROSSFRAMES.

PROJECT NAME: ROYALTON
PROJECT NUMBER: BRS 0147 (13)

FILE NAME: \BR 28\86e055sup_28.dgn PLOT DATE: 08-OCT-2013
PROJECT LEADER: C. CARLSON DRAWN BY: G. ROY
DESIGNED BY: D. PETERSON CHECKED BY: D. PETERSON
BRIDGE 28 CROSSFRAME DETAILS SHEET 113 OF 186