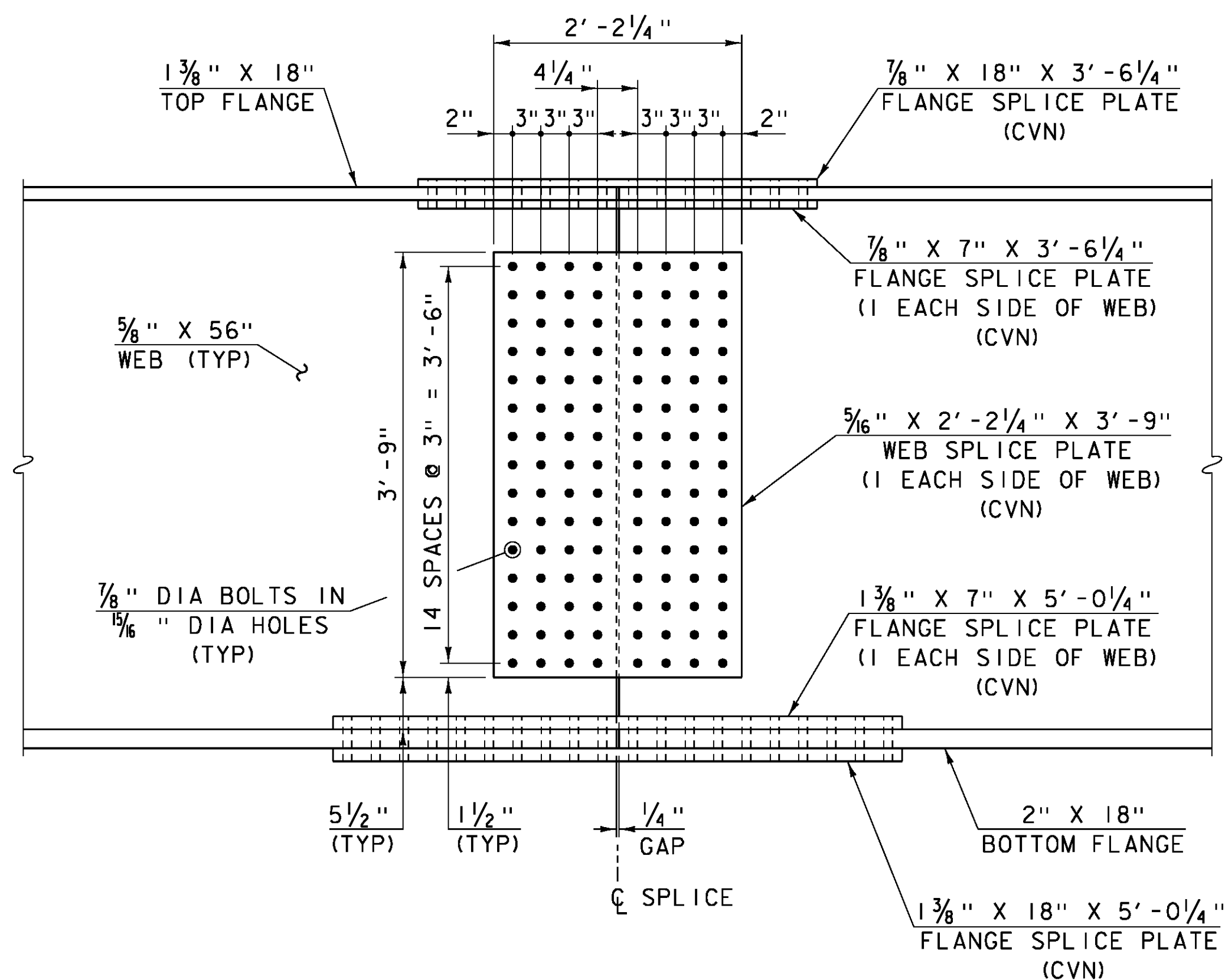


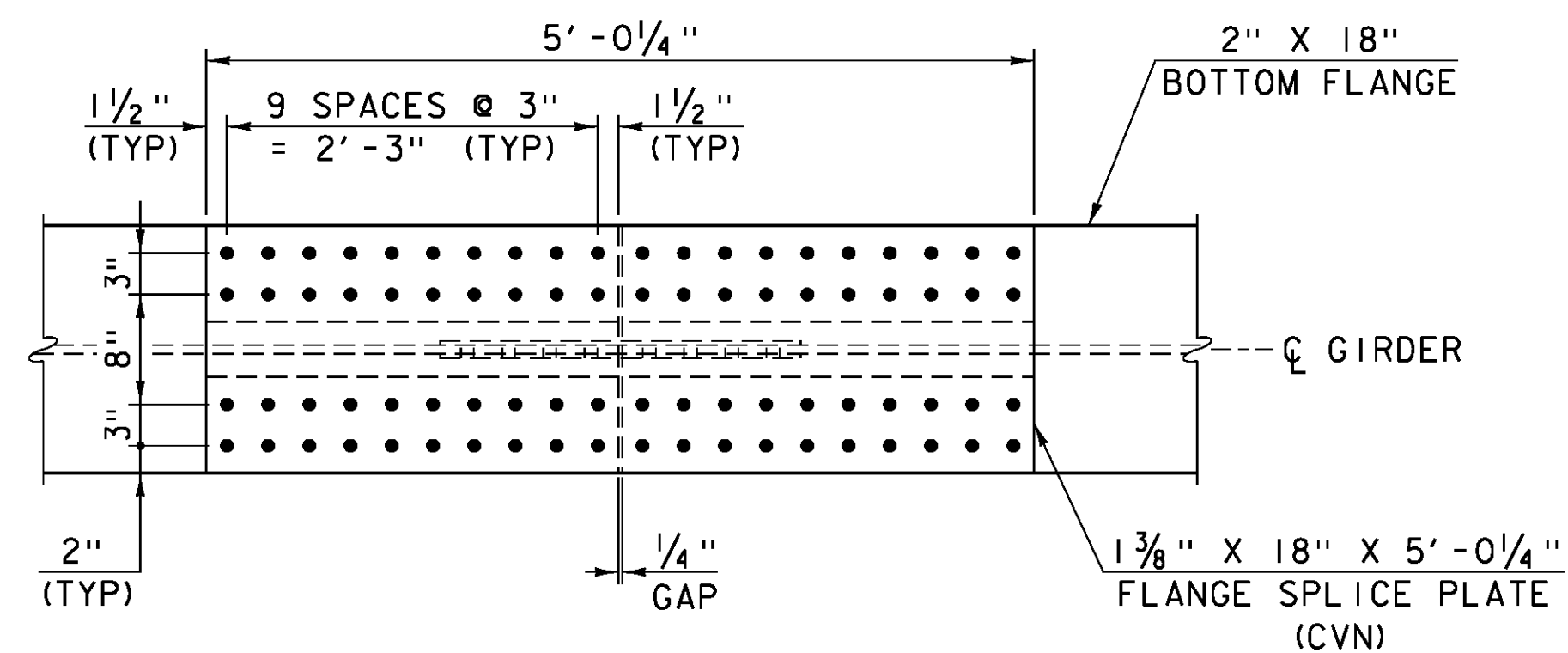
GIRDERS 1 & 2 TOP FLANGE PLAN

SCALE: 1" = 1'-0"



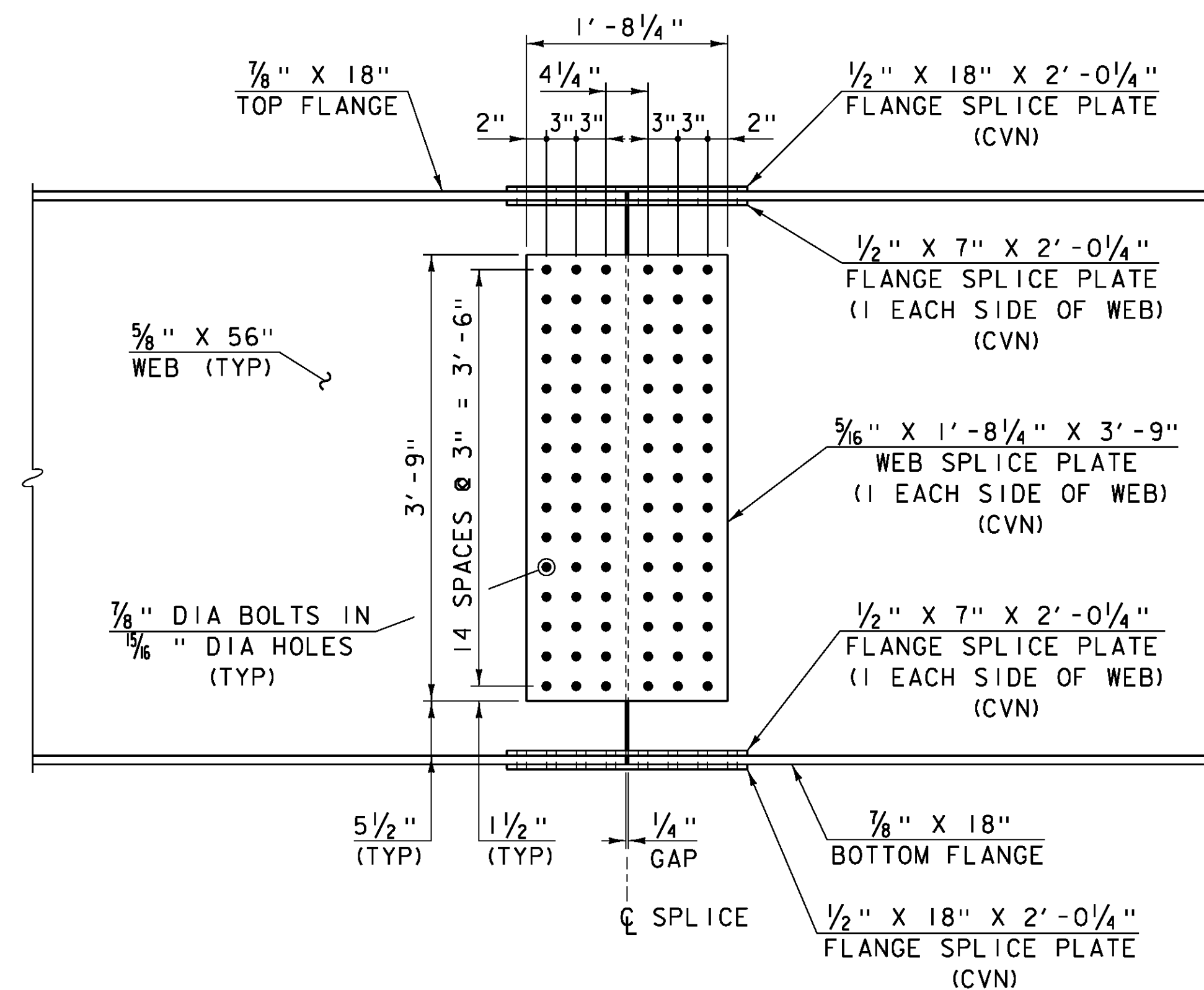
GIRDERS 1 & 2 WEB ELEVATION

SCALE: 1" = 1'-0"



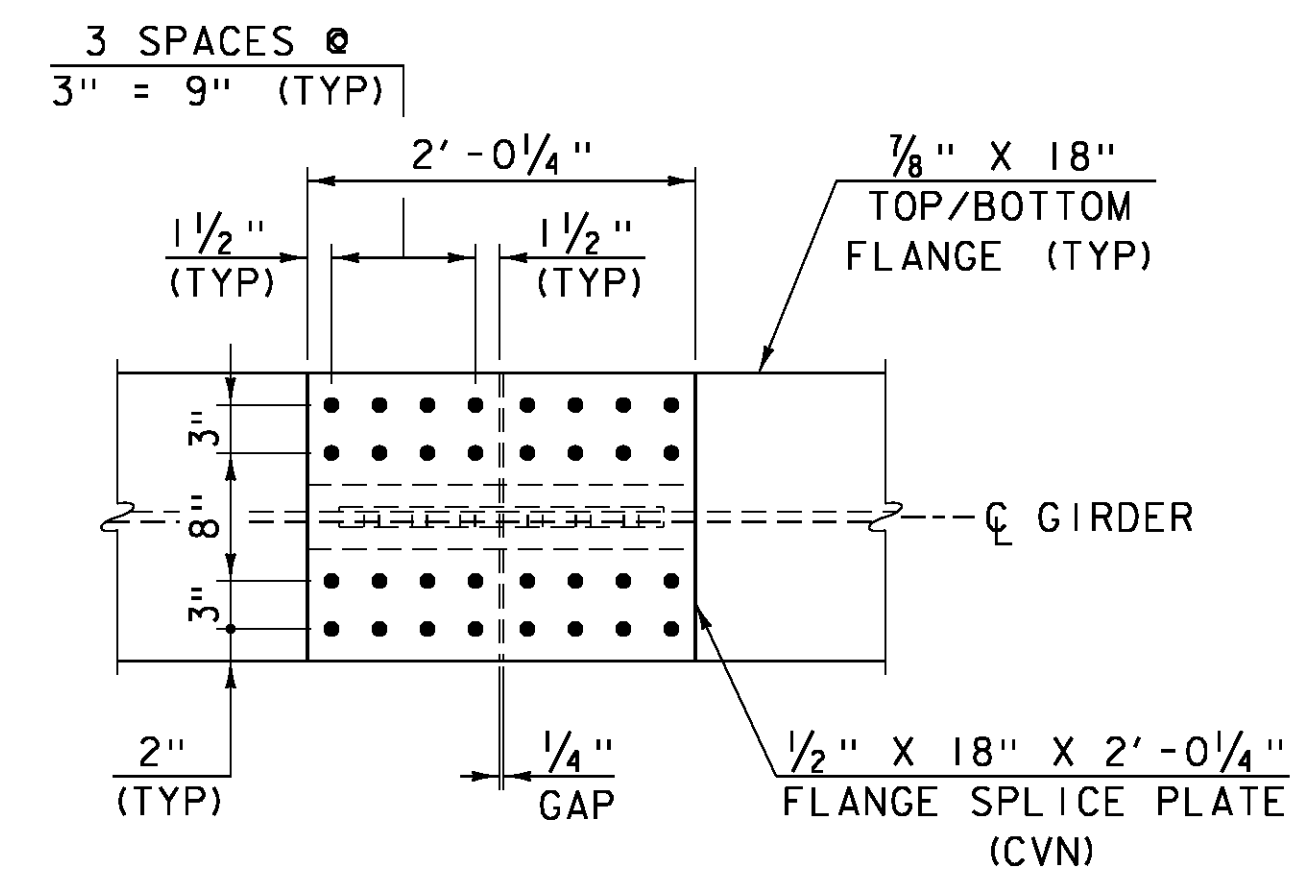
GIRDERS 1 & 2 BOTTOM FLANGE PLAN

SCALE: 1" = 1'-0"



GIRDERS 3-5 WEB ELEVATION

SCALE: 1" = 1'-0"



GIRDERS 3-5 TOP/BOTTOM FLANGE PLAN

SCALE: 1" = 1'-0"

NOTES:

CVN - SHALL MEET CHARPY V-NOTCH REQUIREMENTS FOR MAIN MEMBERS AS INDICATED IN SECTION 714.

ALL STEEL SHALL BE AASHTO M 270M/M 270, GRADE 50W.

PROJECT NAME: ROYALTON
PROJECT NUMBER: BRS 0147 (13)

FILE NAME: \BR 28\86e055sup_28.dgn
PROJECT LEADER: C. CARLSON
DESIGNED BY: D. PETERSON
BRIDGE 28 GIRDER SPLICE DETAILS

PLOT DATE: 08-OCT-2013
DRAWN BY: G. ROY
CHECKED BY: D. PETERSON
SHEET 112 OF 186