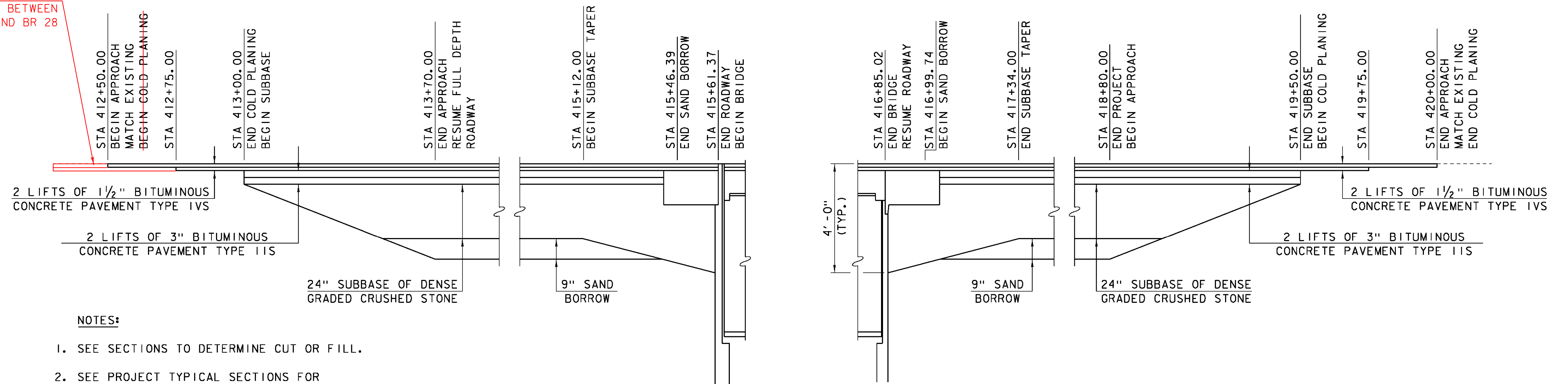


VT 14 BANKING DIAGRAM

HORIZONTAL SCALE: 1" = 20'-0"
 VERTICAL SCALE: 1" = 0.02' /'

CHANGE OF DESIGN #7
 ELIMINATED COLD PLANING
 ADDED PAVING BETWEEN
 BR 27 AND BR 28



NOTES:

1. SEE SECTIONS TO DETERMINE CUT OR FILL.
2. SEE PROJECT TYPICAL SECTIONS FOR ABUTMENT EARTHWORK DETAILS.

VT 14 MATERIAL TRANSITION DETAIL

HORIZONTAL SCALE: 1" = 20'-0"
 VERTICAL SCALE: 1" = 2'-0"

PROJECT NAME:	ROYALTON
PROJECT NUMBER:	BRS 0147 (13)
FILE NAME:	BR 28\86e055pro_28.dgn
PROJECT LEADER:	C. CARLSON
DESIGNED BY:	D. PETERSON
PLOT DATE:	08-OCT-2013
DRAWN BY:	G. ROY
CHECKED BY:	C. CARLSON
BRIDGE 28 VT 14 BANKING DIAGRAM AND MATERIAL TRANSITION SHEET 96 OF 186	