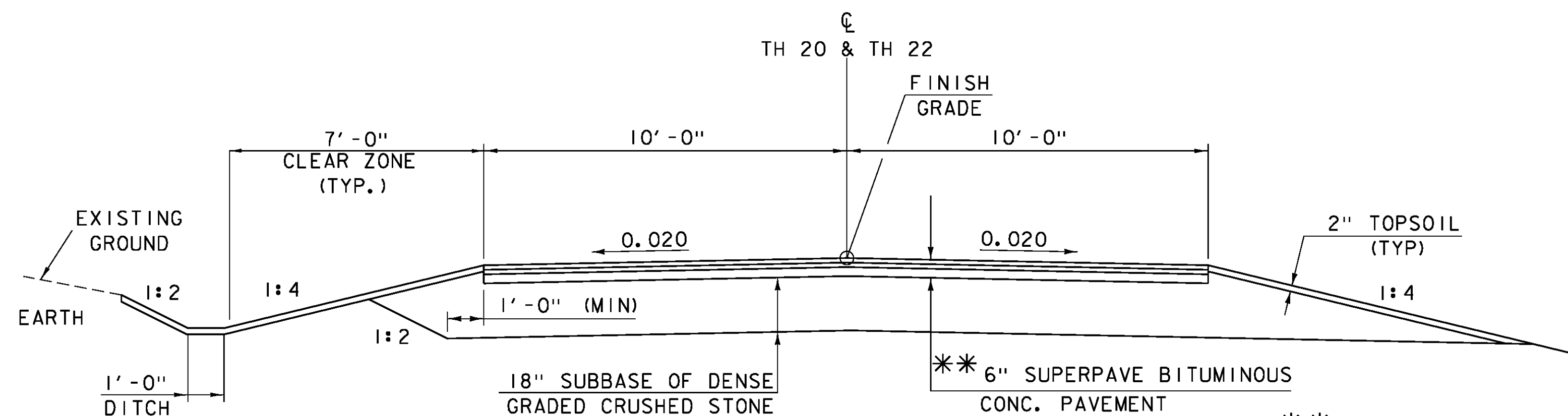
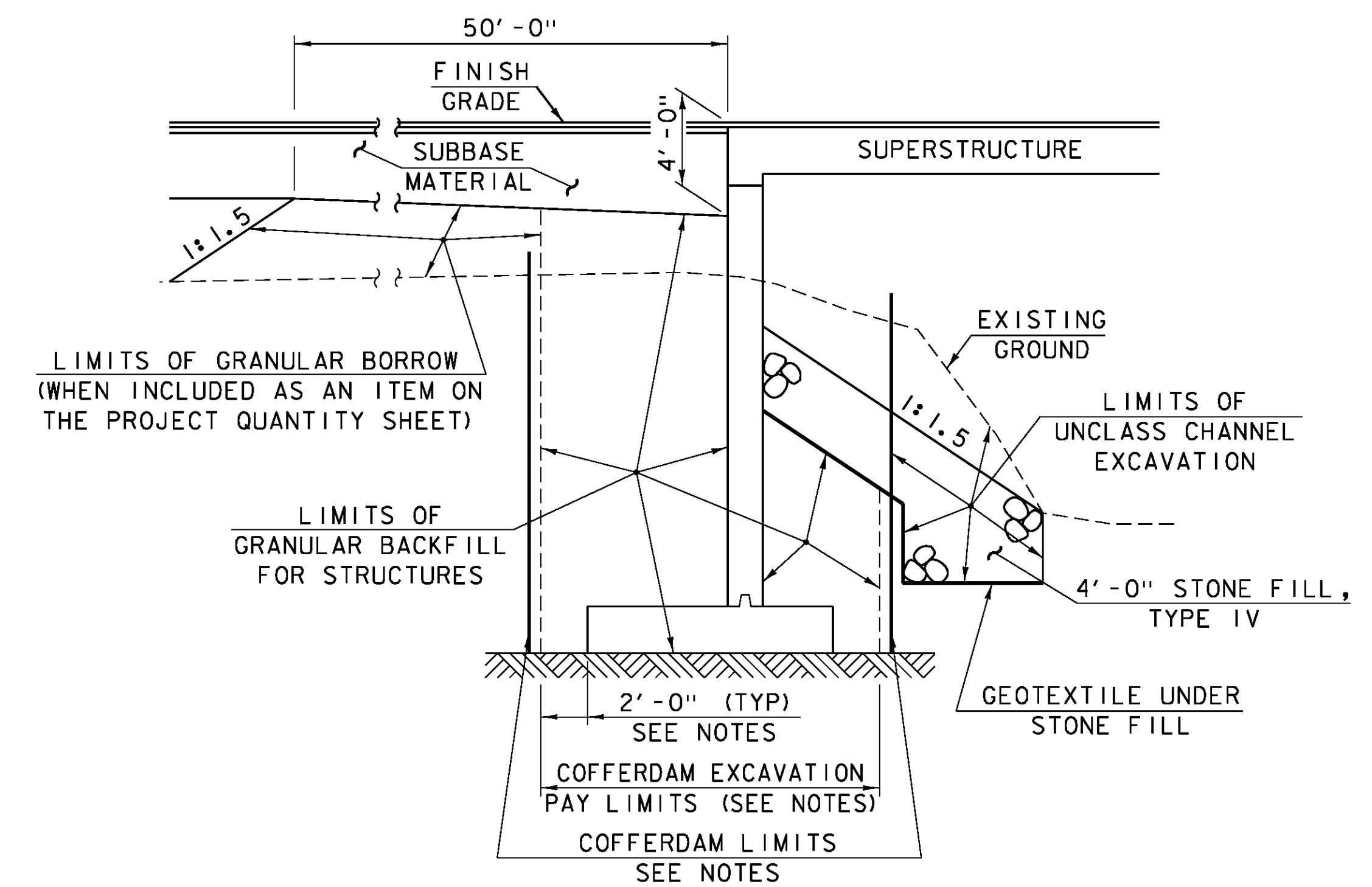
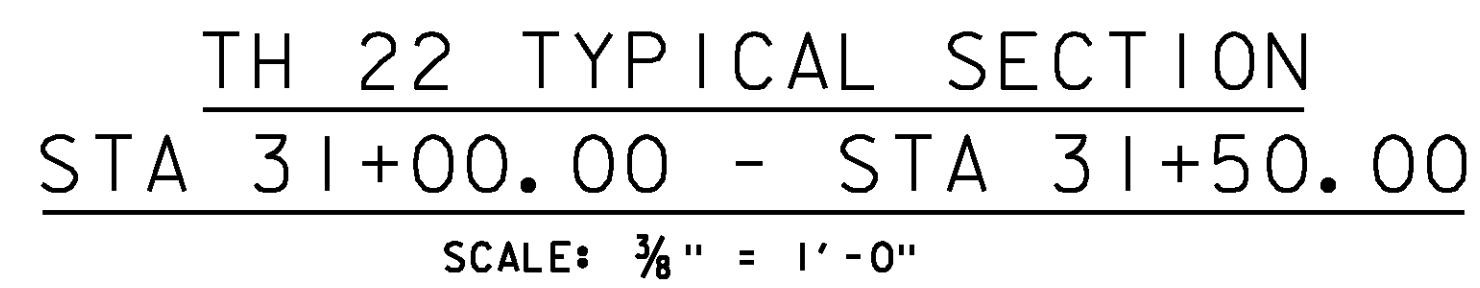
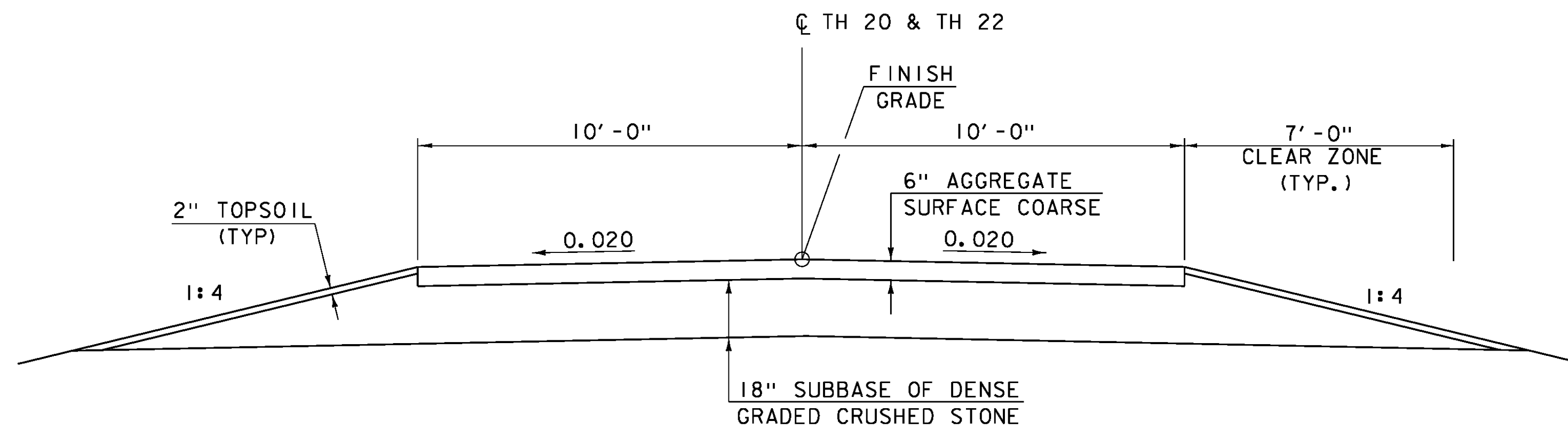


NOTES

1. COFFERDAM LIMITS TO BE DETERMINED BY THE CONTRACTOR.
2. THE PAY LIMITS OF "COFFERDAM EXCAVATION, EARTH" AND "COFFERDAM EXCAVATION, ROCK" SHALL BE 2'-0" OUTSIDE THE PERIMETER OF THE FOOTING, UP TO EXISTING GROUND OR BOTTOM OF SUBBASE, WHICHEVER IS LOWER.
3. IF A COFFERDAM IS CONSTRUCTED WHICH IS LARGER THAN THE INDICATED COFFERDAM EXCAVATION PAY LIMITS, PAYMENT FOR ALL UNCLASSIFIED CHANNEL EXCAVATION, INCLUDING THAT PORTION WHICH IS INSIDE THE COFFERDAM BUT OUTSIDE THE COFFERDAM EXCAVATION PAY LIMITS, WILL BE MADE AT THE CONTRACT UNIT PRICE FOR UNCLASSIFIED CHANNEL EXCAVATION.



PROJECT NAME:	ROYALTON
PROJECT NUMBER:	BRS 0147 (13)
FILE NAME:	BR 28\86e055typ.28.dgn
PROJECT LEADER:	C. CARLSON
DESIGNED BY:	D. PETERSON
BRIDGE 28 PROJECT TYPICAL SECTIONS (2) SHEET	89 OF 186
PLOT DATE:	28-OCT-2013
DRAWN BY:	G. ROY
CHECKED BY:	C. CARLSON